

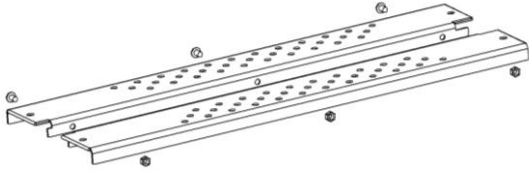
Mounting instruction Monitor Bracket

1a.

VESA (mm)

50x50, 75x75, 100x100*, 100x200*

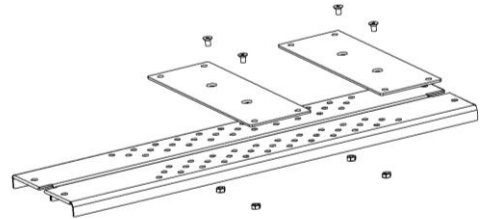
*Max allowed screw head height = 3,5mm



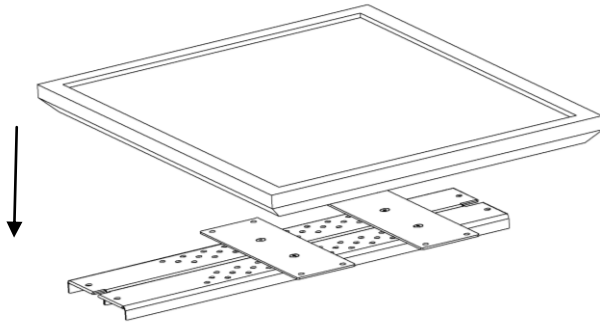
1b.

VESA (mm)

200x100, 200x200

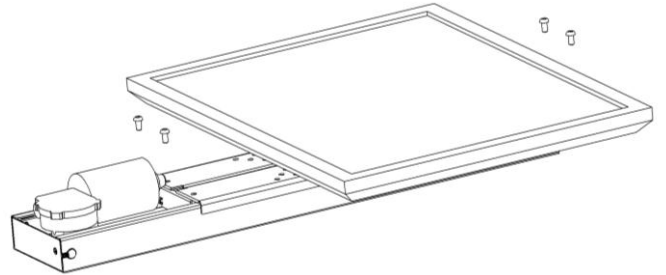


2.



Screws not included

3.



4.

