

## INSTALLATION INSTRUCTIONS

### CONTENT:

1. Important safety instructions.
2. Specifications and main dimensions.
3. Parts included.
4. Installation.
5. Adjusting the stroke length of the lift.
6. Declaration of conformity.



### WARNING

**WARNING:** FAILURE TO COMPLY WITH OR OBSERVE ALL ASSEMBLY, SAFETY AND OPERATION INSTRUCTIONS AND WARNINGS REGARDING THE USE OF THIS PRODUCT MAY RESULT IN SERIOUS BODILY INJURY.

# Electric TV Lift, 405070090 & 405000090

## 1. Important safety Instructions.

**CAUTION: Before you begin any of the Installation procedures (4. Installation.), read and follow the warnings and safety instructions on this page.**

**WARNING ! THIS IS NOT A TOY !**

**WARNING ! CHILDREN SHOULD NOT OPERATE LIFT OR  
REMOTE CONTROL !**

Use the following safety guidelines to help protect your lift from potential damage and to ensure your own personal safety.

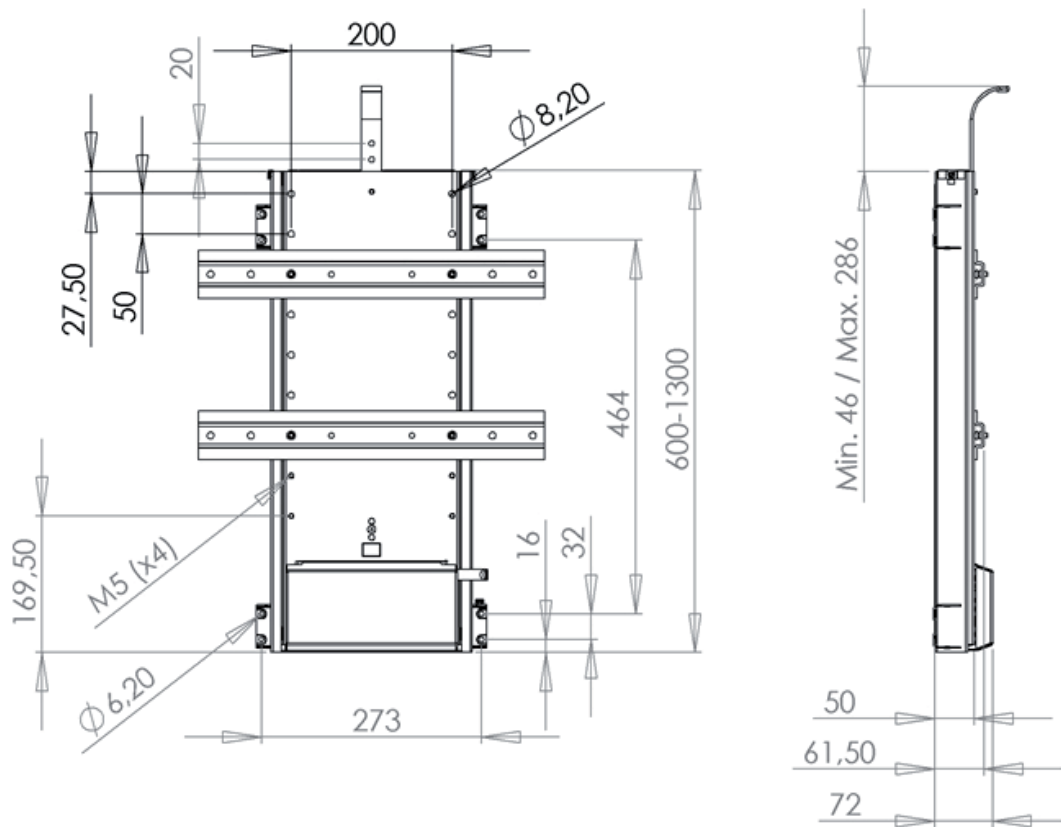
- Read all the installation instructions before testing or installing your lift.
- Read and follow all safety instructions.
- Keep remote control and manual rocker switch out of reach of children.
- To prevent bodily injury keep hands and clothing away from the lift while the lift is in operation.
- Before installing the lift or working with its connections, unplug the lift from the electricity main supply.
- Do not install the lift, power supply or R.F. module in places subject to high temperatures for example near a radiator, or heating vent.
- The TV lift must only be mounted in a dry area and it must be ensured before use that the lift is safe or protected from liquid contact or spillage.
- To avoid damaging the power supply, R.F. module and power cord, do not put anything on it or place it where it could become damaged.
- Unplug the lift in the following conditions:
  - When the power cord or plug is damaged or frayed.
  - If the lift, power supply or RF module has been exposed to rain or water or any liquid contamination whatever.
  - If the lift exhibits a distinct change in performance, indicating a need for attention.
- MANUFACTURERS who build this lift into other products or use it with other products, MUST make sure to prevent bodily injury. The MANUFACTURER of the final product is responsible to give the end user proper warnings and instructions for use.

# Electric TV Lift, 405070090 & 405000090

## 2. Specifications and main dimensions.

<b>Materials and weights:</b>	Steel, black powder coated - Weight ~ 17/23 kg
<b>Max. working loads:</b>	65 kg (by standard installation) 29 kg (when lift is mounted upside down) 100 kg peak load
<b>Duty cycle:</b>	10% by 50% of working load or max 2 min. continuously
<b>Operation:</b>	Remote and rocker switch
<b>Voltage:</b>	100-240 VAC / 50/60Hz
<b>Standby Consumption:</b>	< 1 Watt
Above specifications may vary depending on local temperature, humidity and input voltage.	

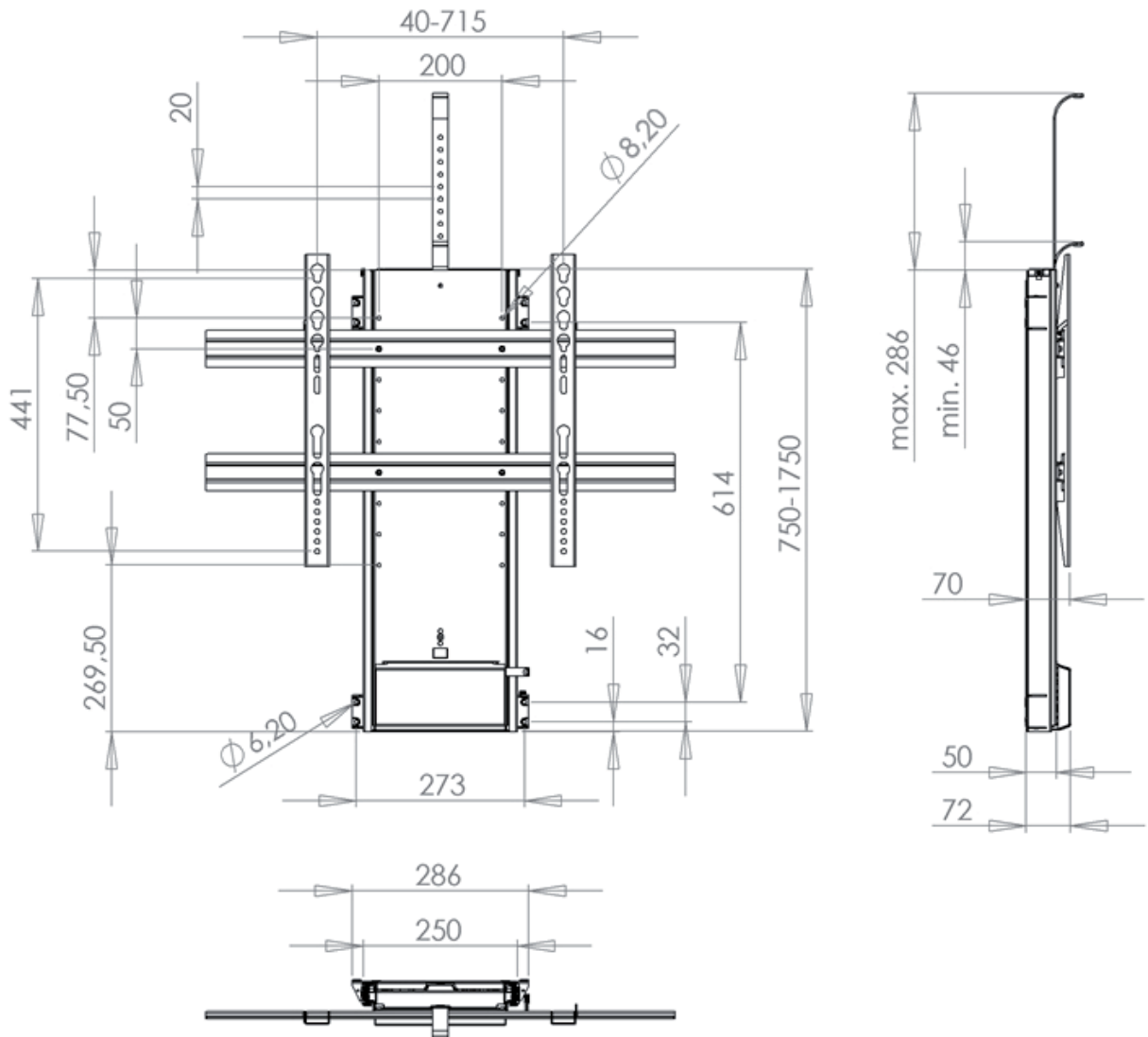
### Main dimensions, 405070090 [mm]:



**VESA, 405070090 :**  
 400x400, 400x200, 400x100  
 300x300 (see venset.com for  
 mounting instruction)  
 200x200, 200x100  
 100x100

# Electric TV Lift, 405070090 & 405000090

Main dimensions, 405000090 [mm]:



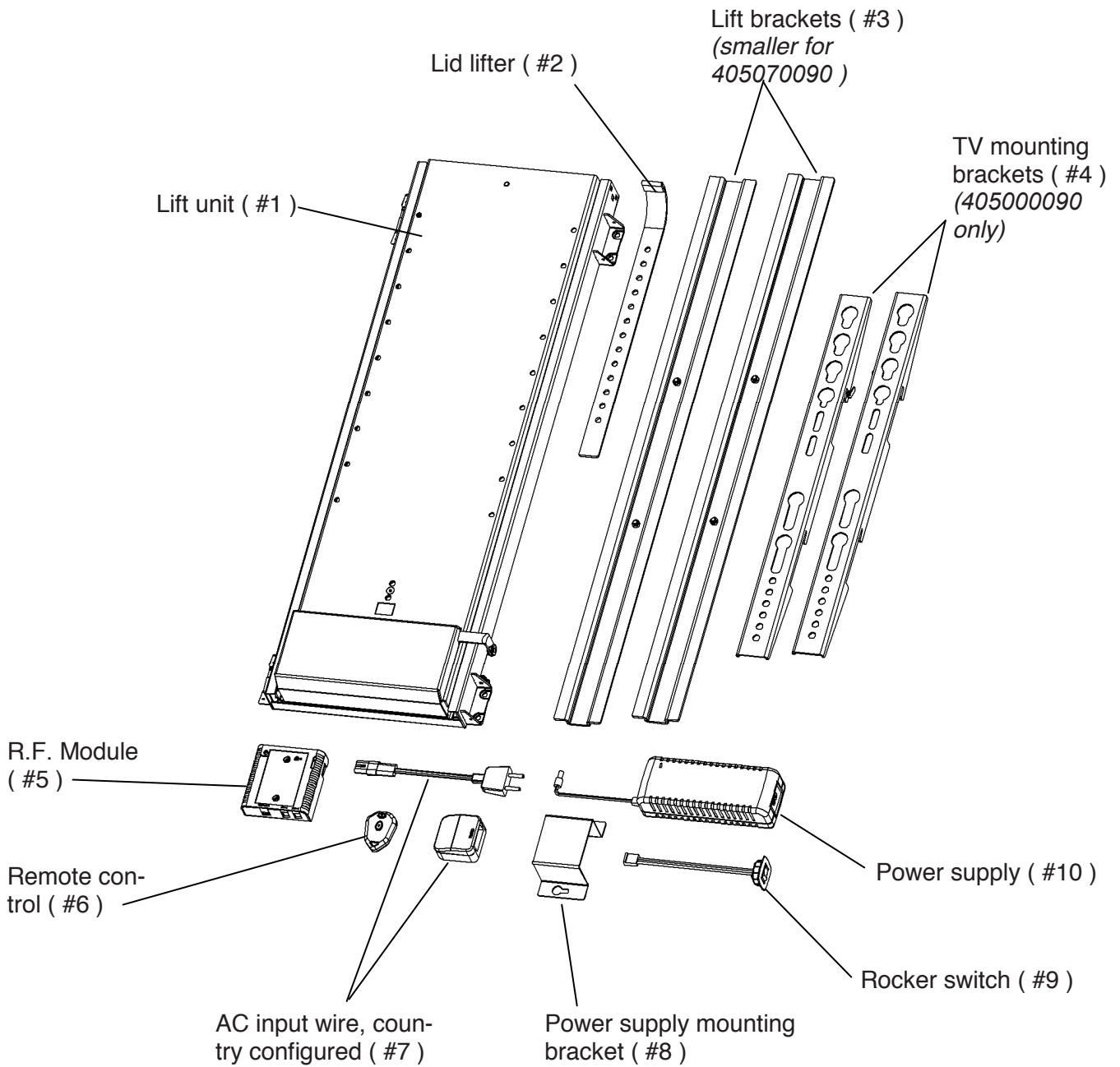
**VESA. 405000090 :**

600x400, 600x200, 600x100  
400x400, 400x200, 400x100  
300x300, 200x200, 200x100

# Electric TV Lift, 405070090 & 405000090

## 3. Parts included.

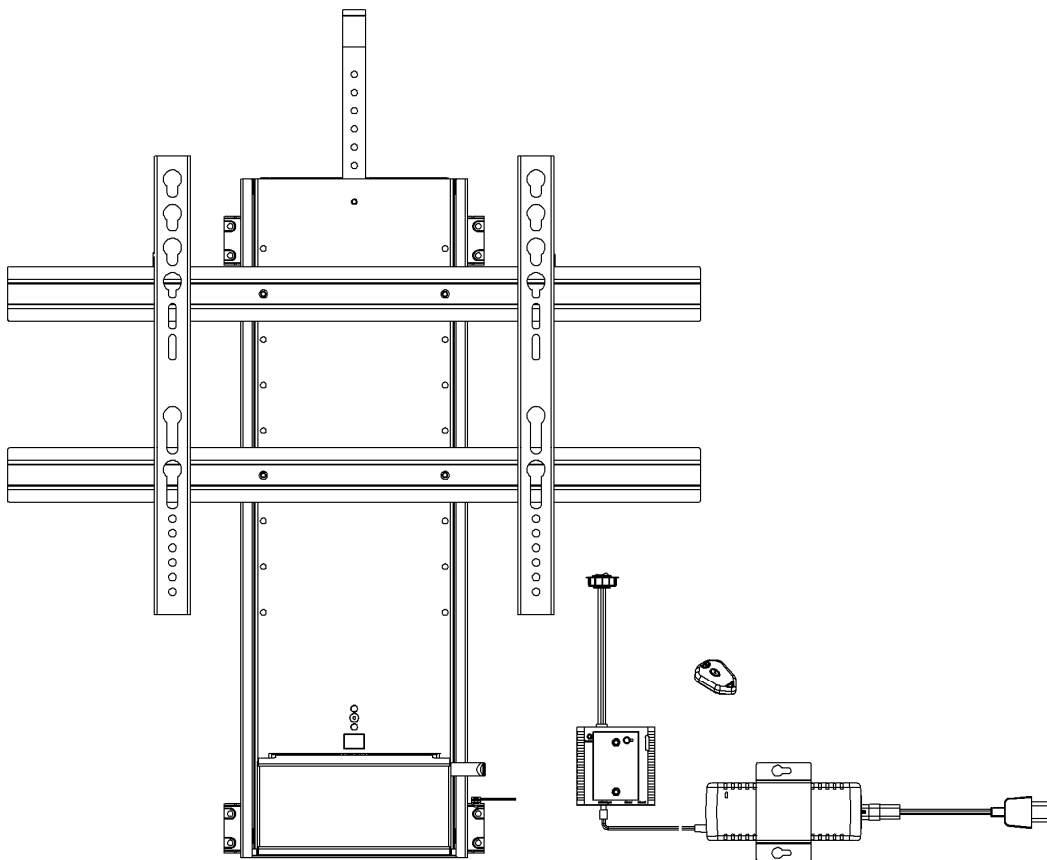
- Lift unit ( #1 )
- Lid lifter ( #2 )
- Lift brackets ( #3 )
- TV mounting brackets ( #4 ) (405000090 only)
- R.F. Module ( #5 )
- Remote control ( #6 )
- AC input wire, country configured ( #7 )
- Power supply bracket ( #8 )
- Rocker switch ( #9 )
- Power supply ( #10 )



# Electric TV Lift, 405070090 & 405000090

## 4. Installation.

- 1) Remove all contents from packaging and compare with parts list.
- 2) Place the lift unit (#1) on e.g. the back panel of the cabinet\*\* in a location that will allow full up and down movement of the lift.
- 3) Fasten the unit securely to the cabinet. Screws must be appropriate for the material being used.
- 4) Connect the plugs from lift unit (#1) and power supply (#10) to R.F. Module (#5). Please also refer to the separate user instruction for the remote unit, next page.



- 5) Mount rocker switch (#9) in an easy location by cutting a  $\varnothing 30$  hole and pressing the switch into place. Secure excess wire to keep away from moving parts.
- 6) Plug the power cord into main electrics and add minimum 5kg and operate manual rocker switch.

**Helpful hint:** Mount TV lift and electronics to plywood panel and attach to inside back of cabinet using appropriate number of screws. This allows all components to be removed from the cabinet if necessary. If this is not possible, create an access panel to the electronics.

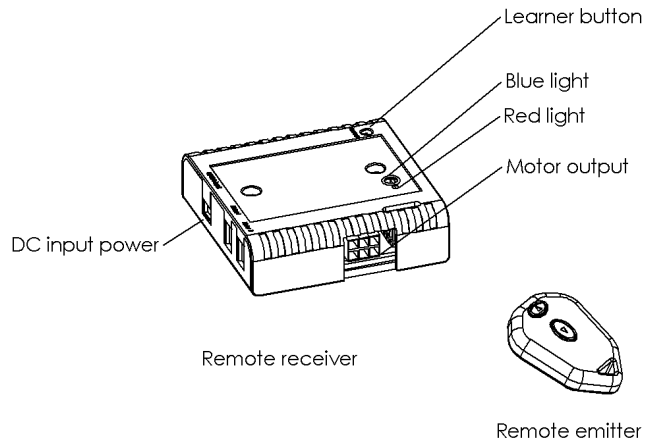
\*\* Aim to create access for wear and tear replacement stroke service.

# Electric TV Lift, 405070090 & 405000090

## User instruction, RF remote system

### Installation

- connect the power supply and the motor unit to the remote receiver. 2 different plug sizes make this connection only possible to make in the right way
- after having connected the plugs, the blue light will be lit
- push the emitter buttons and the motor unit will move up and down
- for stopping the motion one of the buttons need to be pushed



### Learning

- if the remote receiver does not respond when pushing the emitter buttons, reset the receiver. After that, code the emitter and receiver together again

### Coding

- push the learner button on the receiver for less than 1 sec.
- push one of the emitter buttons
- the red light will start flashing
- push one of the emitter buttons again and the red light will turn off
- the units now are coded together with a unique code

### Reset

- push and hold down the learner button on the receiver for 10 sec. (will be reset when the red light turns off).

### External rocker switch

- the external rocker switch can be connected to the receiver, if a fixed operation unit is required.

### Trouble shooting

- check the plug connections
- check whether the blue light is on
- reset the receiver and make a new coding
- always test the lift on the manual rocker switch

# Electric TV Lift, 405070090 & 405000090

## Setting options for operation of lift

This remote system has 4 'jumpers' inside the remote receiver box, these can be lifted and positioned 'Left' or 'Right' depending of how the functionality of the lift should be.

**Jumper A – Power safety cut off time**

Default 'Left' = 60 seconds. If moved to right position then the lift will power off automatically after the motor has run for 20 seconds.

**Jumper B – Remote emitter function**

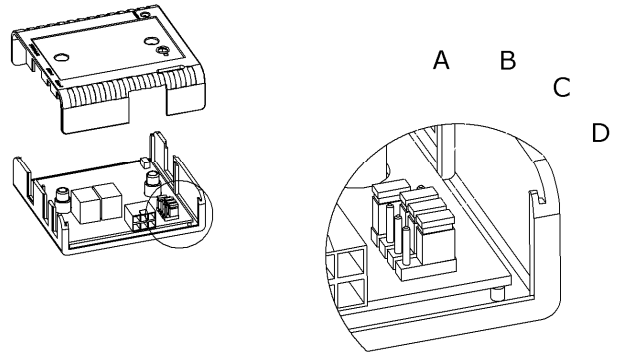
Default 'Right' = the buttons on the emitter only need to be pushed once for activation. If moved to the left position then the emitter button will need to be held down during the operation of the lift, ie..for use where a higher level of safety may be required.

**Jumper C – Auto-reverse time (type A lifts only)**

Default 'Right' = a reverse period of 1 second. If moved to the left position, the reverse time is reduced to 0.6 of a second.

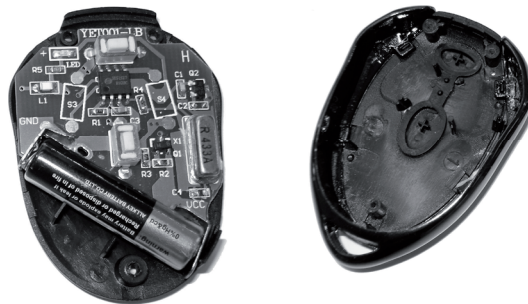
**Jumper D – Using the lift upside down (type A lifts only)**

Default 'Right' = normal operation in an upright position ie.. to raise a TV up and down from a floor standing cabinet. If moved to the left position the reverse function will work with the lift mounted up-side down ie.. to lower down and up a TV from the bottom of a wall mounted cabinet. If no reverse function is required then remove the jumper.



## **Change of battery in emitter (battery type 27A/12V)**

- remove lid on back side
- lift up battery
- place new battery



Please be aware that storing emitter in environment with high humidity may damage the product.

## **FCC Statement**

This device complies with Part 15 of the FCC rules. Operation is subject to the following two conditions; 1) This device may not cause any harmful interference and 2) This device must accept any interference received, including interference that may cause undesired operation.



## Electric TV Lift, 405070090 & 405000090

### 5. Adjusting the stroke length of the lift.

#### **Adjusting the bottom stop:**

The bottom stop can be adjusted to any preferred height, e.g. if you don't want the lift to go all the way down into the cabinet. You can adjust just one or both end stops.

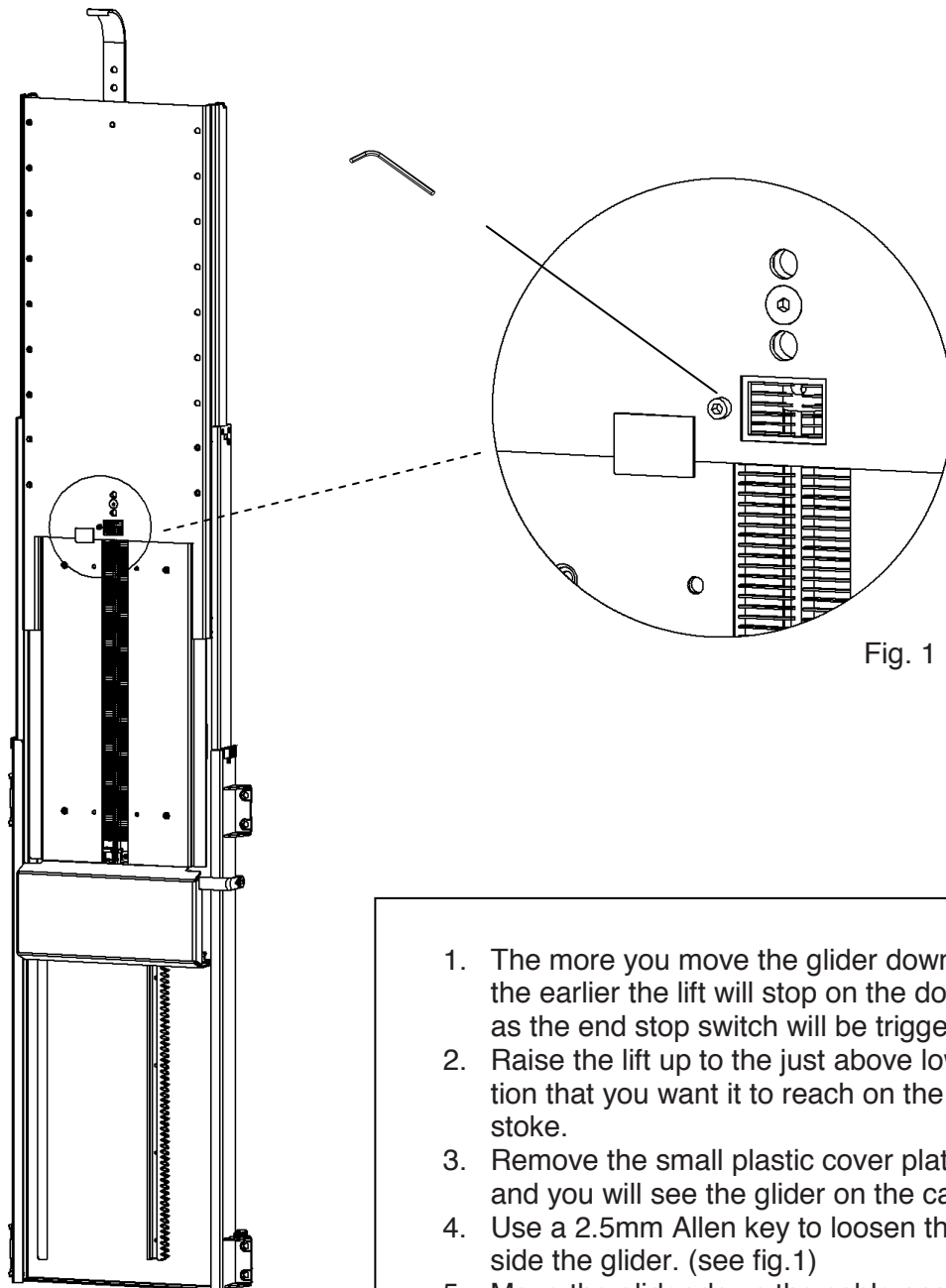


Fig. 1

1. The more you move the glider down the cable the earlier the lift will stop on the down stroke as the end stop switch will be triggered sooner.
2. Raise the lift up to the just above lowest position that you want it to reach on the down stroke.
3. Remove the small plastic cover plate (see fig.1) and you will see the glider on the cable.
4. Use a 2.5mm Allen key to loosen the screw inside the glider. (see fig.1)
5. Move the glider down the cable accordingly and tighten the screw securely.
6. Replace the plastic cover plate, the glider will no longer be in this window.
7. Test the lift fully up and down and check the desired bottom stop position is as you require.

## Electric TV Lift, 405070090 & 405000090

### Adjusting the top stop:

The top stop can be adjusted to any preferred height, e.g. if you don't want the lift to go all the way up out of the cabinet. You can adjust just one or both end stops.

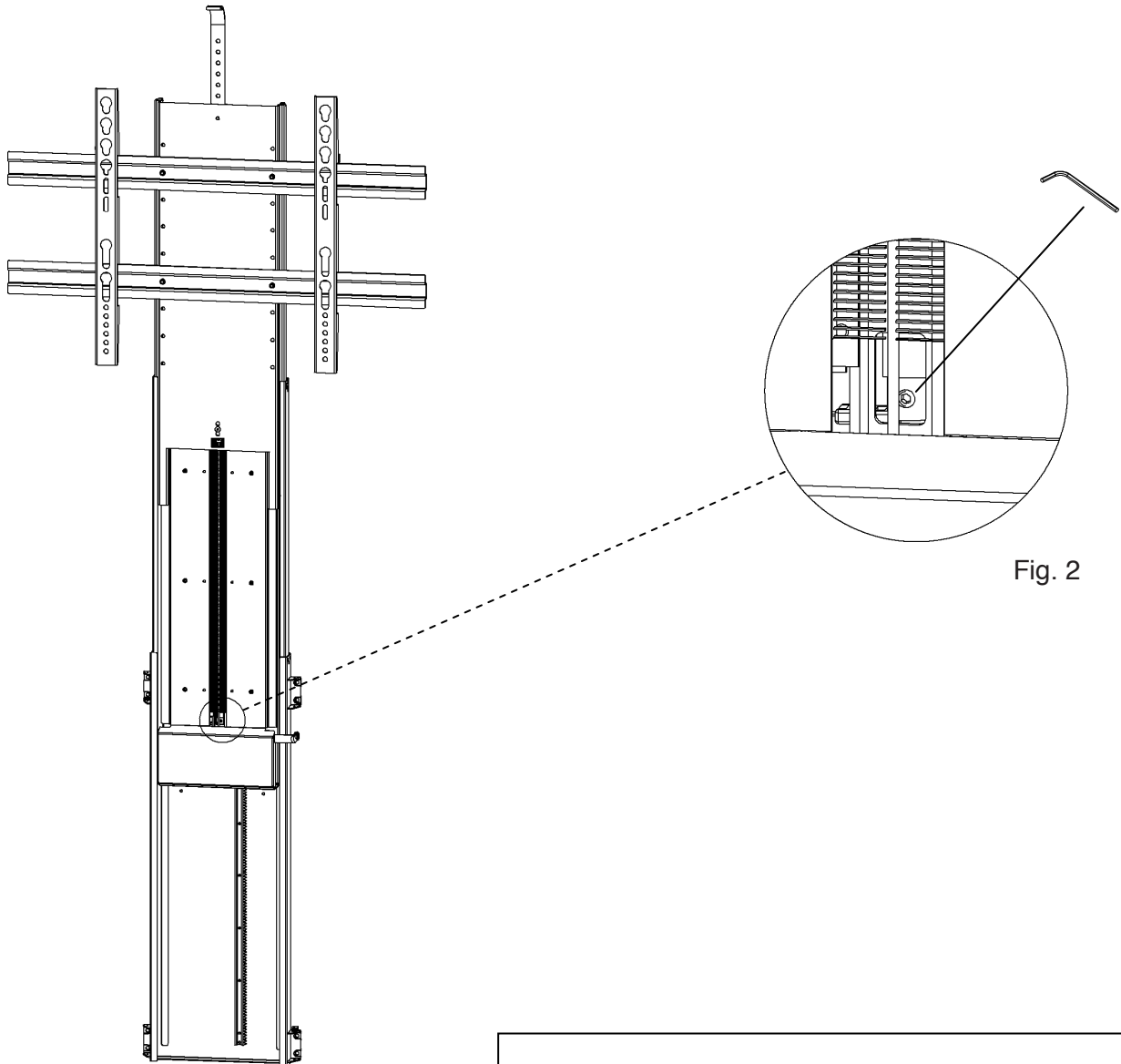


Fig. 2

1. The more you move the glider down the cable the earlier the lift will stop on the up stroke as the end stop switch will be triggered sooner.
2. Raise the lift up to full height.
3. You will see the glider on the cable below the nylon brushes (see fig.2)
4. Use a 2.5mm Allen key to loosen the screw inside the glider. (see fig.2)
5. Move the glider down the cable accordingly and tighten the screw securely.
6. Test the lift fully up and down and check the desired top stop position is as you require.