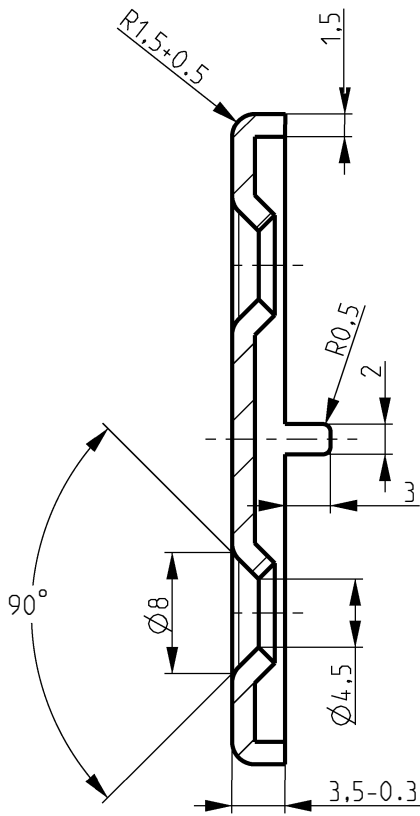
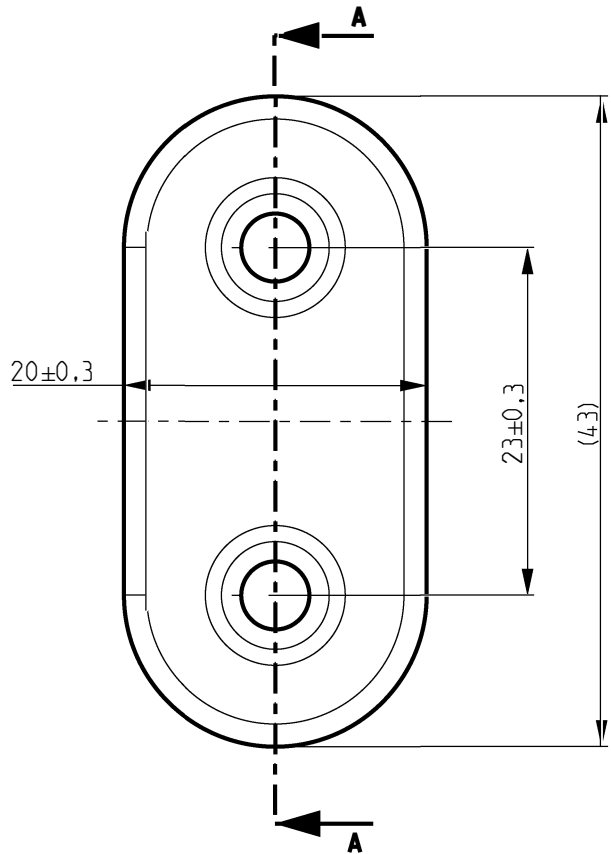


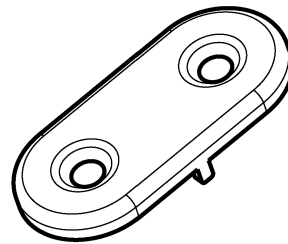
This drawing is covered by industrial and intellectual property rights and should, without written consent from TITUS, in no way be copied, reproduced or communicated for any other purpose other than that which has been agreed.



A-A



2:1



1:1

Notes

1. Material: HC 420 LA
2. 5 microns Nickel
3. Mass: 11.30g

Projekcije/ Projections				
Pomembne dimenzije Important dimensions				
GENERAL TOLERANCES ISO 2768 - mK				
from 0.5 up to 6	from 6 up to 30	from 30 up to 120	from 120 up to 400	
±0.1	±0.2	±0.3	±0.5	

PRODAJNA RISBA / SALES DRAWING

Kupec/
Customer: Generic

Naziv izdelka/
Product: Standard Jointing Plate

Customer
product name:

Koda izdelka/

Customer
Item number:

Risba/
Sales Drw: SD-0525

Verzija/
Revision: A.2

Customer ref.
drawing no.:

Verzija/
Revision:

Posodobil/
Updated by: Marko Vukelic

18-MAY-2016

Customer approval (Date, signature):

Pregledal/
Checked by: Valter Svava

18.05.2016

TITUS

Merilo/
Scale

2:1

Print size
A4