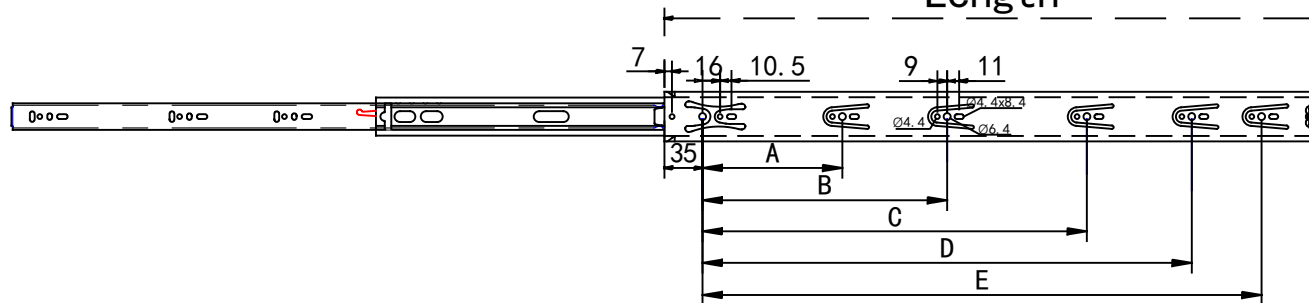


1 2 3 4 5 6 7 8

A

A

Length

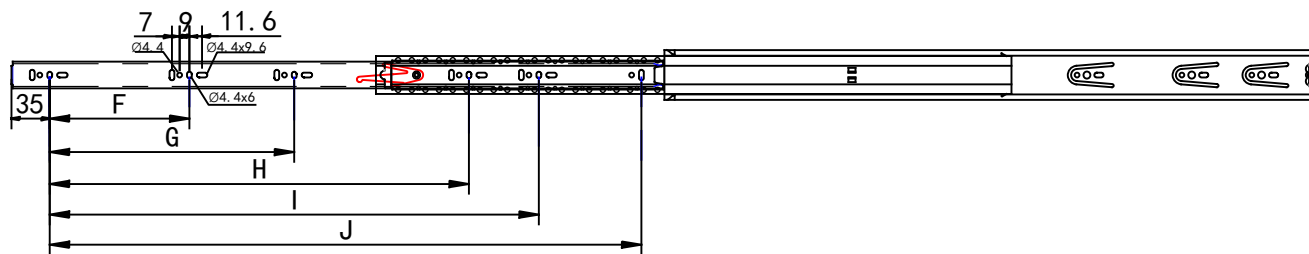


B

B

C

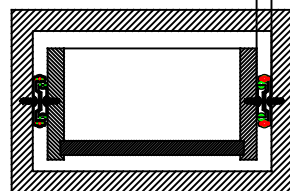
C



D

D

Installation Clearance:
12.7 (0, +0.8)



Item #	Length	A	B	C	D	E	F	G	H	I	J
304170400	400	128	224	320	-	-	128	-	-	-	342
304170450	450	128	224	352	-	-	128	320	-	-	392
304170500	500	128	224	352	416	-	128	192	352	-	442
304170550	550	128	224	352	448	-	128	224	416	-	492

E

E

No	DRAWING No	QTY	DIMENSIONS ARE IN mm		Richelieu Hardware	
1			TOLERANCES		RICHELIEU ITEM NUMBER	
2			FRACTIONAL ±		#304170	
3			ANGULAR: MACH BEND ±		SIZE	DWG. NO.
4			ONE PLACE DECIMAL ±		A	
5			TWO PLACE DECIMAL ±		DATE	REV.
6			MATERIAL:		2019.08.09	0.0
7			FINISH:		SHEET 1 OF 1	
8			WEIGHT (GR):			

F

F

1 2 3 4 5 6 7 8