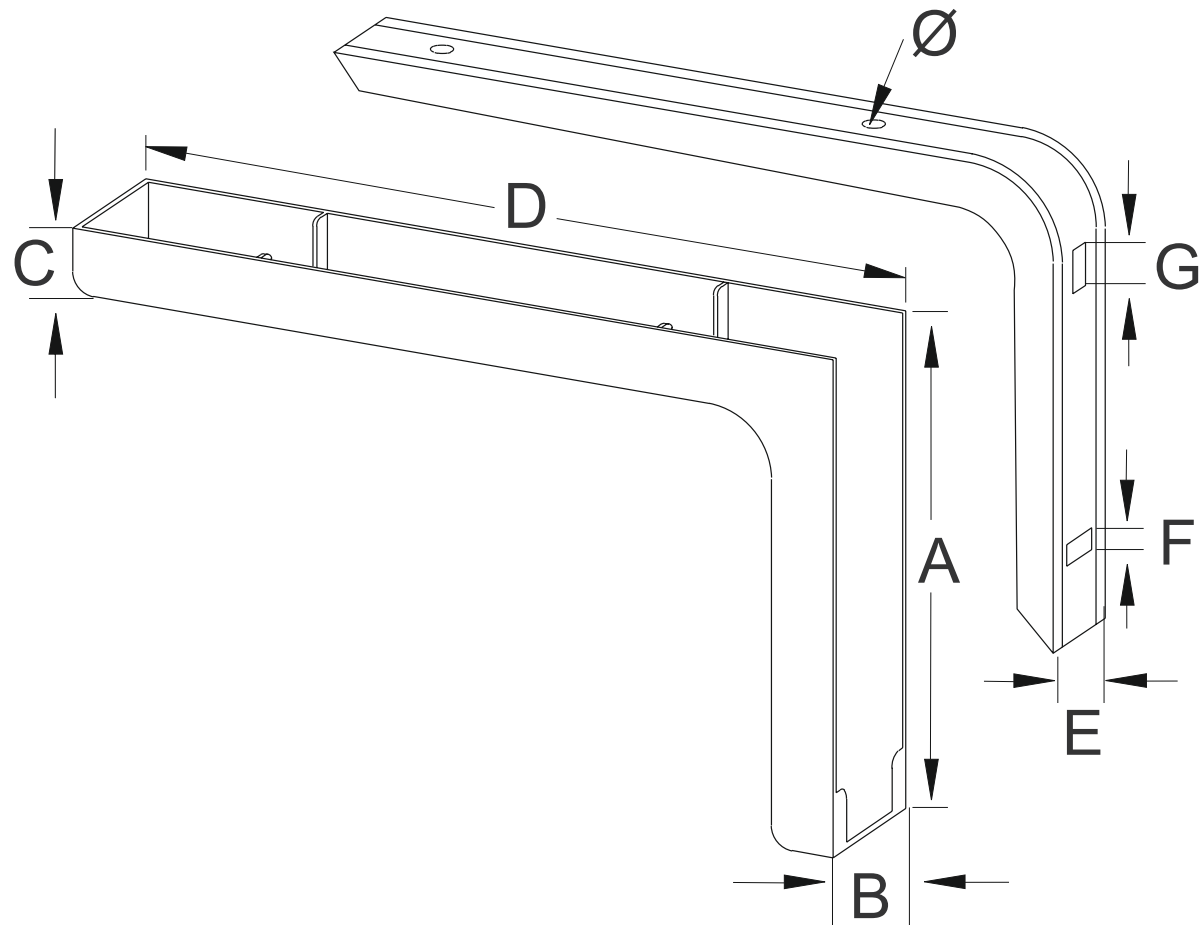


Art. 300Axx



A	B	C	D	E	F	G	Ø	materiale
mm	mm	mm	mm	mm	mm	mm	mm	<i>material</i>

144	36	14	240	25	5	10	5	<i>steel-plastic</i>
-----	----	----	-----	----	---	----	---	----------------------