

IMPORTANT

INSTALLATION INSTRUCTIONS FOR OMEGA INDUSTRIES, INC.'s METAL LINER AND DECORATIVE WOOD HOOD

Before installation may begin, the following components are required:

- Fan unit, part number 90026WHI1
- Blower unit, part number 90039WHI1
- Ducting System • Metal Liner • Decorative Wood Hood

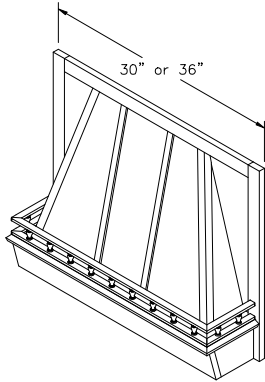


Figure 1

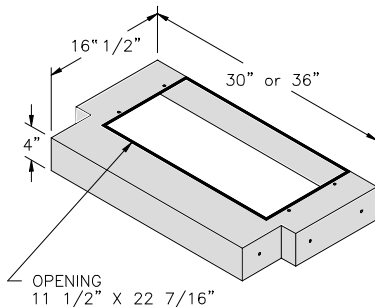


Figure 2

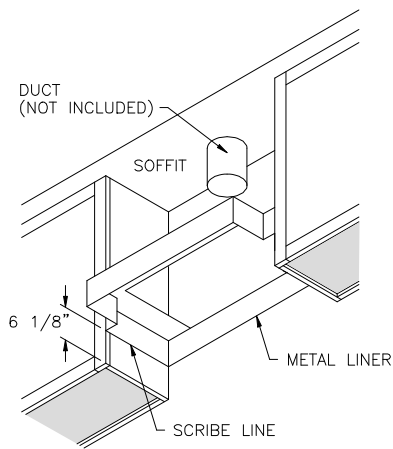


Figure 3

A. The Wood Hood is composed of three separate components:

1. The decorative Hood Front.
2. Optional galley rail (shipped unattached).
3. T-shaped Metal Liner, Figure 2.

NOTE: T-shaped liner shipped with unit as standard. Rectangular shaped metal liner available for on-site Wood Hood construction, Figure 4.

4. The ventilation system (power module and ducting system) is not included and must be purchased separately.

B. Installation: Metal Liner – T-Shaped, Figure 3

1. Measure up 6 1/8 from the bottom of adjacent cabinets. Scribe a level line horizontally across depth of both cabinets.
2. Raise Metal Liner so that bottom edge of liner is level with scribed lines. Use four (4) #8 x 1/2" screws provided to attach liner to adjacent cabinets through pre-drilled holes in liner. (If metal liner is not flush to cabinet sidewalls, it may be necessary to use a filler piece to avoid bowing the liner.) Locate studs and place two #8 x 1 1/4", supplied, through rear of liner.

C. Installation of Omega Industries, Inc.'s decorative Wood Hood:

1. Slide decorative hood front into position over T-Shaped liner and between adjacent cabinets. Install the hood front by adjoining to adjacent cabinets through the front frames using (4) #8 x 2 1/2" screws (not provided).

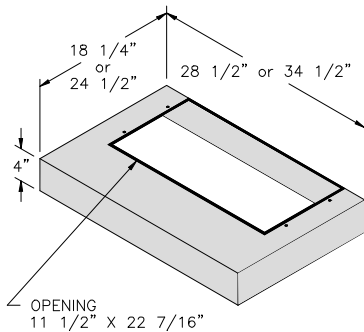


Figure 4

D. Installation – Galley Rail

1. An unattached optional Galley Rail assembly may be enclosed with the decorative hood front. The Galley Rail should be attached as shown in Figure 1. NOTE: All screw holes should be pre-drilled. Exercise caution if nailing to avoid damage.

E. Installation of Rectangular Metal Liner (Figure 4) (used for on-site construction of decorative Wood Hood)

1. Measure down 23 7/8" from top of adjacent cabinets. Scribe a level line horizontally across depth of both cabinets.
2. Place bottom edge of 3/4" x 4" x 11 1/4" long wood filler block along scribe line. Make sure filler block is tight against back wall, Figure 5.
3. Use four (4) #8 x 1" screws, supplied, and fasten the two wood filler blocks to adjacent cabinets.
4. Raise liner so bottom is level with scribed lines. Fasten liner to filler block by driving four (4) #8 x 1/2" screws, supplied, through pre-drilled holes (2 per side) in liner, Figure 6.
5. Locate studs and place #8 x 1 1/4" screws, supplied, through rear of liner into stud.

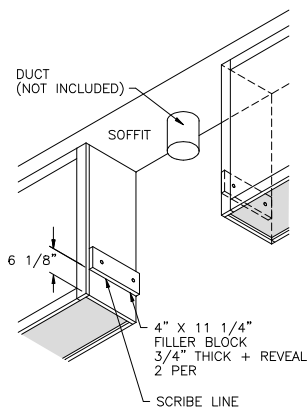


Figure 5

F. Installation of Power Units

90026WHI1 Fan Unit – see installation instructions enclosed with each Power Unit.

90039WHI1 Blower Unit - see installation instructions enclosed with each Power Unit.

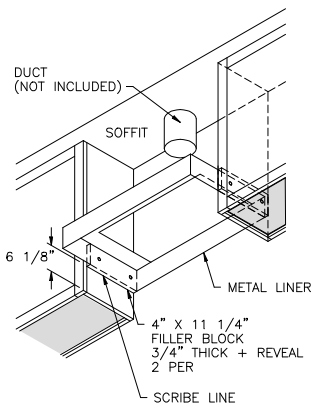


Figure 6

Source for all parts listed:

Your local distributor or: Omega Industries, Inc., 1010 Rowe Street,
Elkhart, IN 46516 • 574-295-5353 or 574-295-5329(fax)