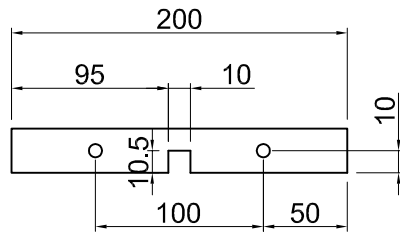
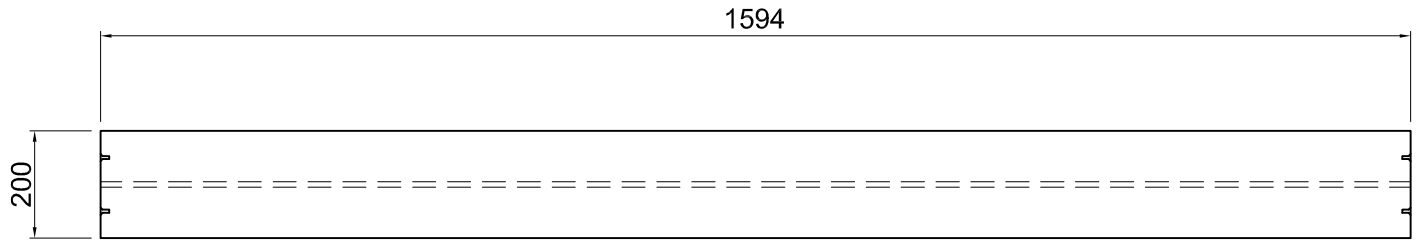


TROUS POUR TABLETTE HOLES FOR SHELF

Dimensions et trous Dimensions and holes

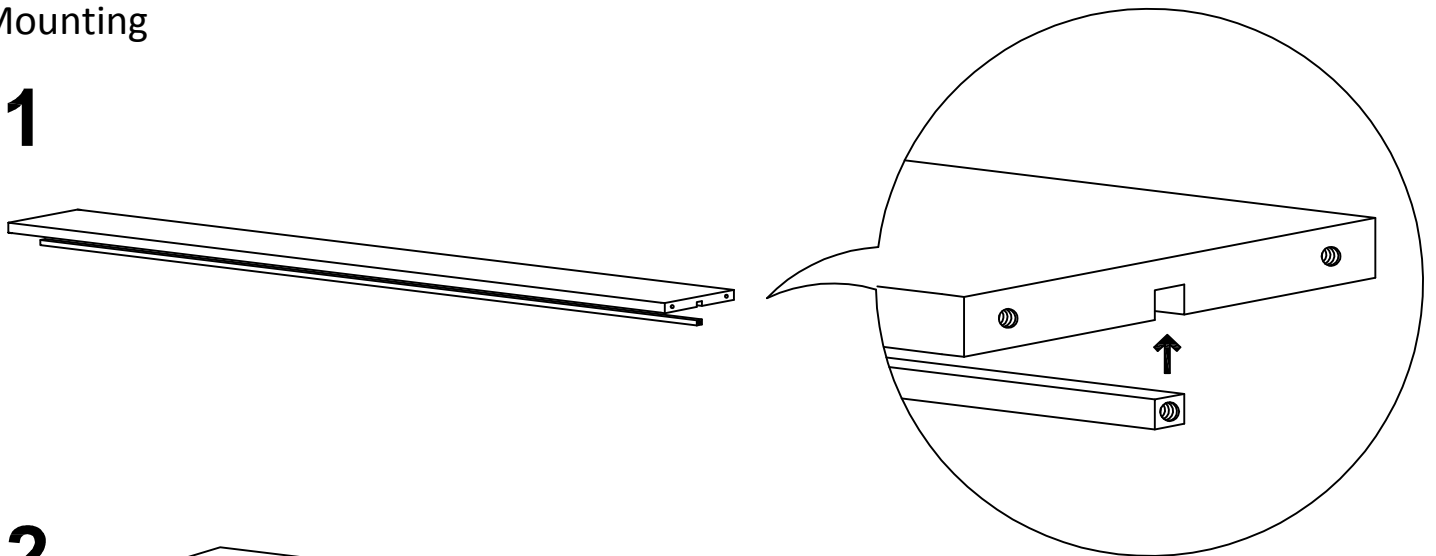


COMPASS 6MA
NECESSARY HOLE
Ø 8mm
depth 17mm)

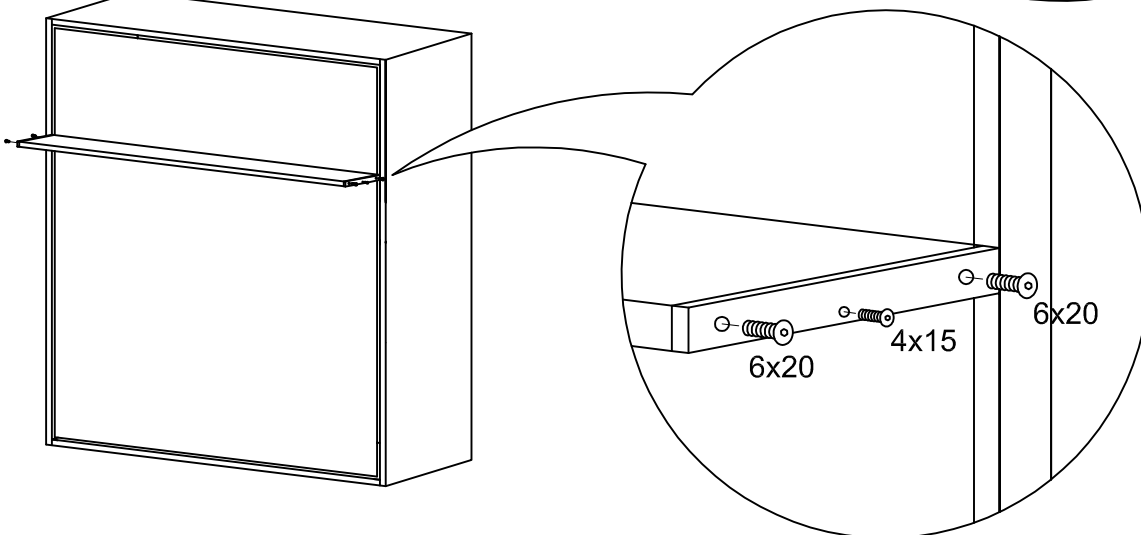
COMPASS 6MA
TROU NÉCESSAIRE
Ø 8mm
depth 17mm

Montage Mounting

1

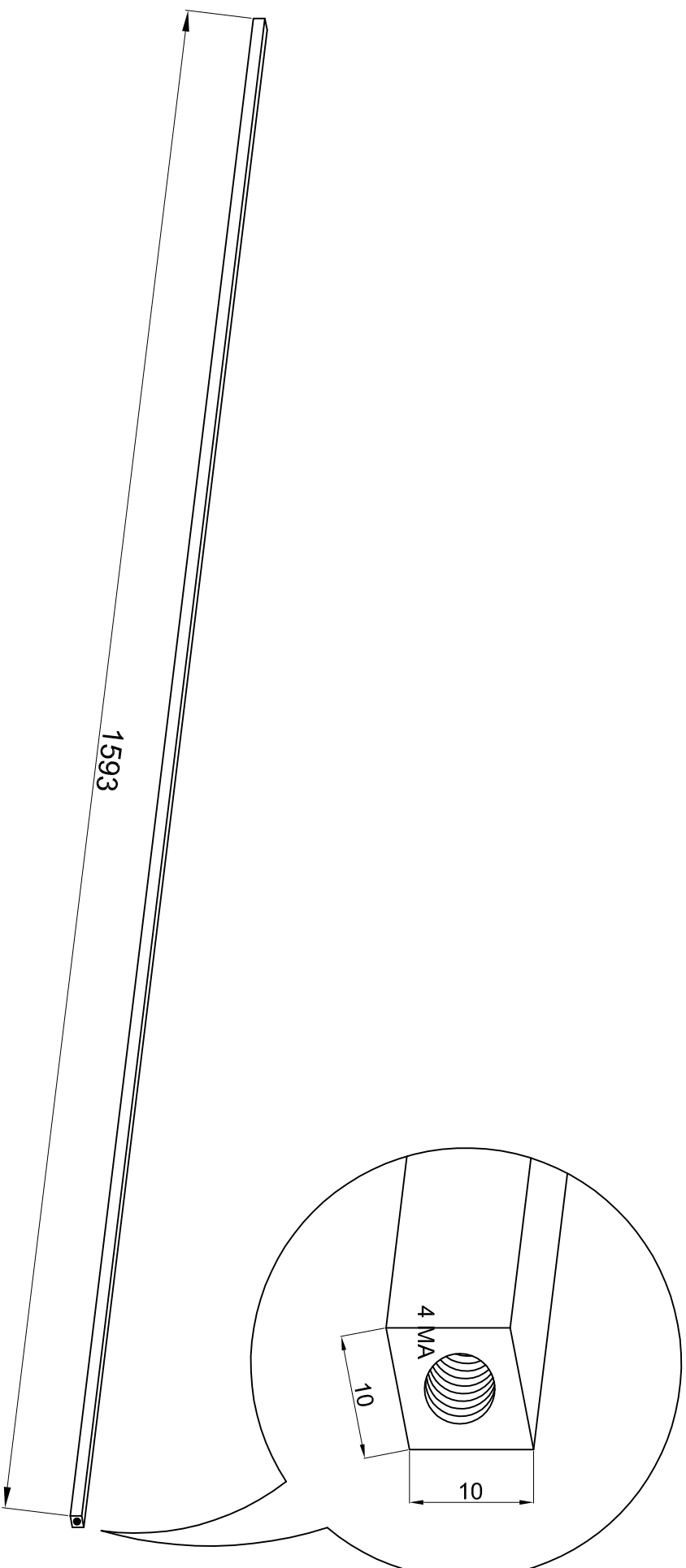


2



Page	Page 1 of 2	Sizes	mm	Date
Richelieu	Article	3001Q2G		

BARRE DE RENFORT 10 X 10
TUBE 10 X 10 REINFORCEMENT SHELF



Page	Sizes	Date
Page 2 of 2	mm	
Richelieu	Article	3001Q2G