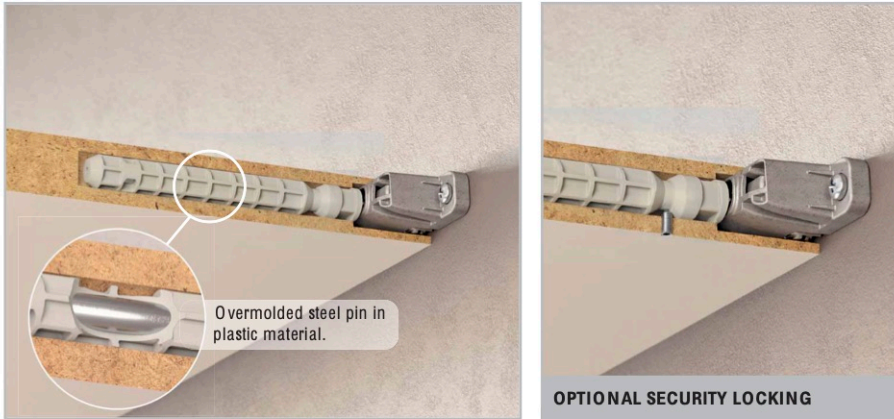


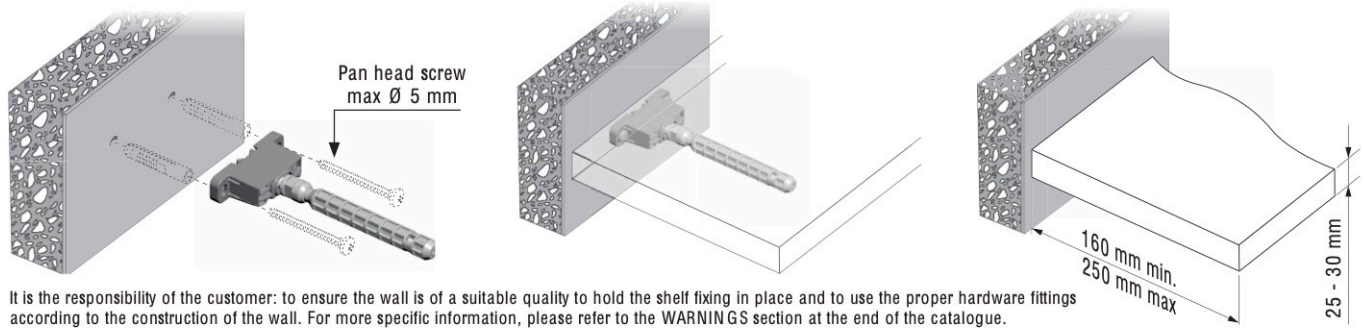
TRIADE PRO MINI



25 mm min.

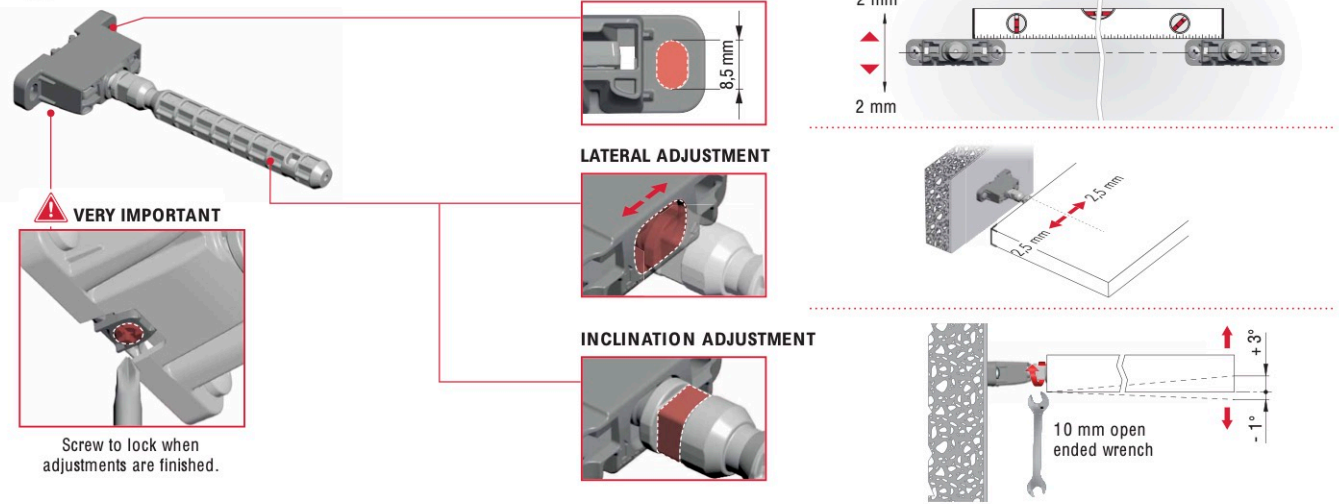
15 kg per pair for shelf 250 mm deep

SPECIFICATION



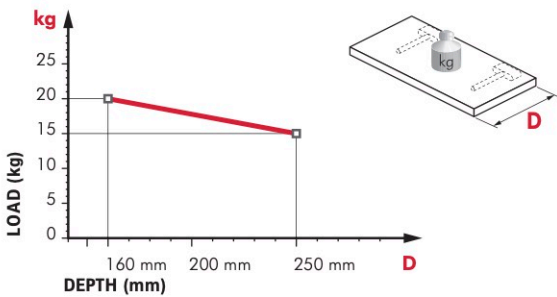
It is the responsibility of the customer: to ensure the wall is of a suitable quality to hold the shelf fixing in place and to use the proper hardware fittings according to the construction of the wall. For more specific information, please refer to the WARNINGS section at the end of the catalogue.

ADJUSTMENT

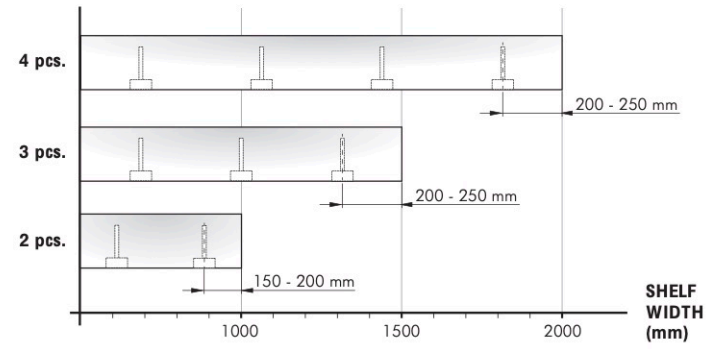


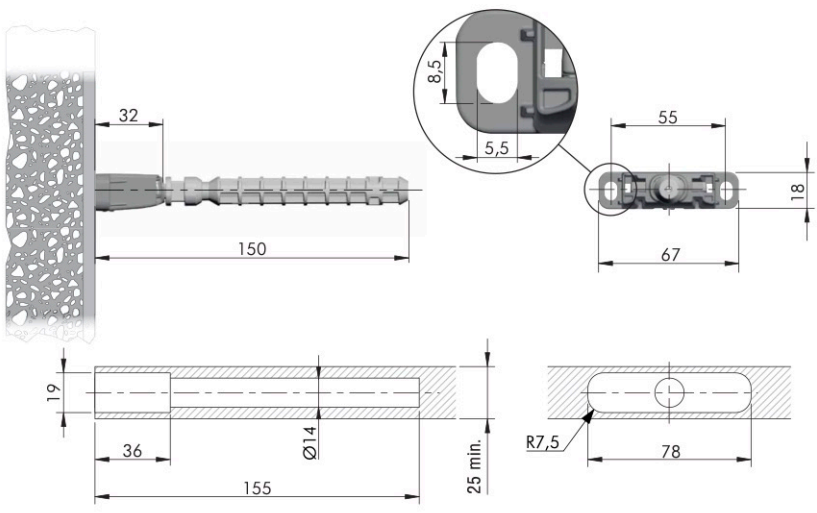
CAPACITY LOADING CHART

(The figures refer to 2 shelf supports)

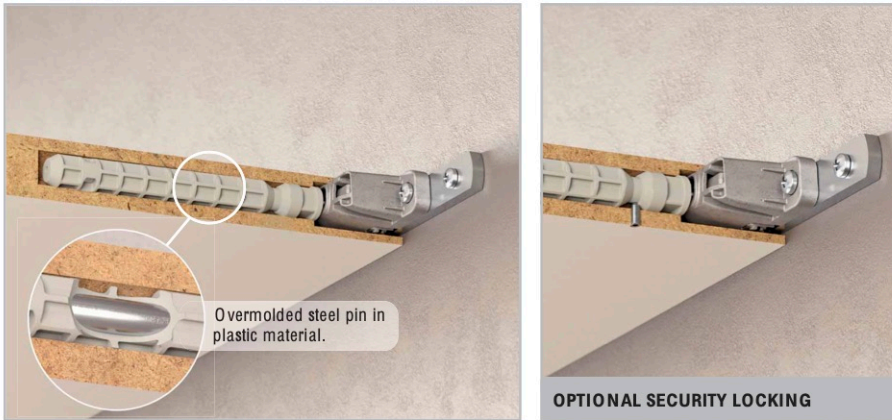


RECOMMENDED NUMBER OF TRIADE PRO MINI PER SHELF





TRIADE PRO MINI AND BRACKET

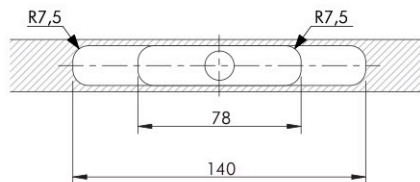
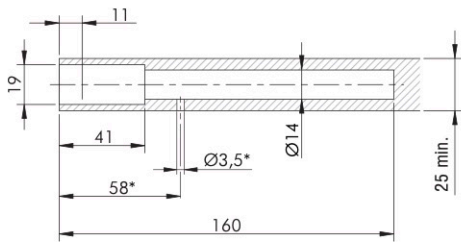


25 mm min. 

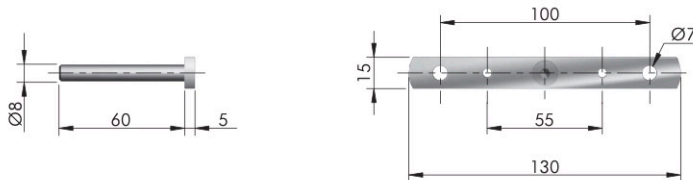


The wall bracket guarantees a more stable fixing to the wall.

It is the responsibility of the customer: to ensure the wall is of a suitable quality to hold the shelf fixing in place and to use the proper hardware fittings according to the construction of the wall. For more specific information, please refer to the WARNINGS section at the end of the catalogue.



* Optional drilling for security locking with M4 grub screw placed underneath in alignment with the cavity. For details refer to Triade Pro Mini section.



FIXING ACCESSORY

