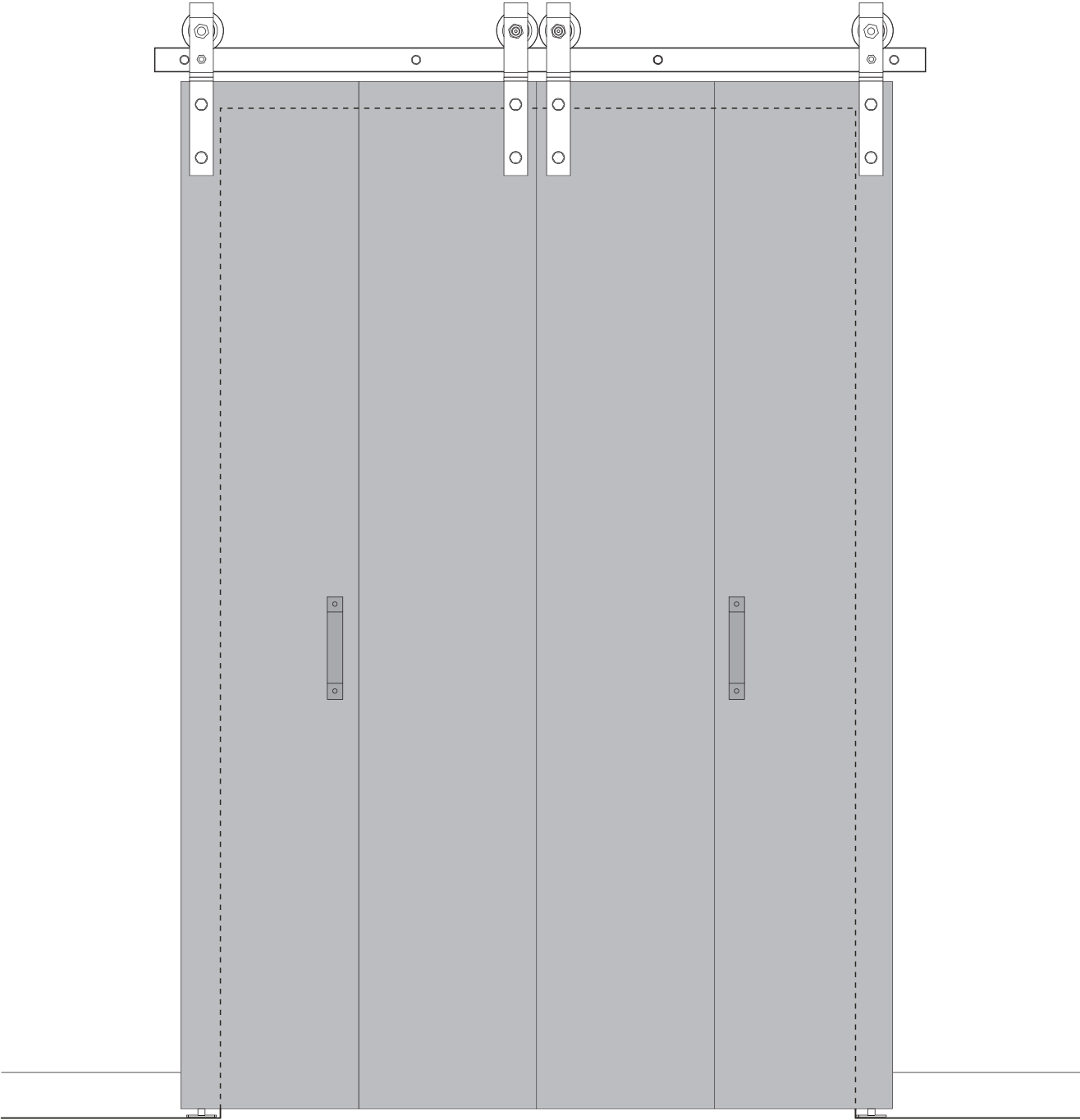
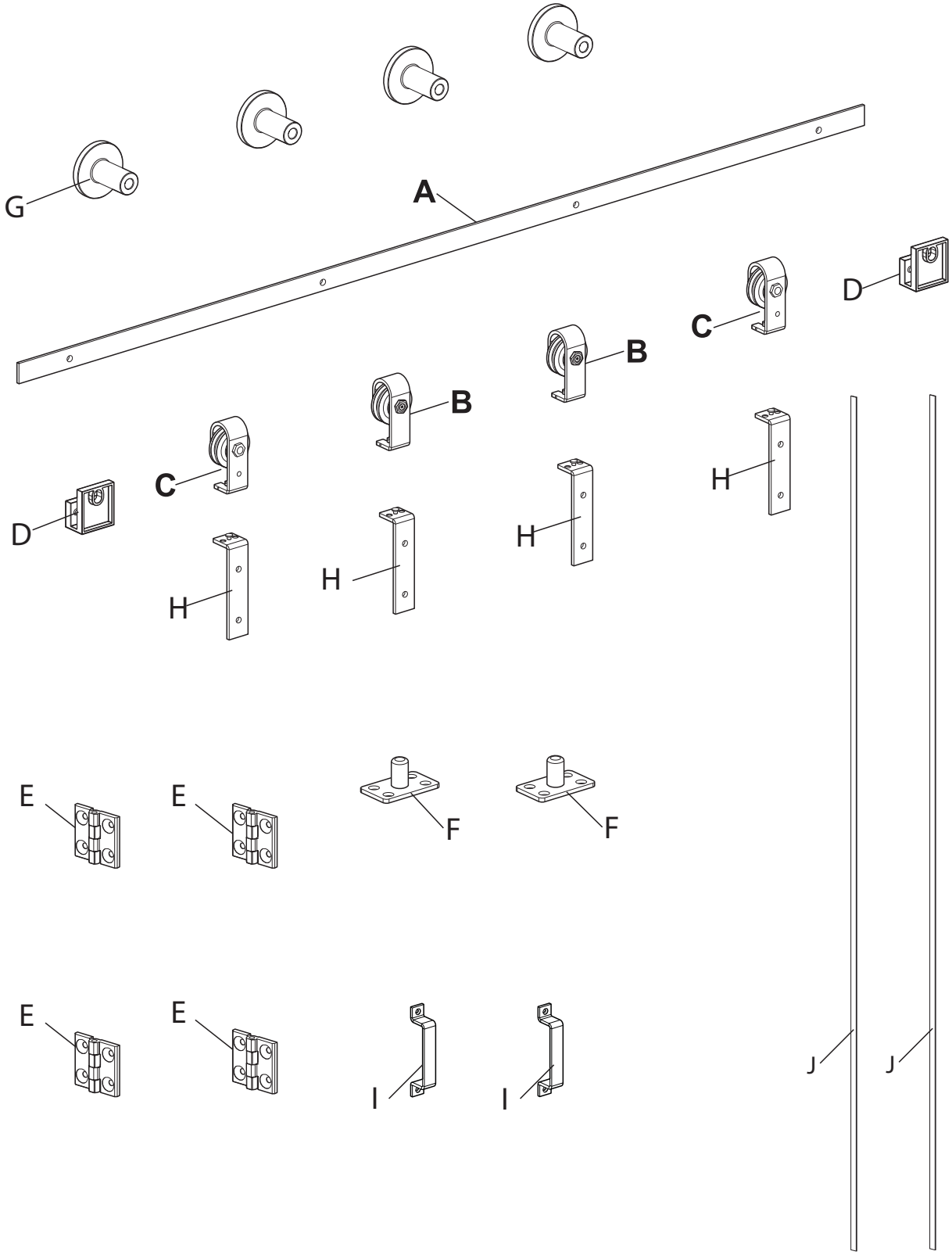


# Installation Manual/ Manuel D'Installation/ Manual De Instalación

---

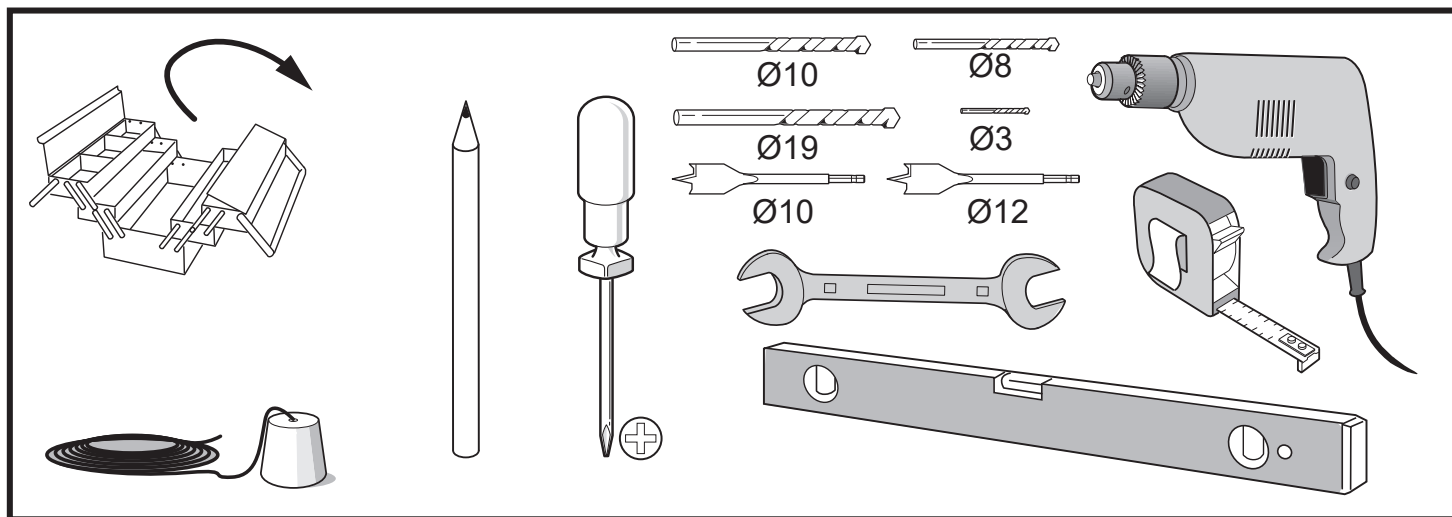


**Components list/ Liste des composants/ Lista de componentes**



# Instructions / Des Instructions / Instrucciones

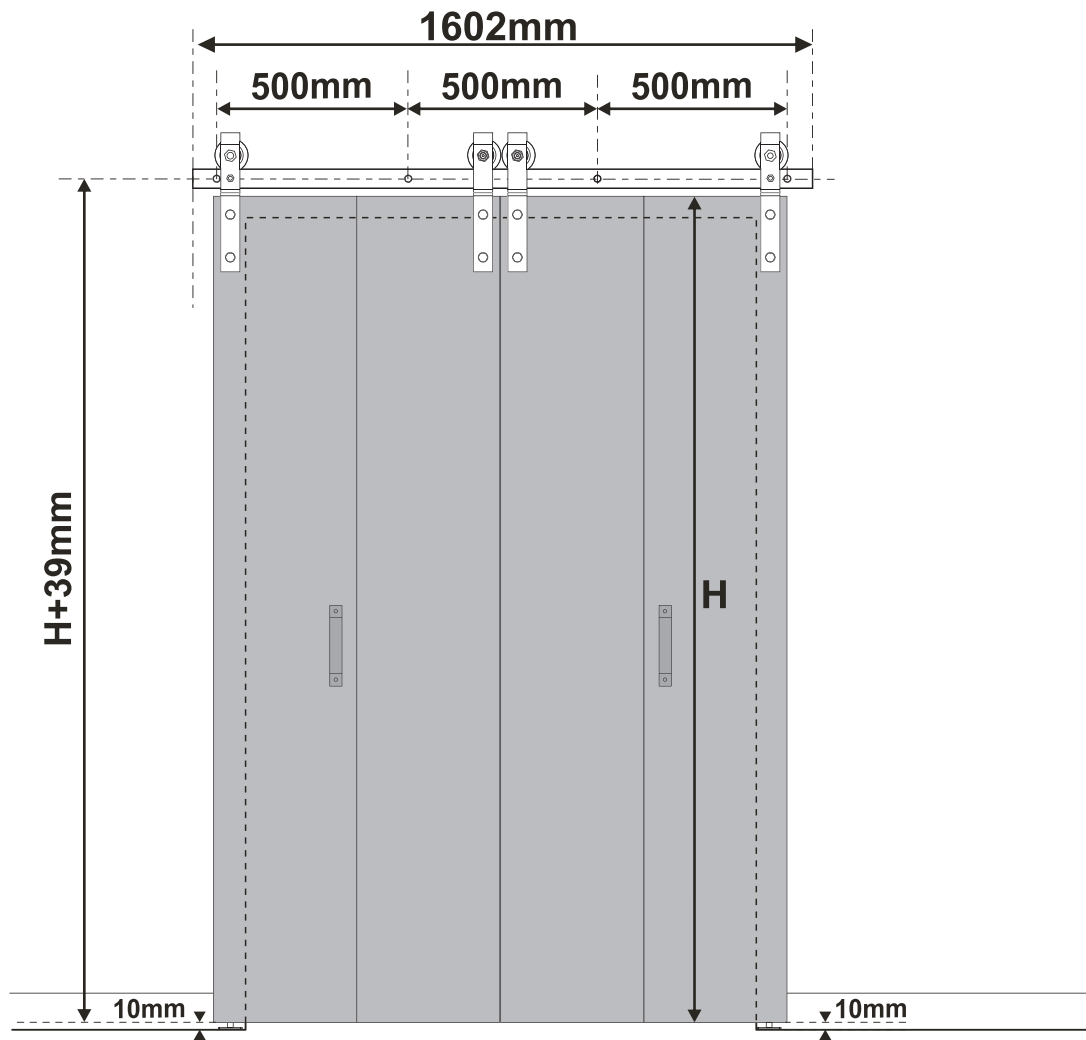
## Tools Required / Outils nécessaires / Herramientas Necesarias



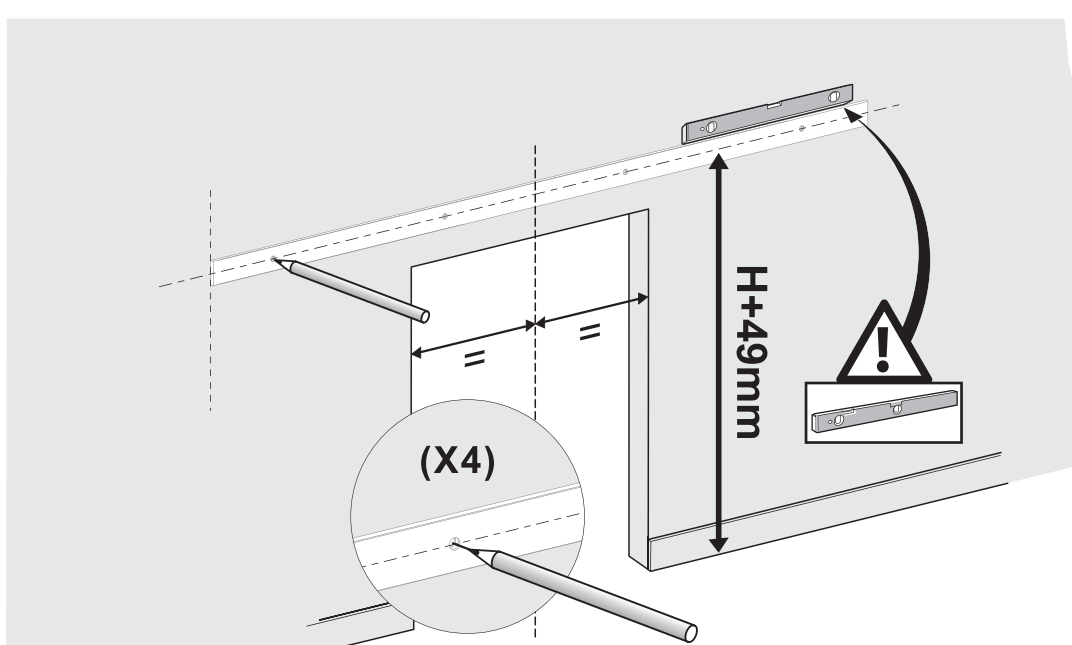
## Hardware Included / Matériel inclus / Herrajes incluidos

<p><b>A</b></p> <p><math>\varnothing 10(x4)</math> (x4) M8x90(x4)</p>	<p>(x1)</p>	<p><b>B</b></p> <p>(x2)</p>	<p><b>C</b></p> <p>(x2) M5x26(x2) (x2)</p>
<p><b>D</b></p> <p>(x2) M5x6(x4)</p>	<p><b>E</b></p> <p>(x4) M6x25(x16)</p>	<p><b>F</b></p> <p>(x2) (x2) <math>\varnothing 8(x8)</math> ST4.2x32(x8)</p>	
<p><b>G</b></p> <p>(x4)</p>	<p><b>H</b></p> <p>M10x60 (x 8) bolts for 40-45mm door M10x55 (x 8) bolts for 35-40mm door (x4) ST4.8x32(x 8)</p>	<p><b>I</b></p> <p>(x2) ST5.5x32(x4)</p>	
<p><b>J</b></p> <p>(x2)</p>	<p>(x1)</p>		

# Installation / Installation / Instalación

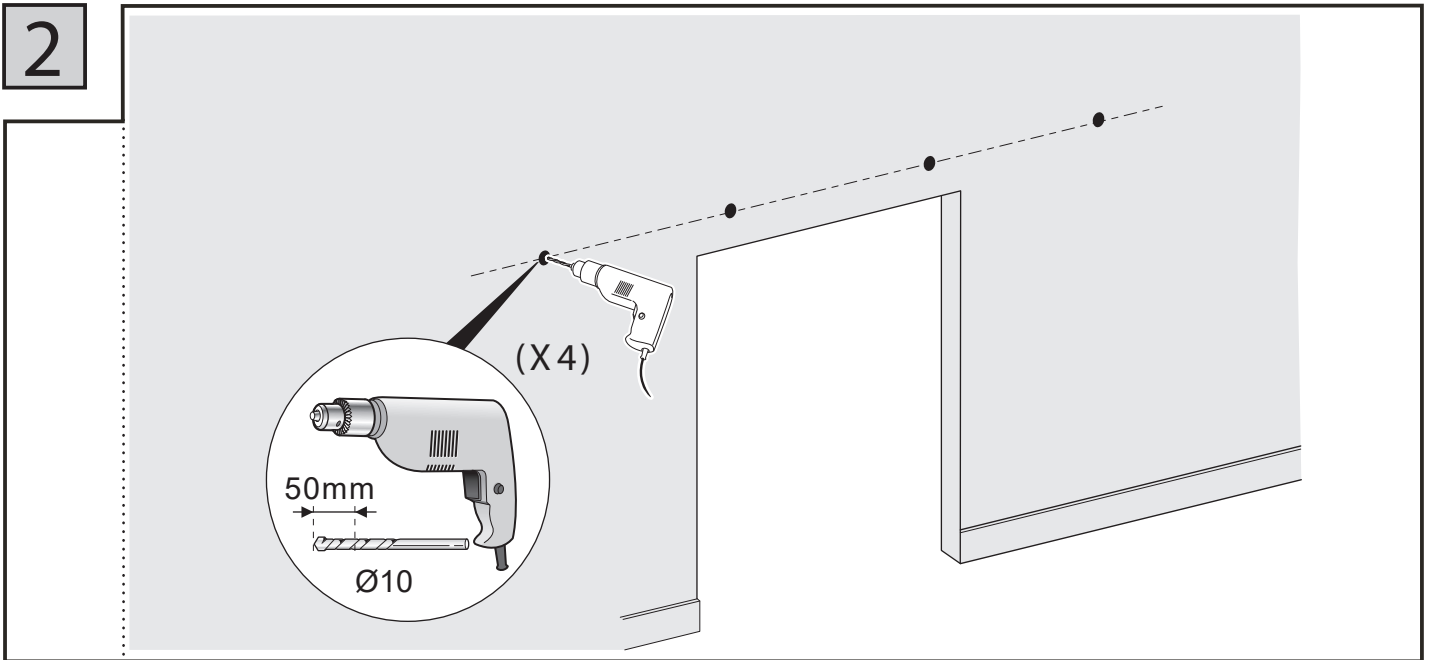


1

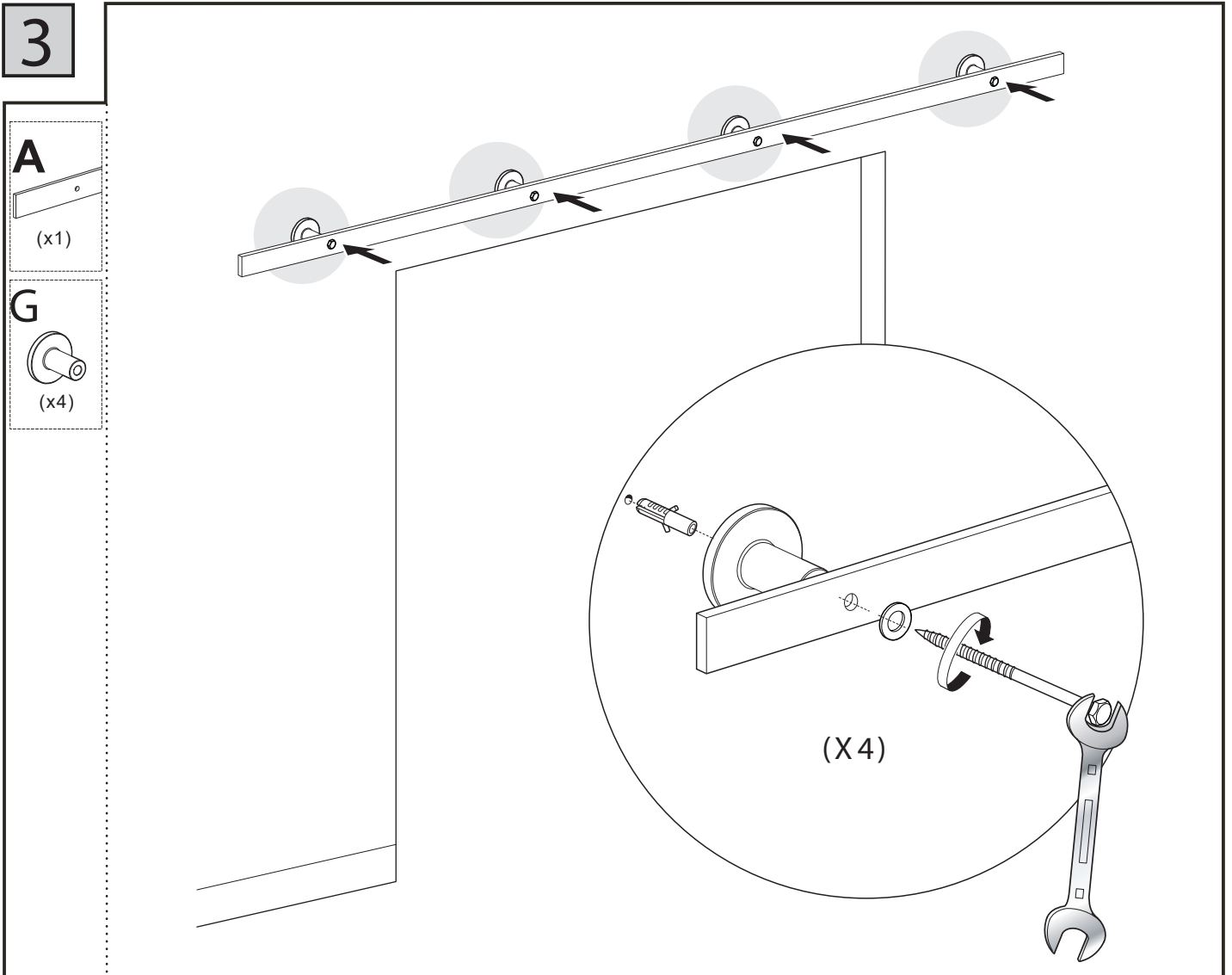


# Installation / Installation / Instalación

2

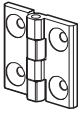


3



**4**

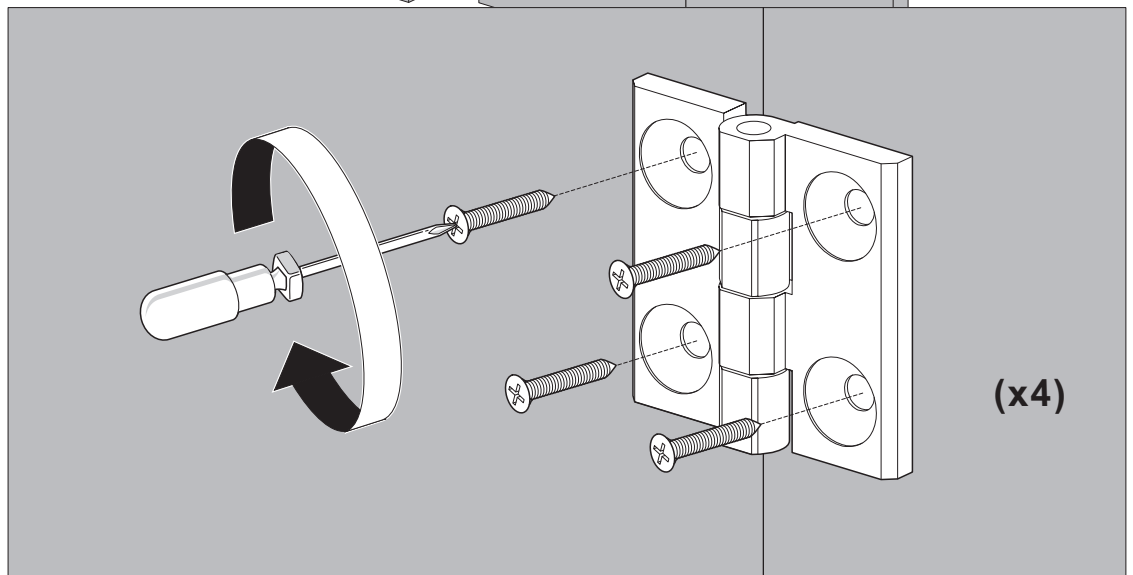
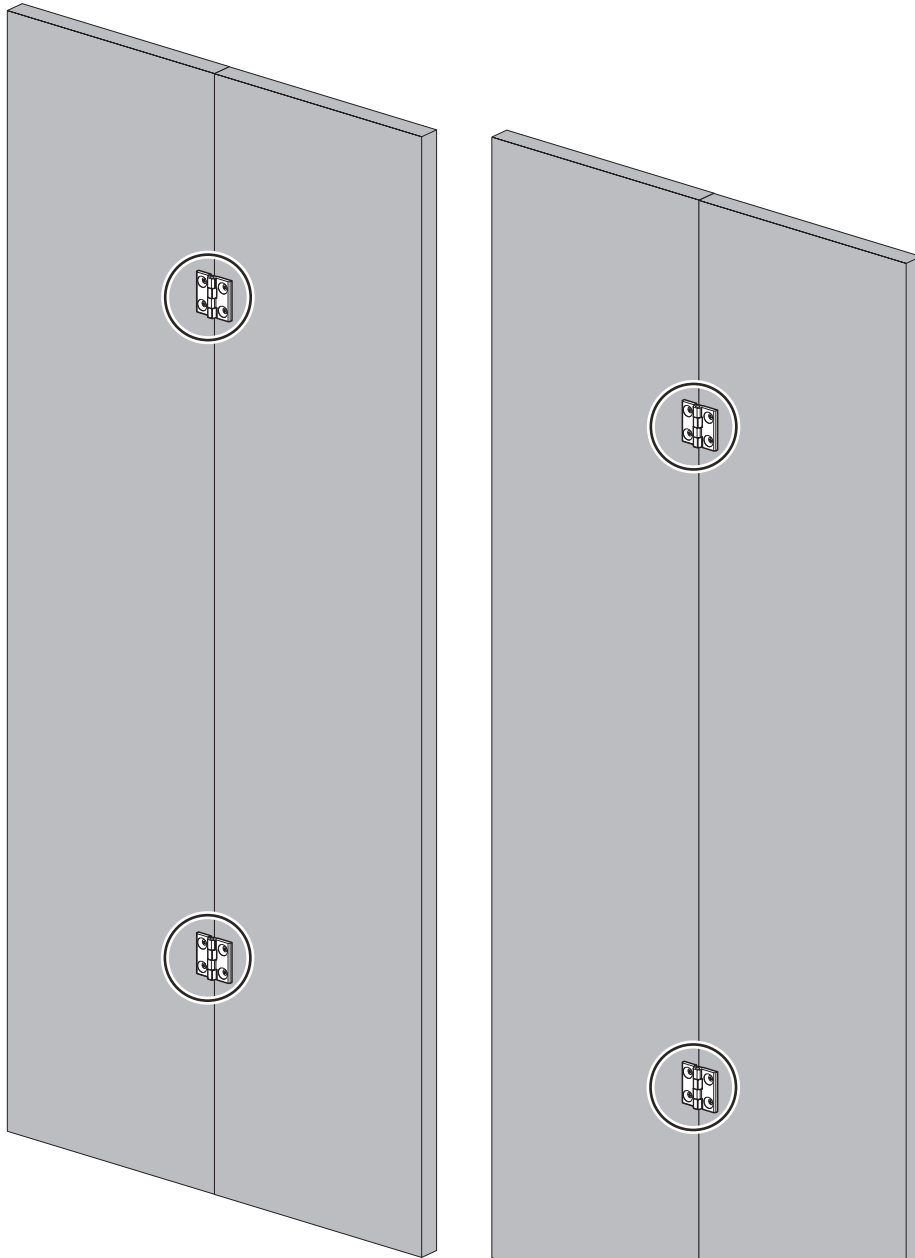
**E**



(x4)

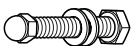



M6x25  
(x 16)

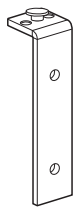


(x4)

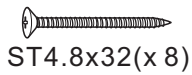
5

**H**   
M10x60 (x 8)  
bolts for 40-45mm door

  
M10x55 (x 8)  
bolts for 35-40mm door

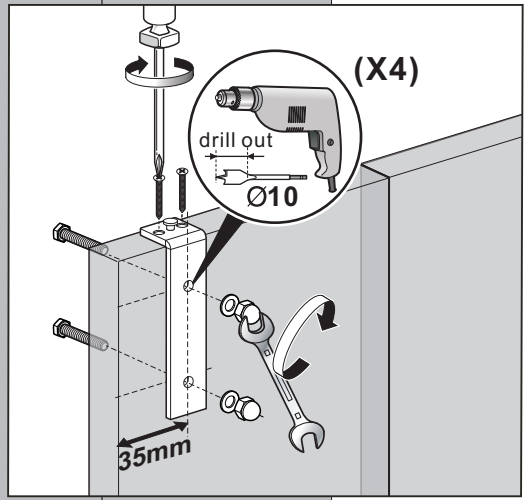
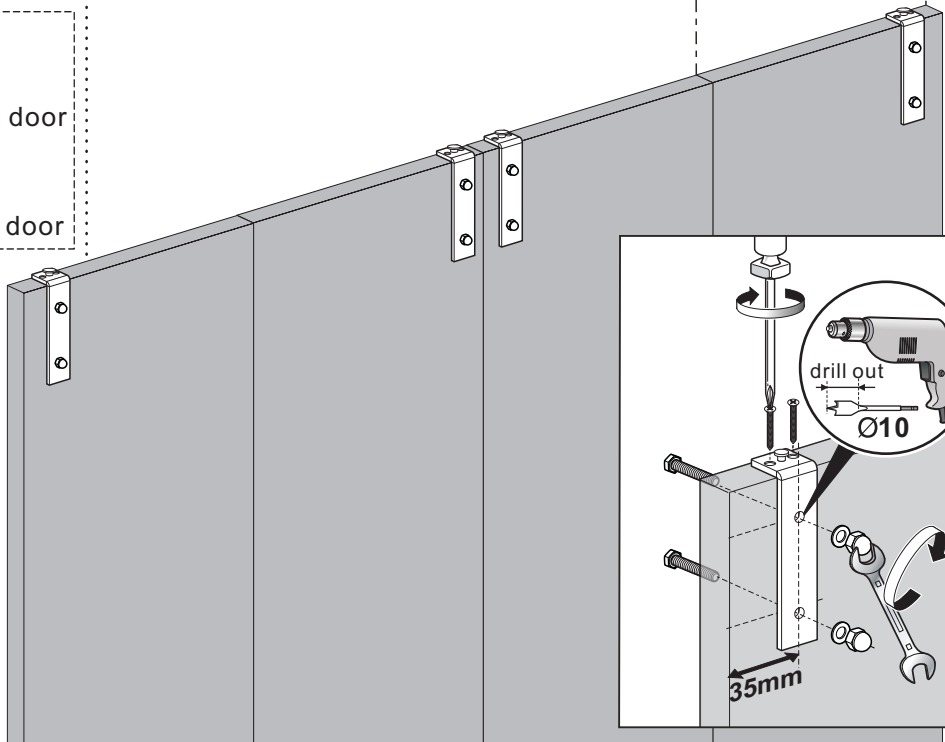


(x4)

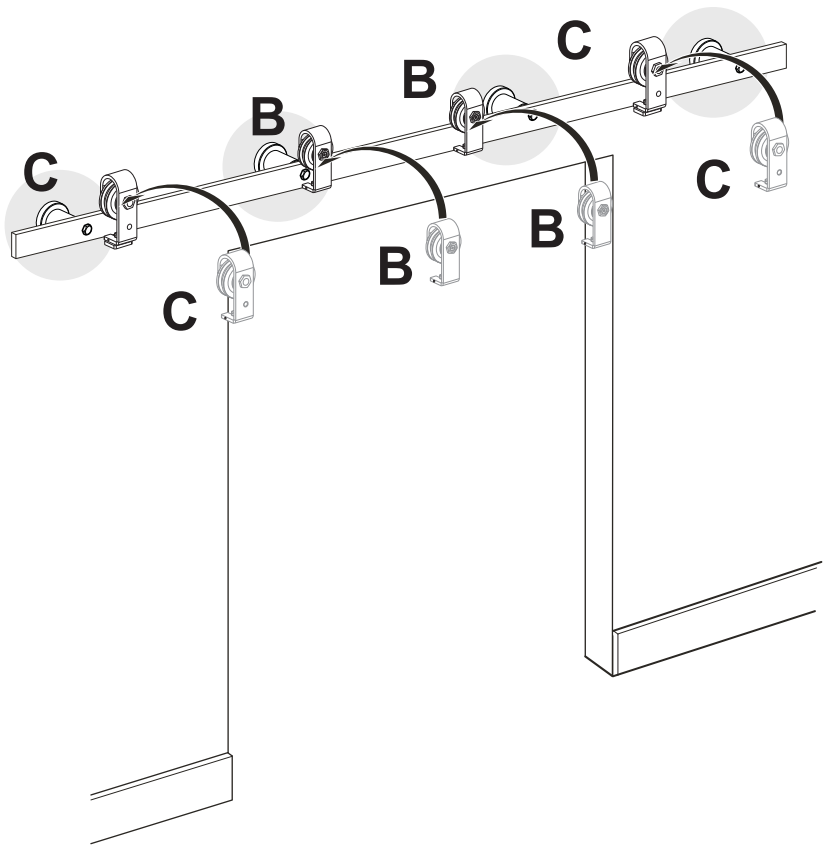
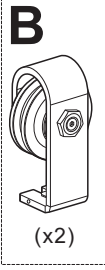
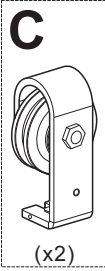


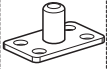
ST4.8x32(x 8)

280-350mm



6



**7****F**

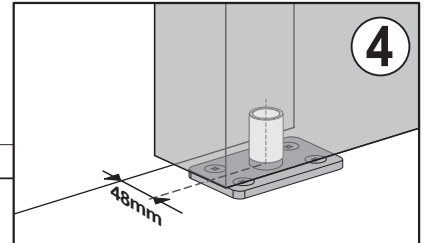
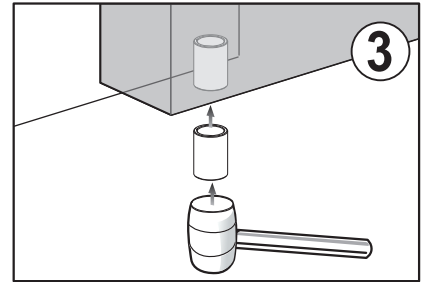
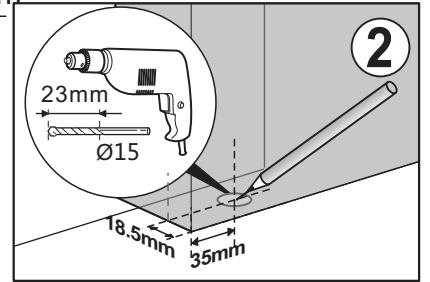
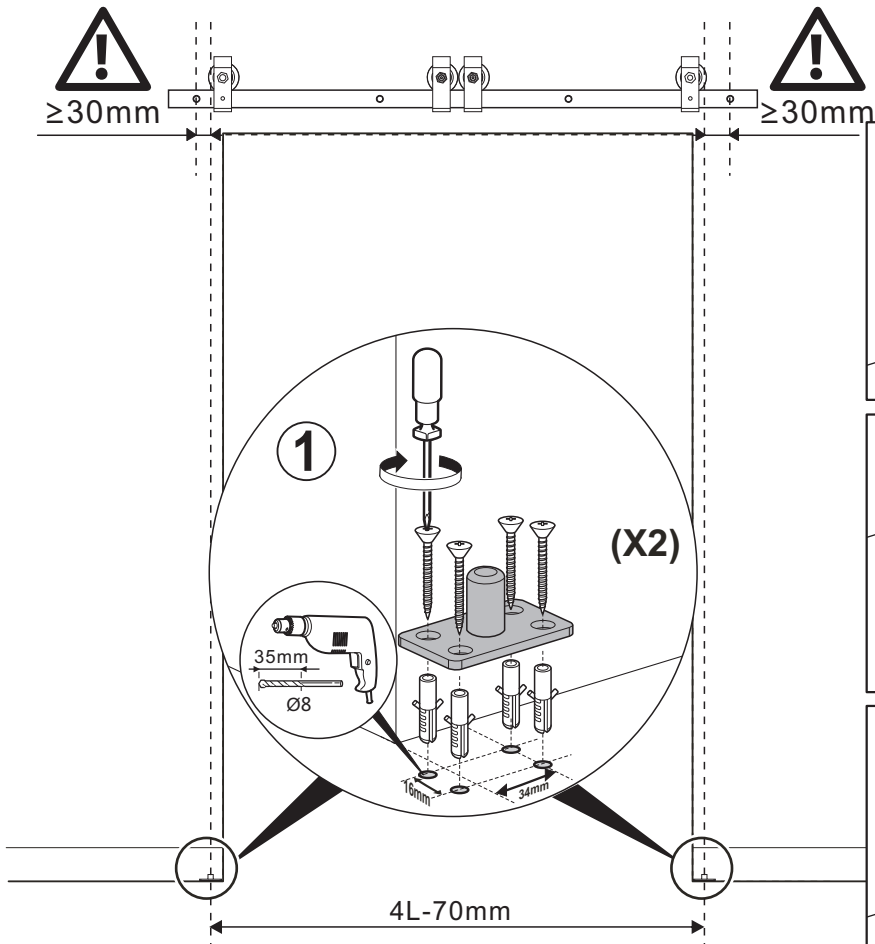
(x2)



(x2)

ST4. 2X32  
(x8)

Ø8(x8)

**8****C**M5x26  
(x2)

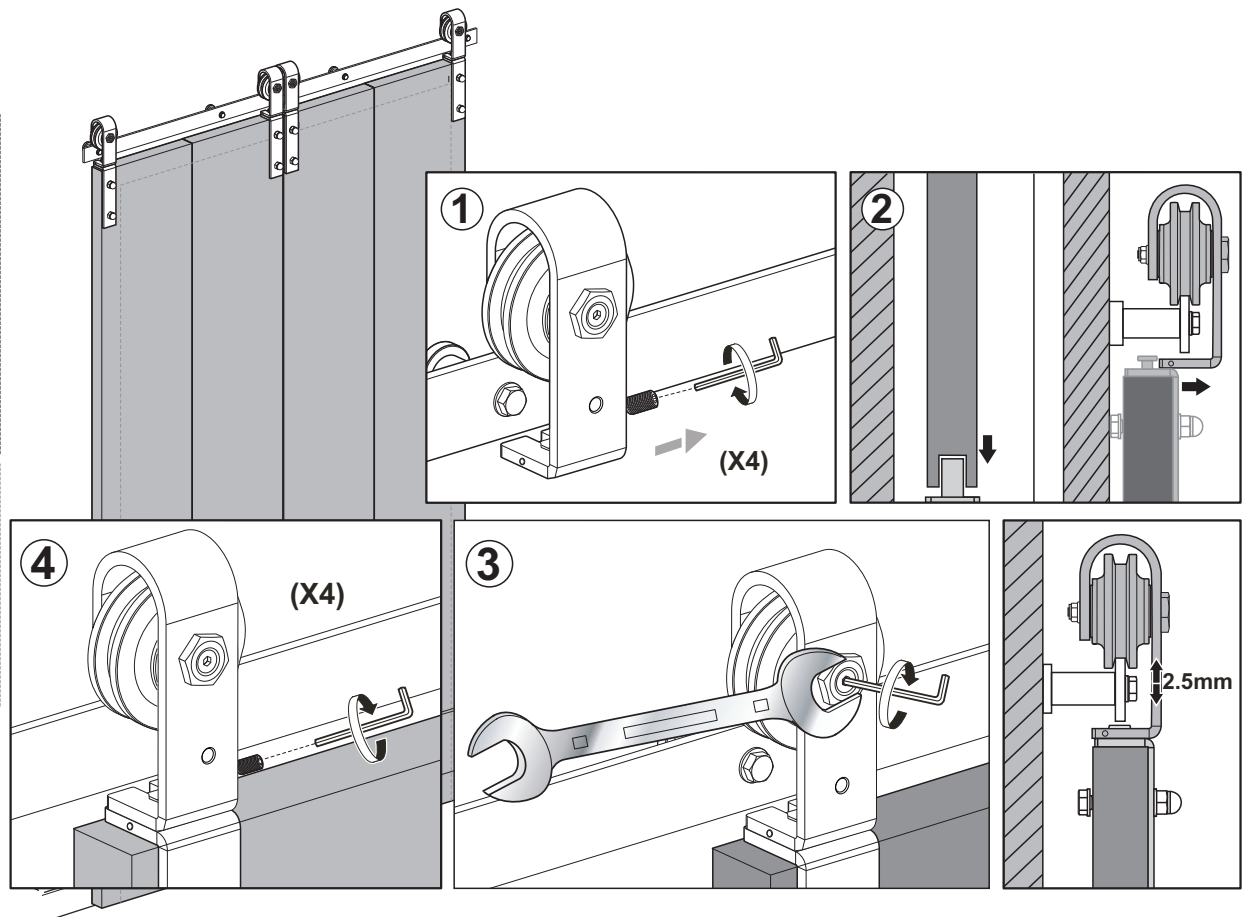
(x2)

**D**

(x2)



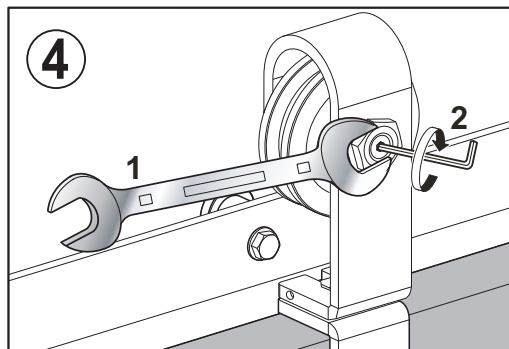
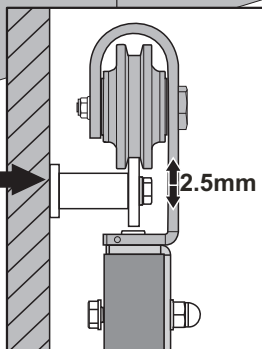
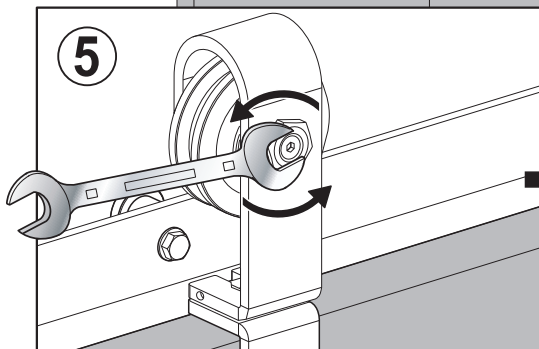
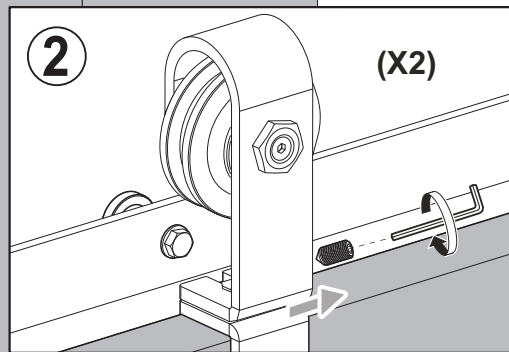
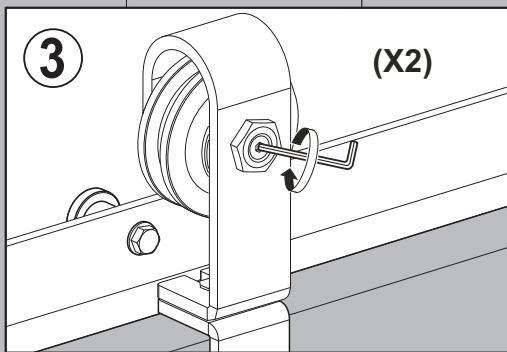
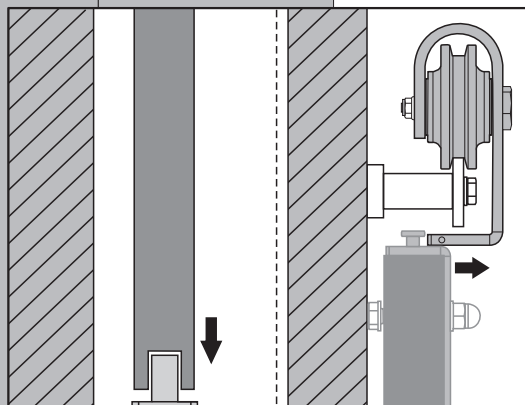
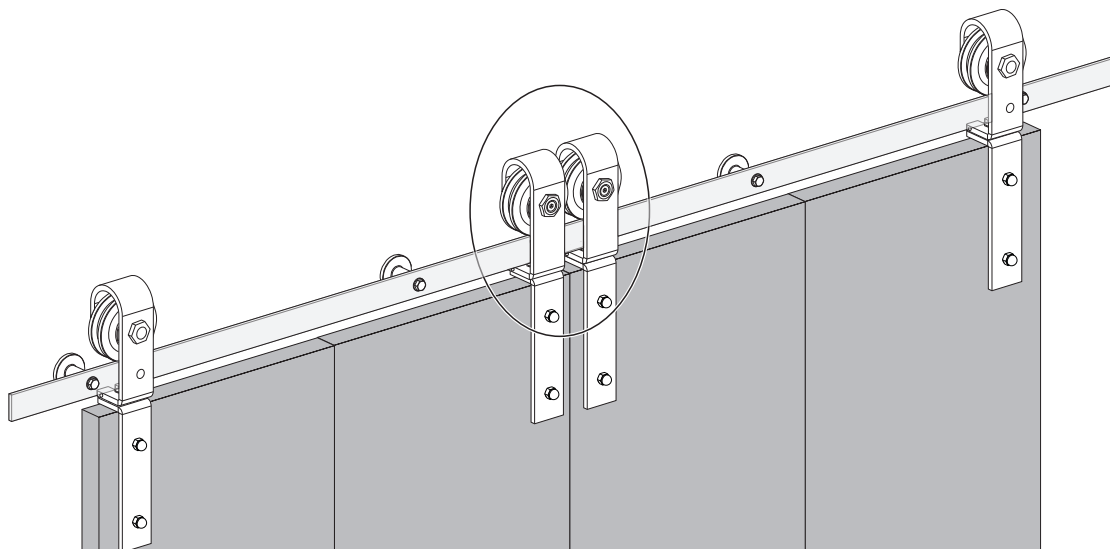
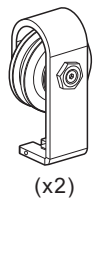
M5x6(x4)





9

B



C



M5x26  
(x2)



(x2)

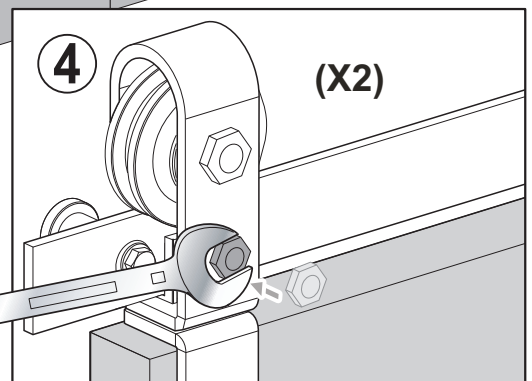
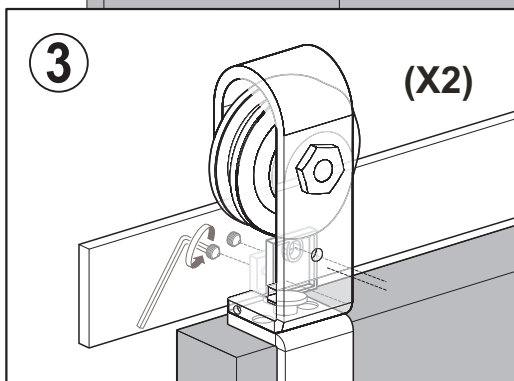
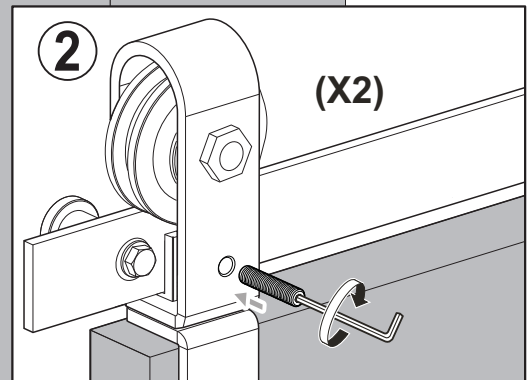
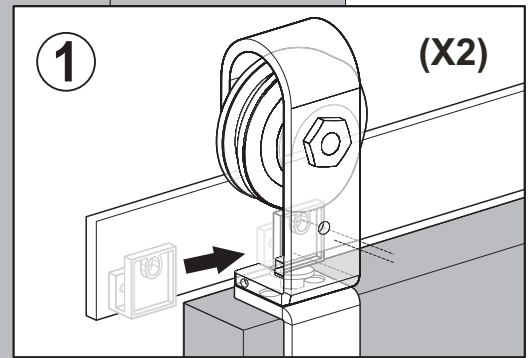
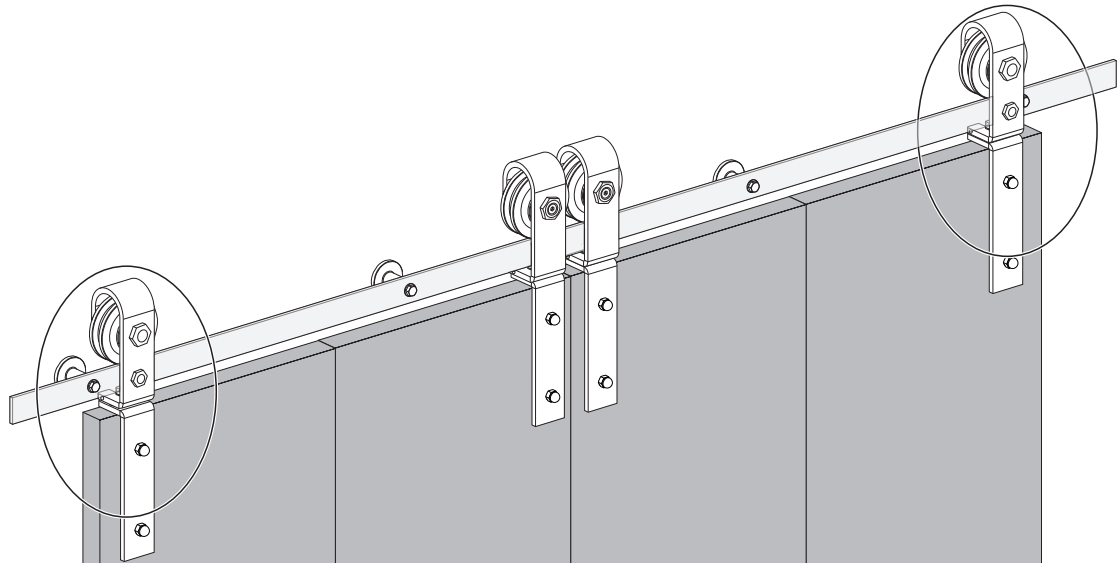
D



(x2)

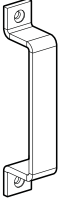


M5x6(x4)



11

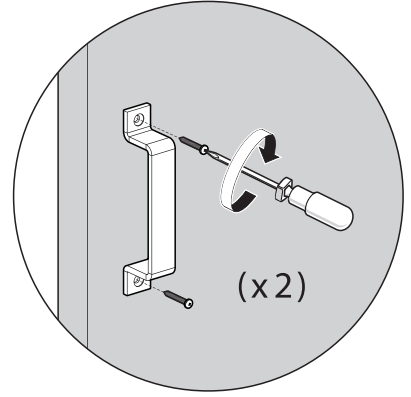
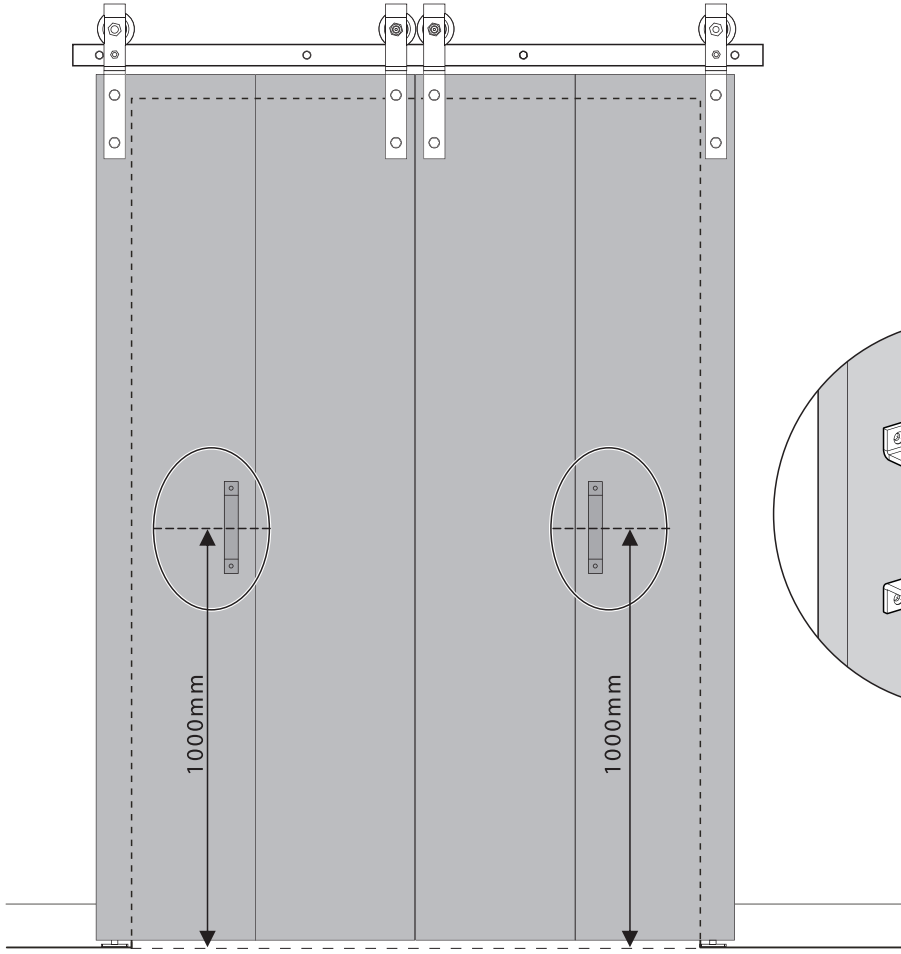
I



(x2)



ST5.5x32(x4)



12

J

(x2)

