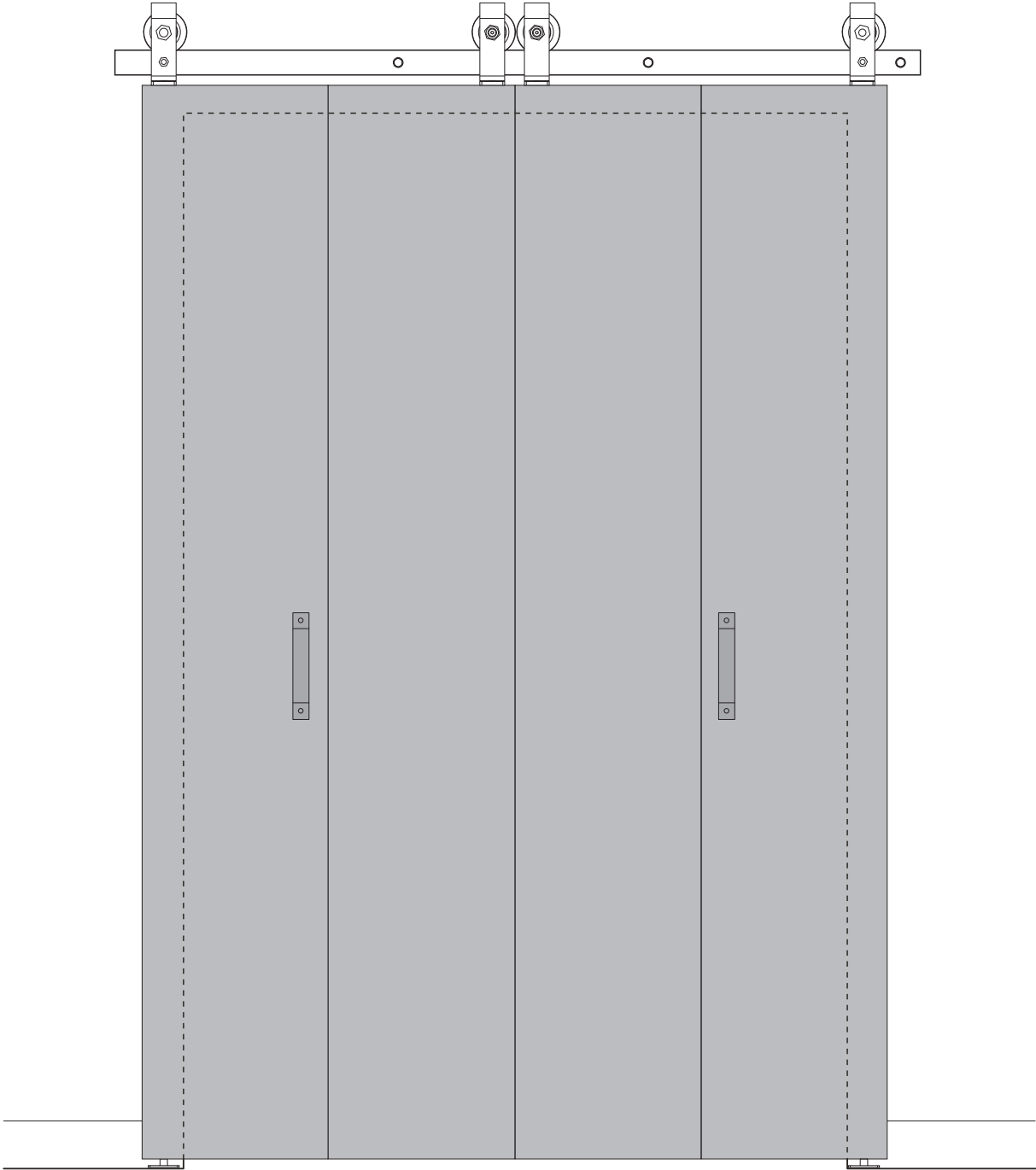
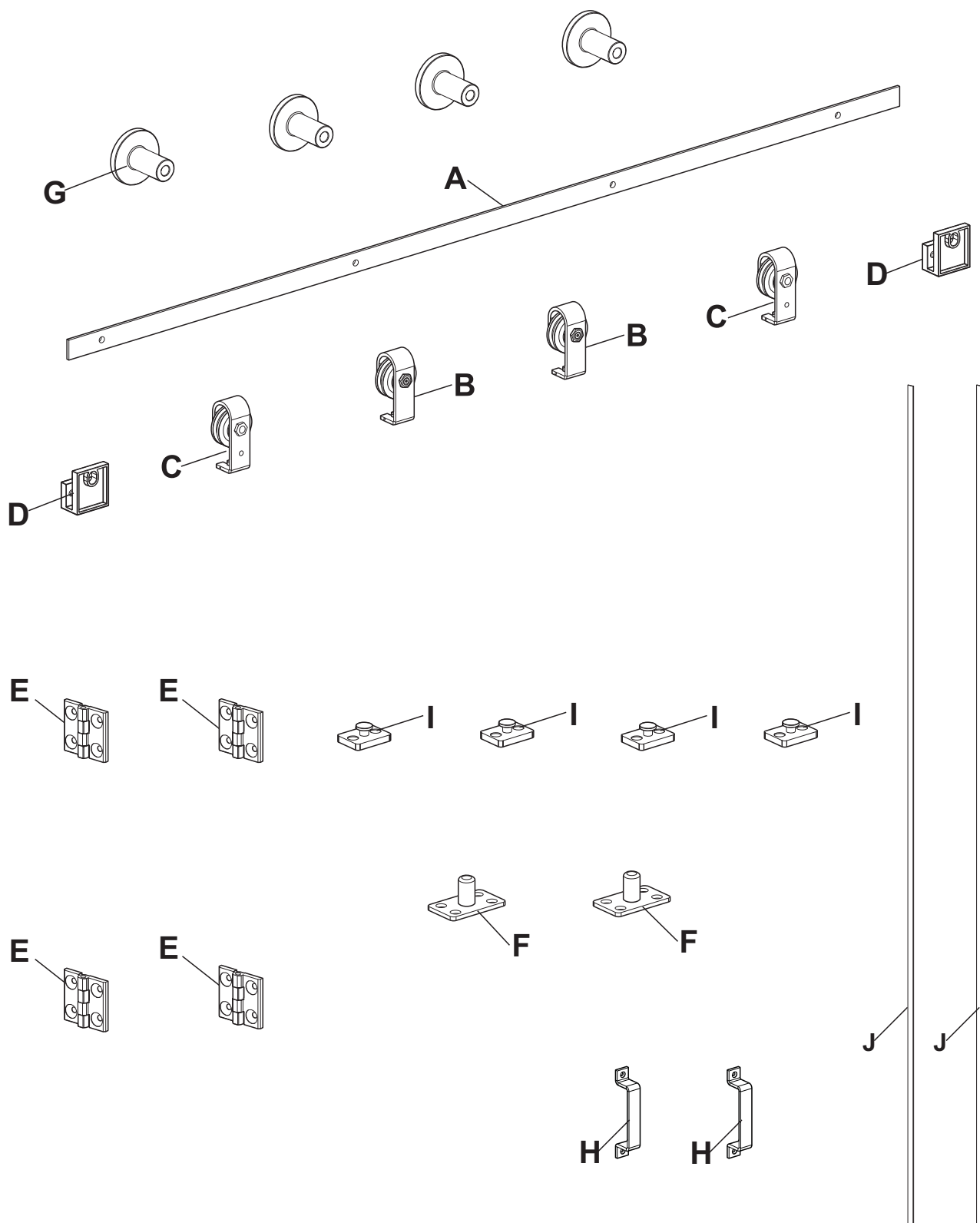


Installation Manual / Manuel D'Installation / Manual De Instalación

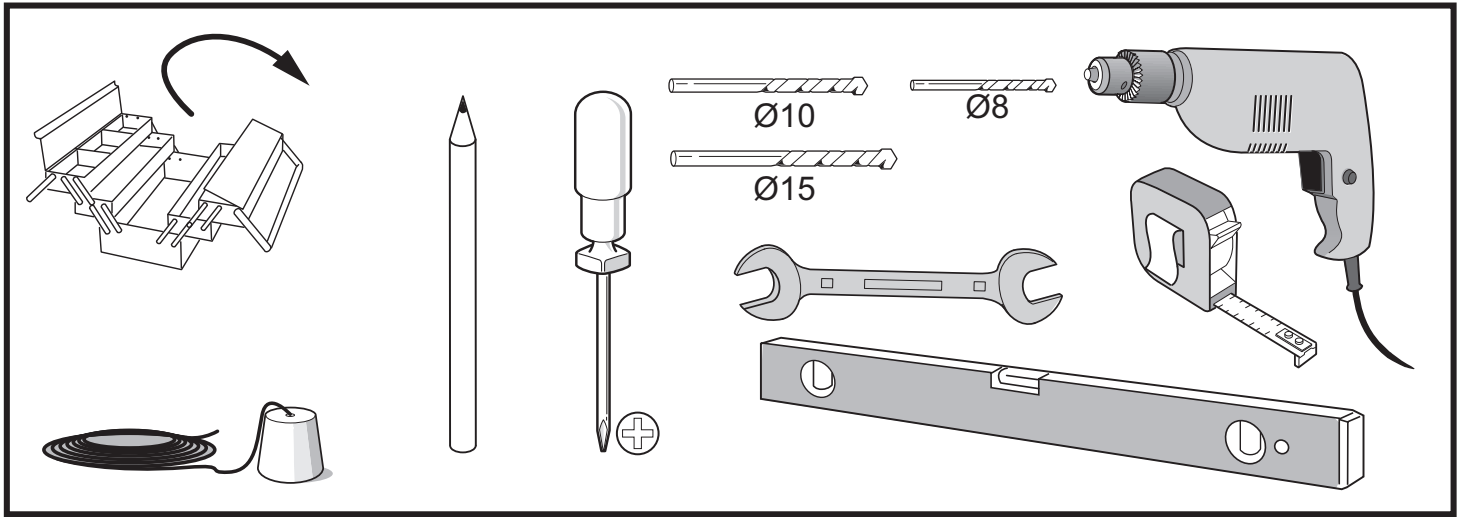


Components list/ Liste des composants/ Lista de componentes



Instructions / Des Instructions / Instrucciones

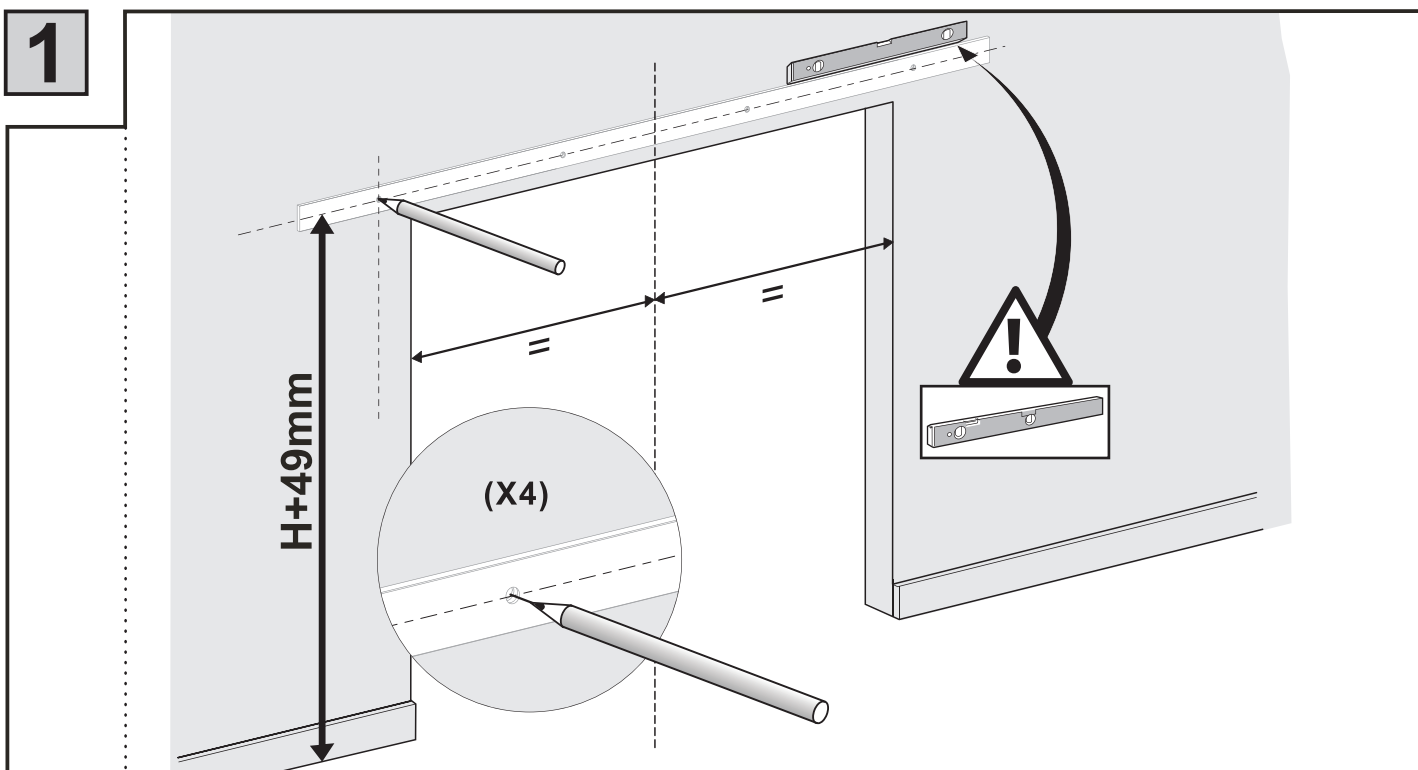
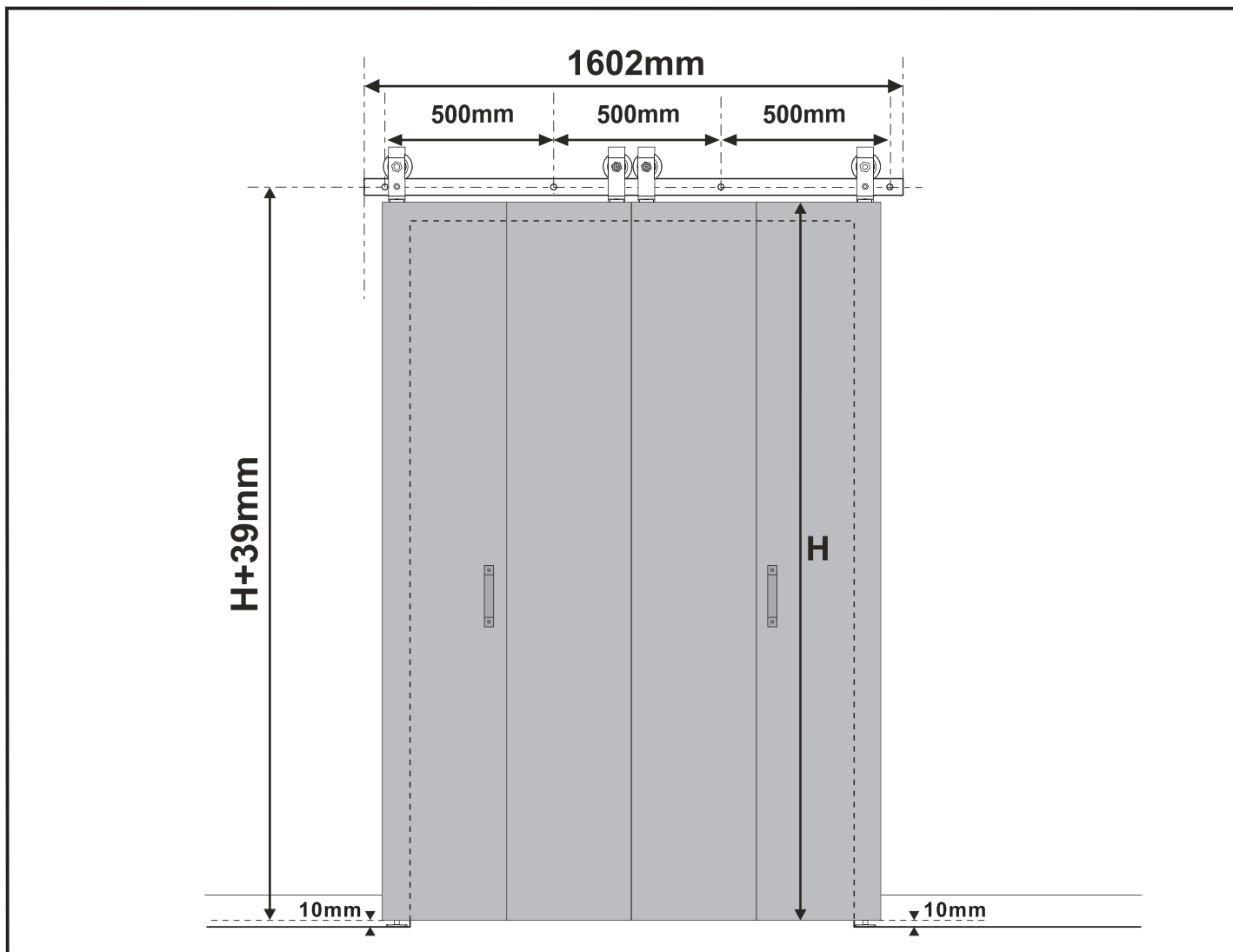
Tools Required / Outils nécessaires / Herramientas Necesarias



Hardware Included / Matériel inclus / Herrajes incluidos

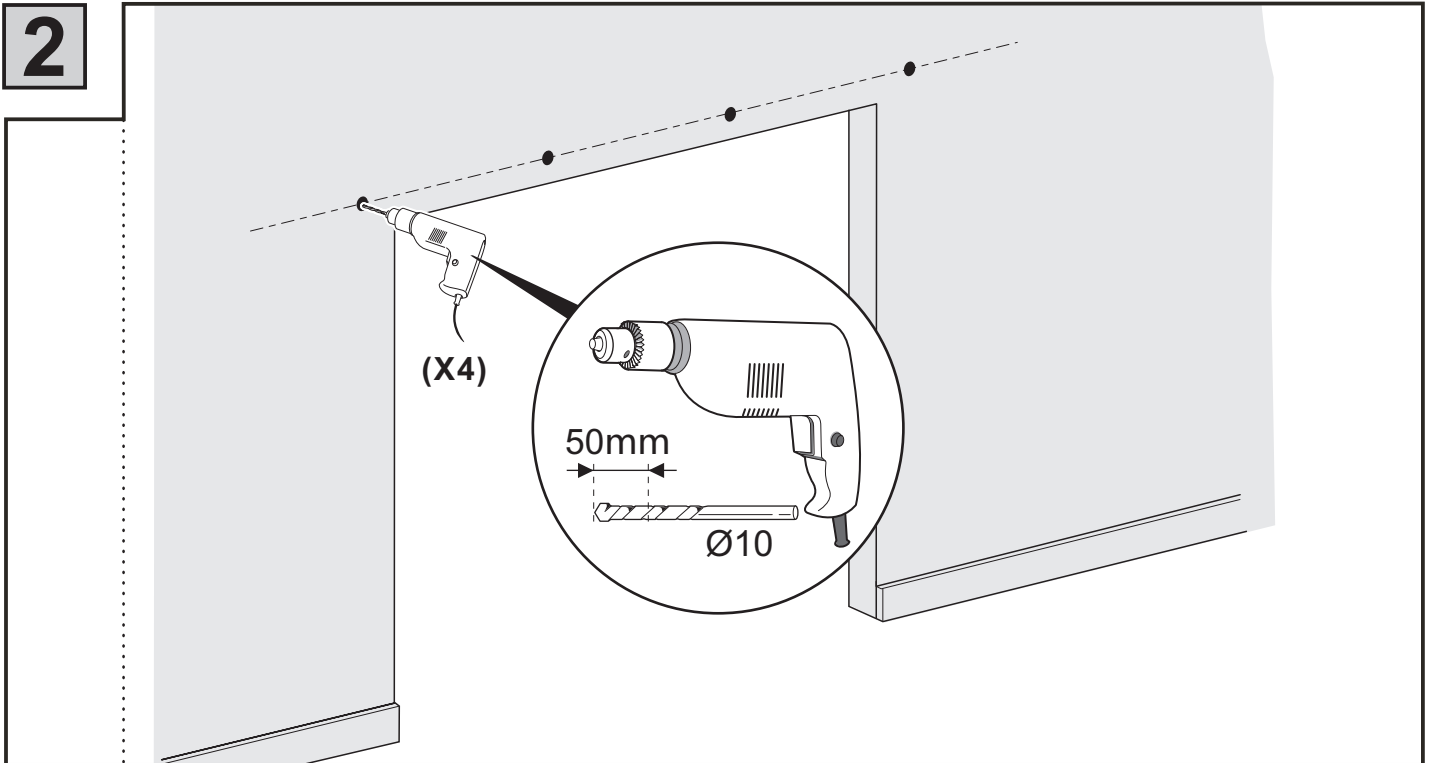
<p>A</p> <p>$\text{Ø}10$ (x4)</p> <p>(x4)</p> <p>M8x90(x4)</p>	<p>(x1)</p>	<p>B</p> <p>(x2)</p>	<p>C</p> <p>(x2)</p> <p>M5x26(x2)</p> <p>(x2)</p>
<p>D</p> <p>(x2)</p> <p>M5x6(x4)</p>	<p>E</p> <p>(x4)</p> <p>M6X25(x16)</p>	<p>F</p> <p>(x2)</p> <p>(x2)</p> <p>$\text{Ø}8$ (x8)</p> <p>ST4.2X32(x8)</p>	
<p>G</p> <p>(x4)</p>	<p>H</p> <p>(x2)</p> <p>ST5.5x32(x4)</p>	<p>I</p> <p>(x4)</p> <p>ST4.8X50(x8)</p>	
<p>J</p> <p>(x2)</p>	<p>(x1)</p>		

Installation / Installation / Instalación

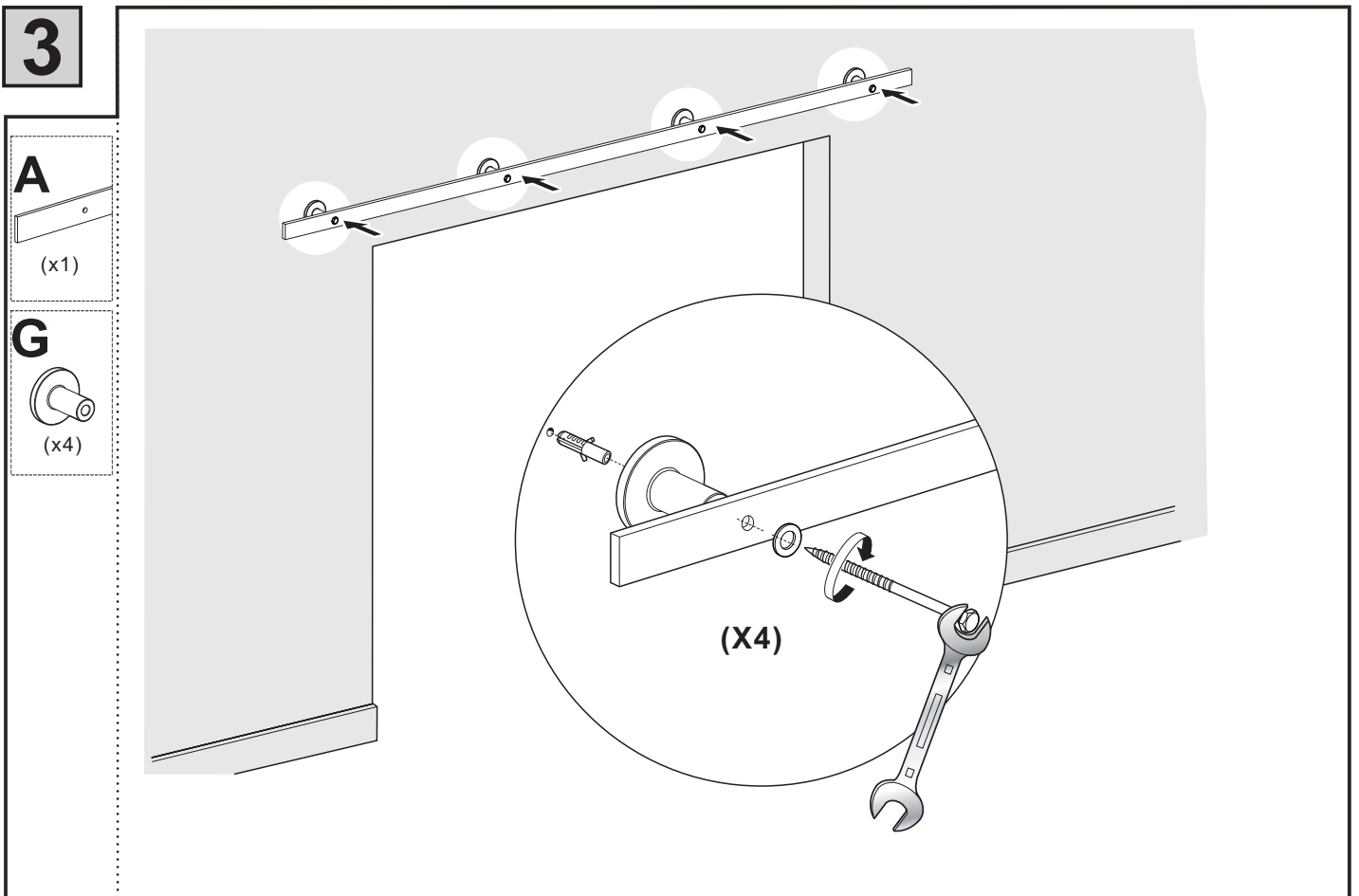


Installation / Installation / Instalación

2

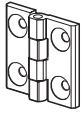


3



4

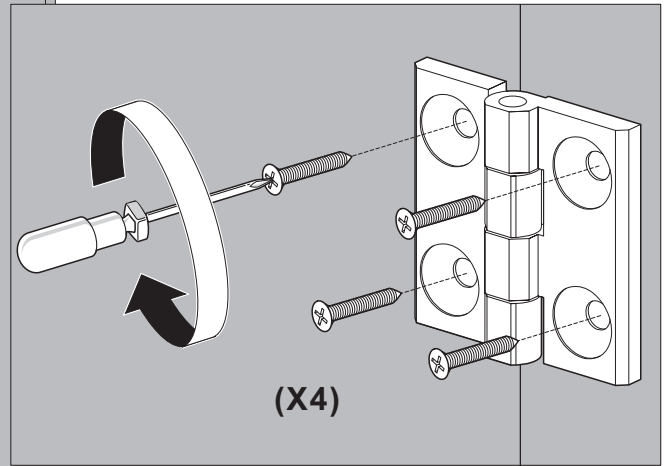
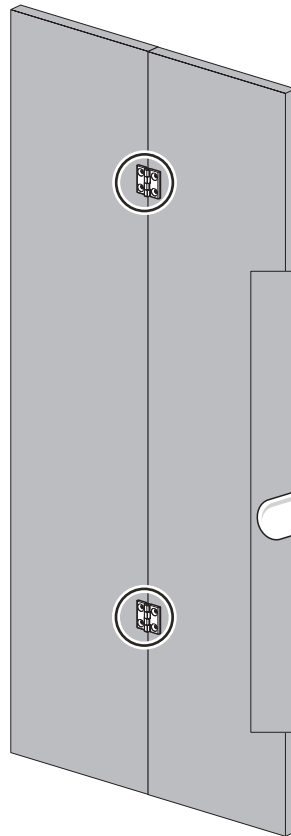
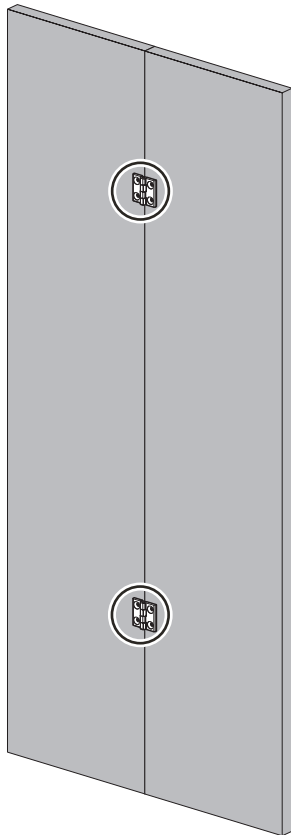
E



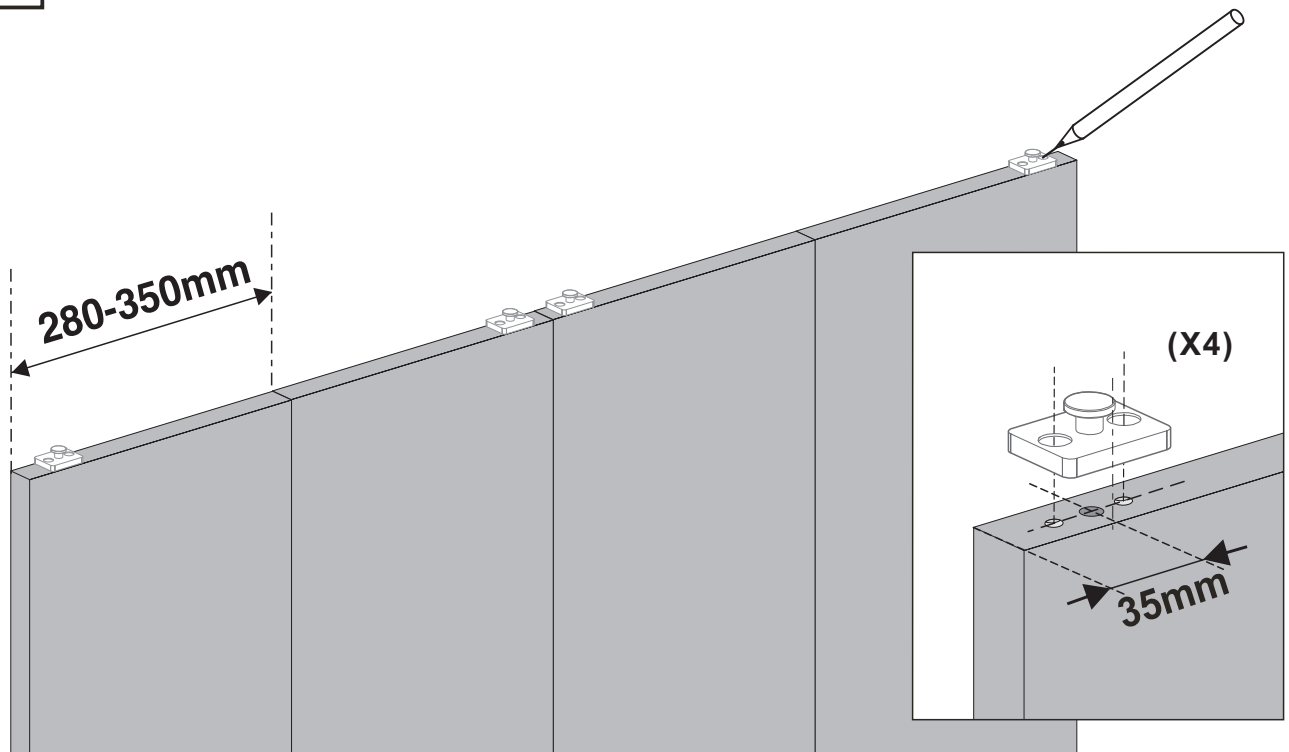
(x4)



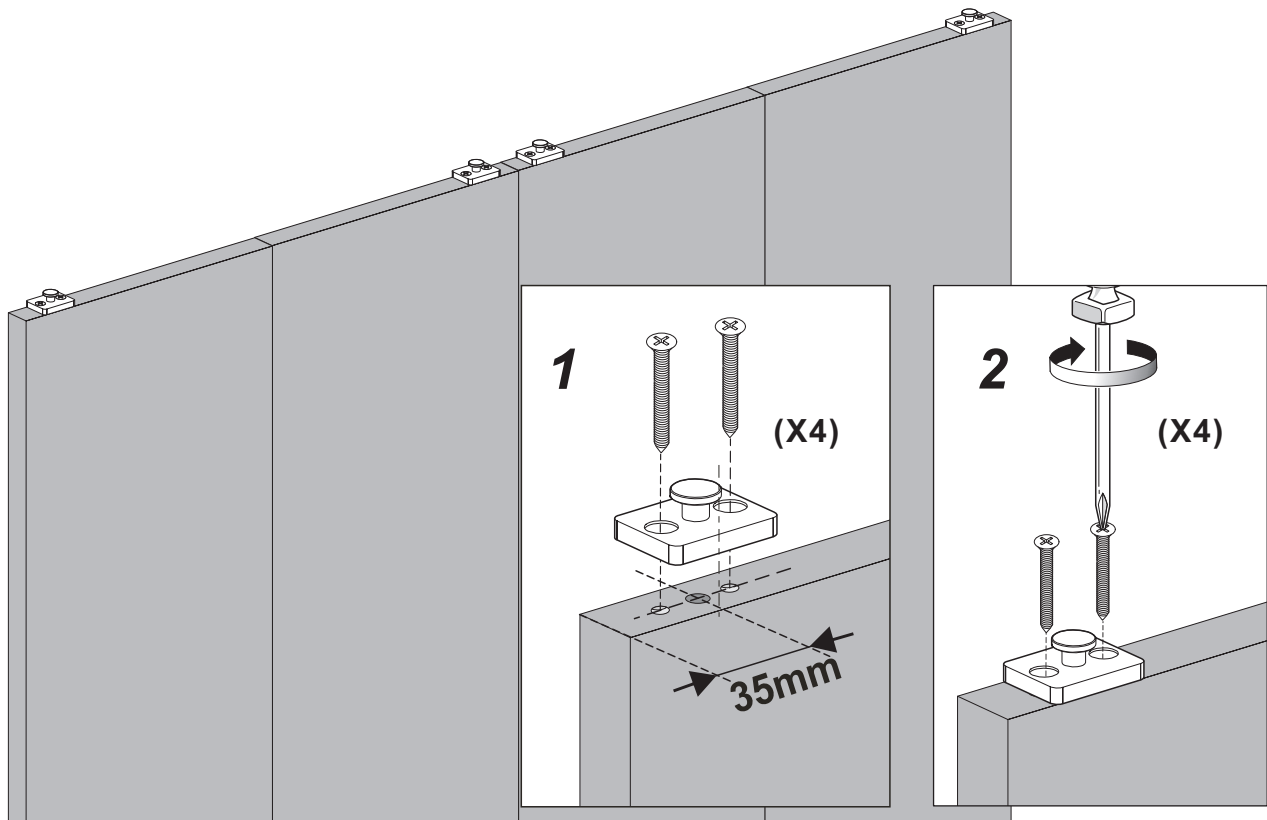
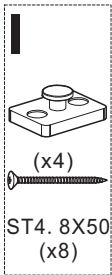
M6x25
(x16)



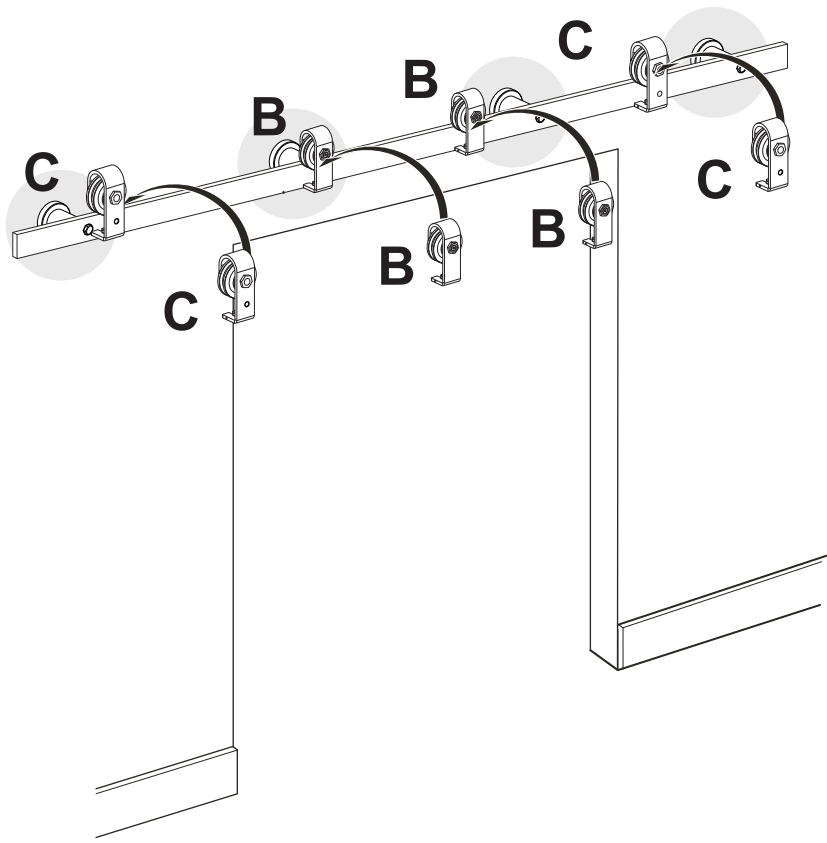
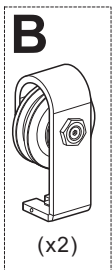
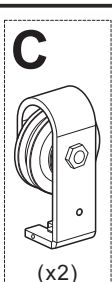
5



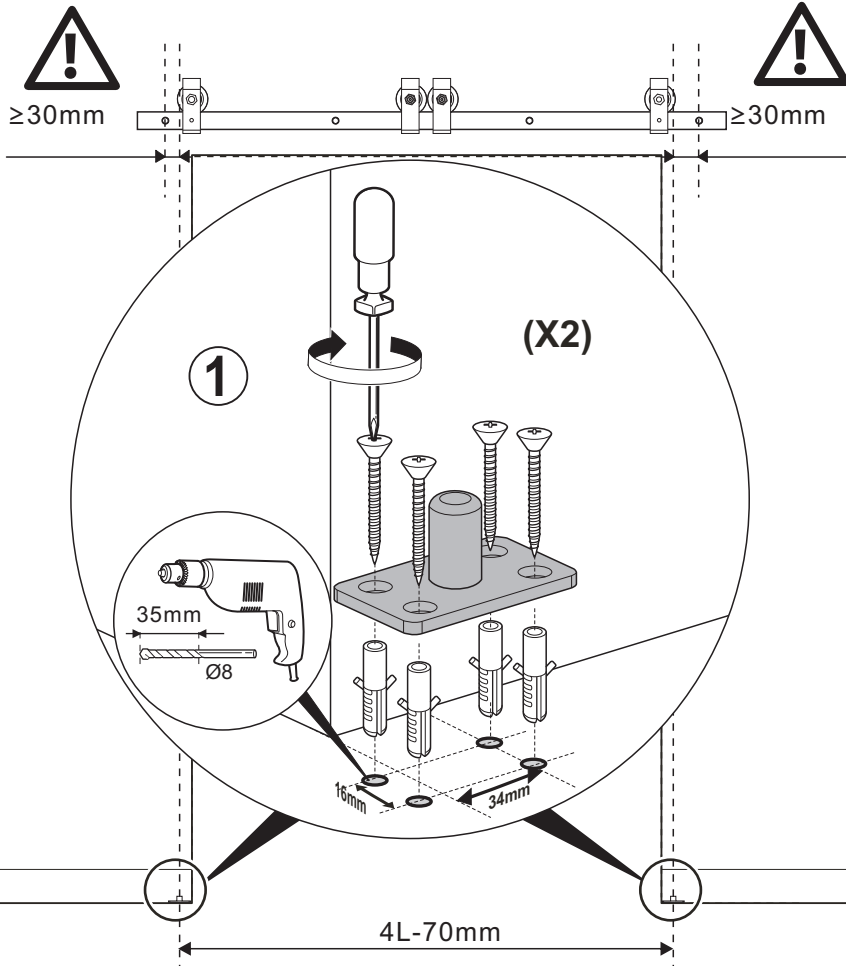
6



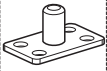
7



8



F



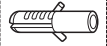
(x2)



(x2)



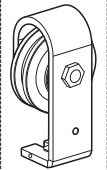
ST4. 2X32
(x8)



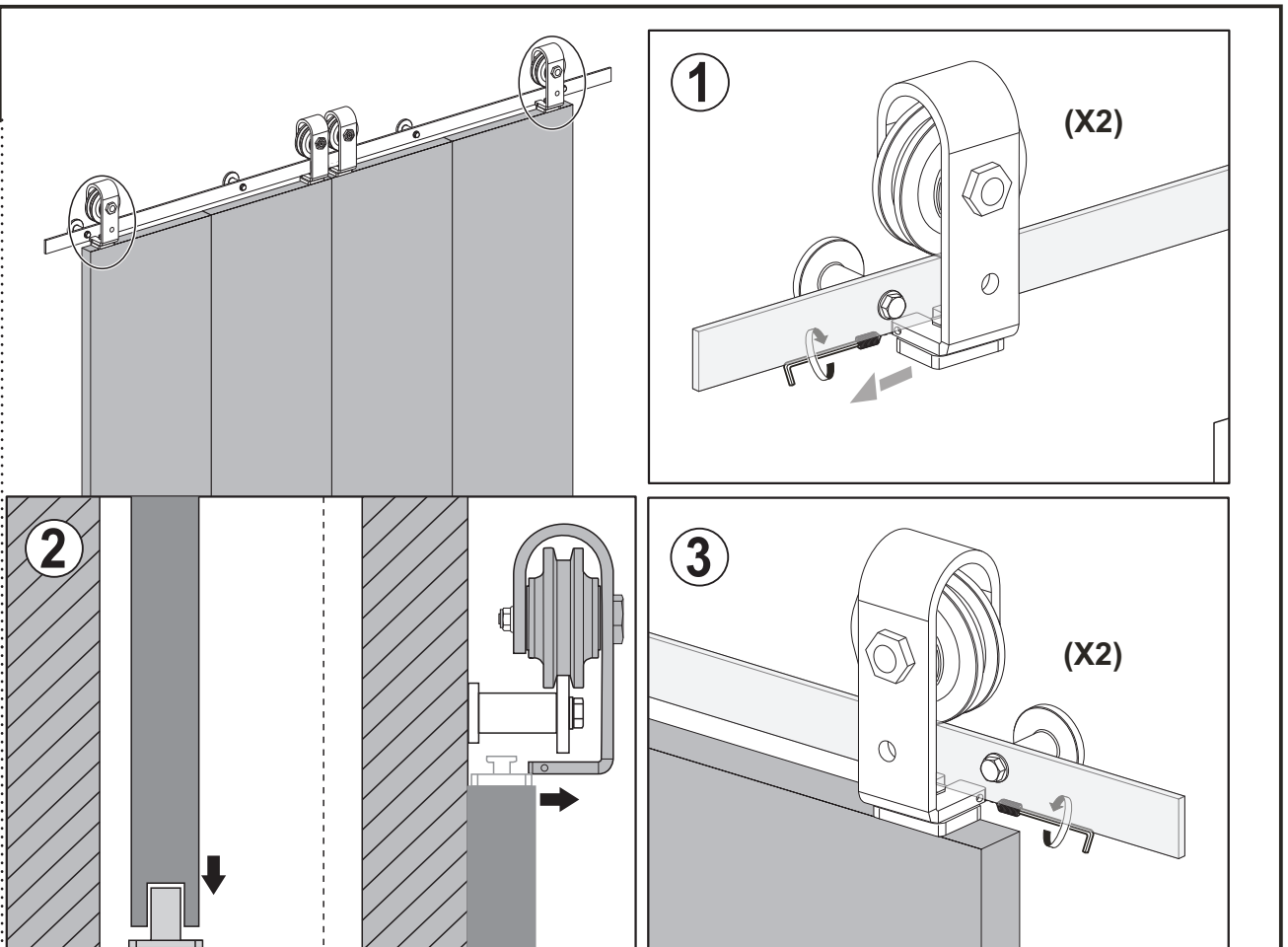
Ø8 (x8)

9

C



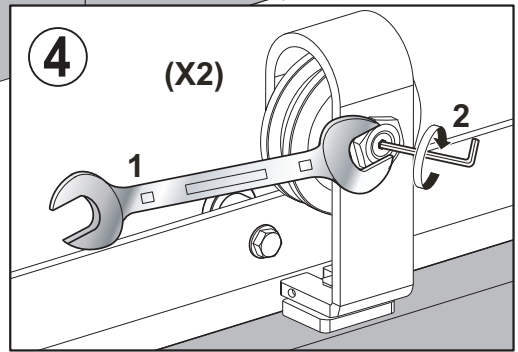
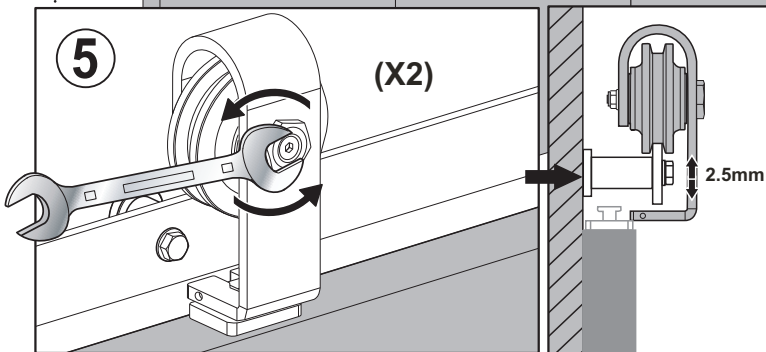
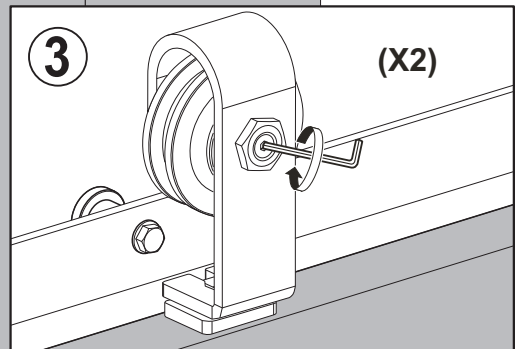
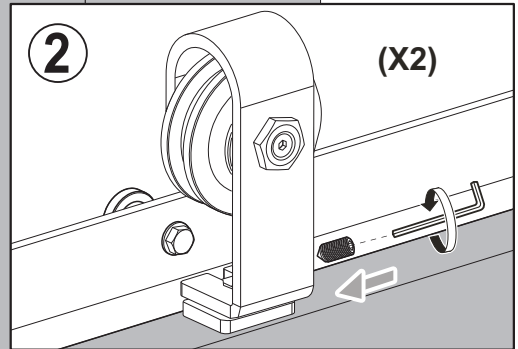
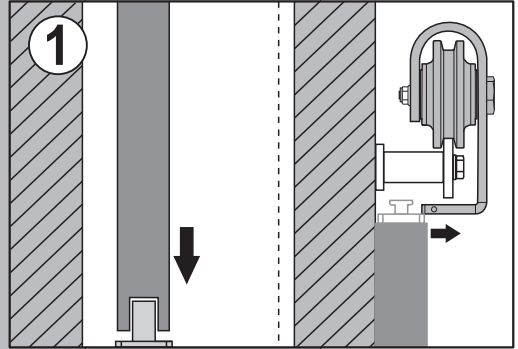
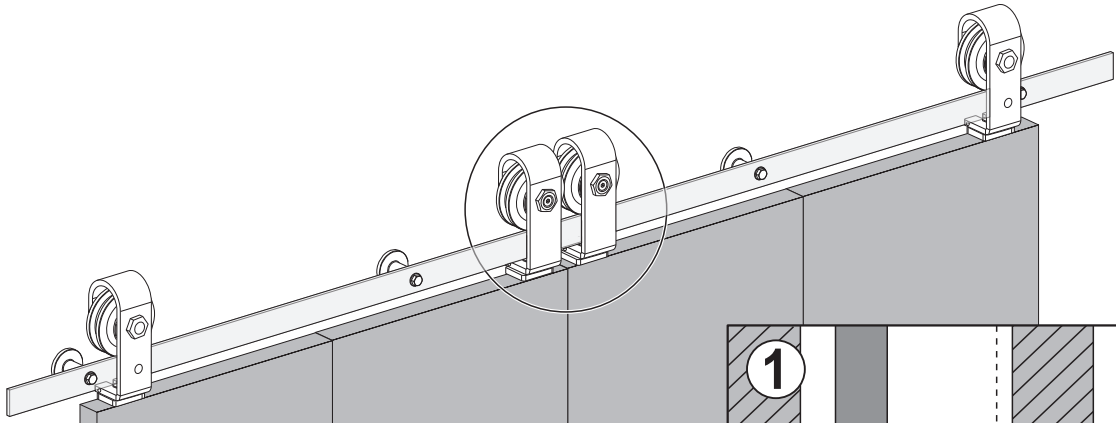
(x2)



B



(x2)



C



M5x26
(x2)



(x2)

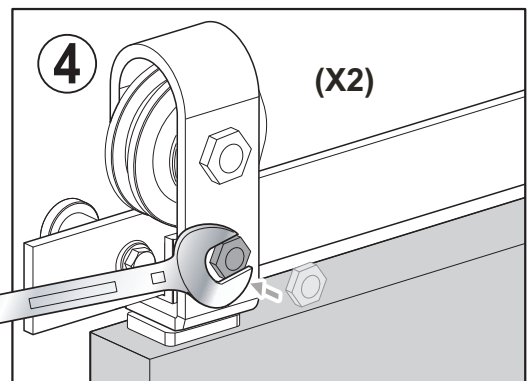
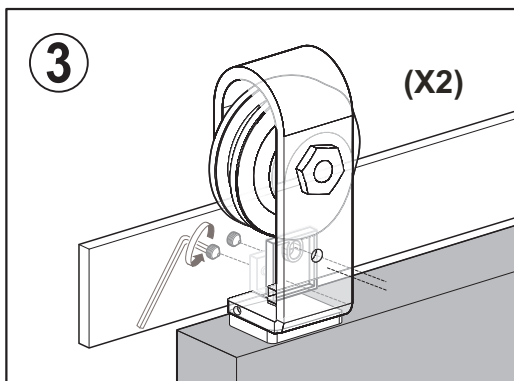
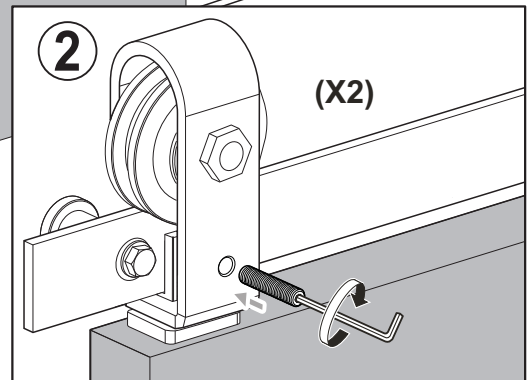
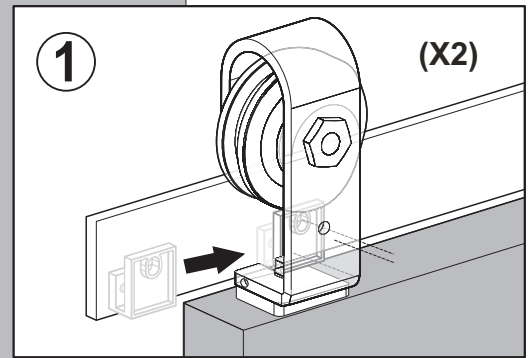
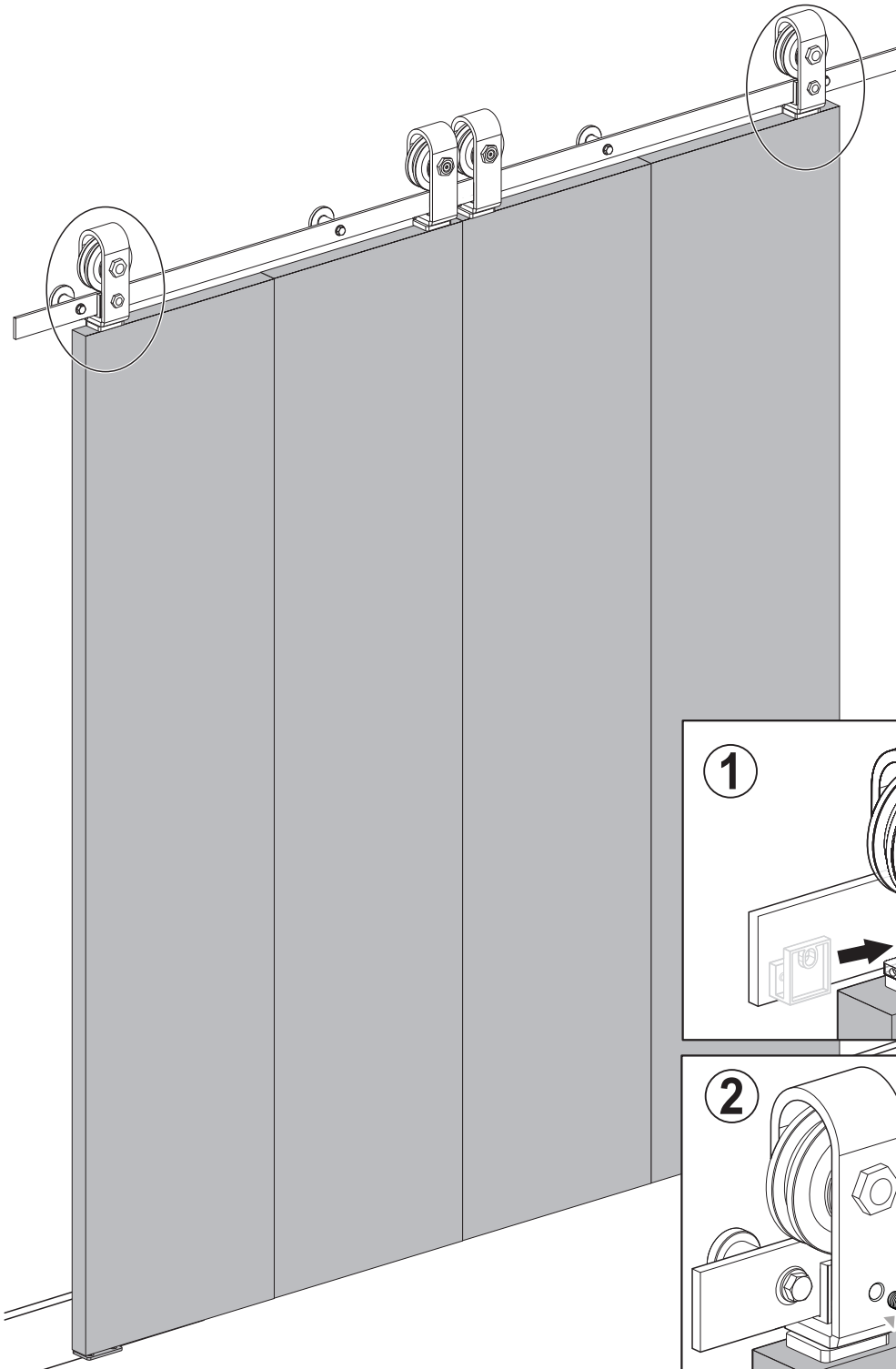
D



(x2)

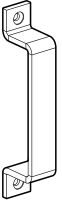


M5x6(x4)



12

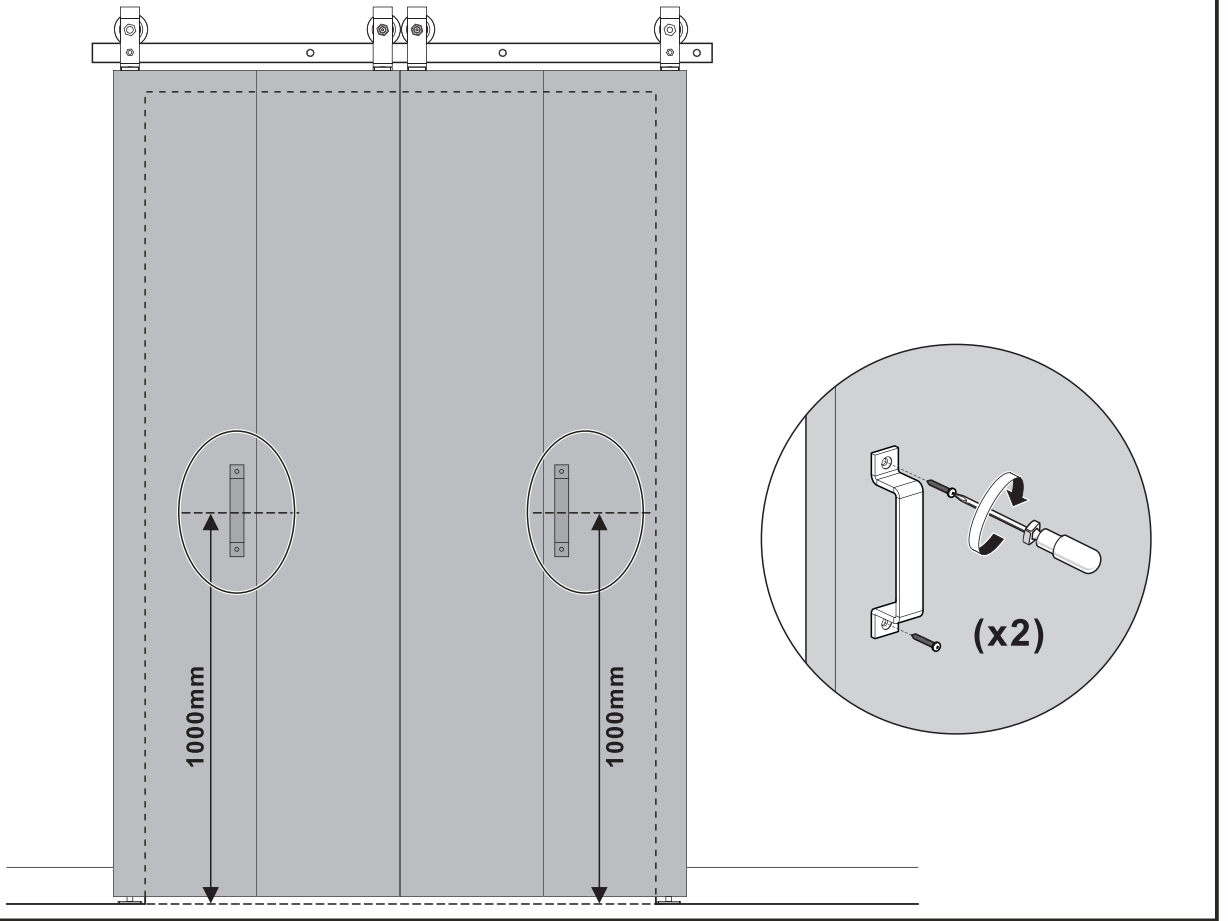
H



(x2)



ST5.5x32(x4)



13

J



(x2)

