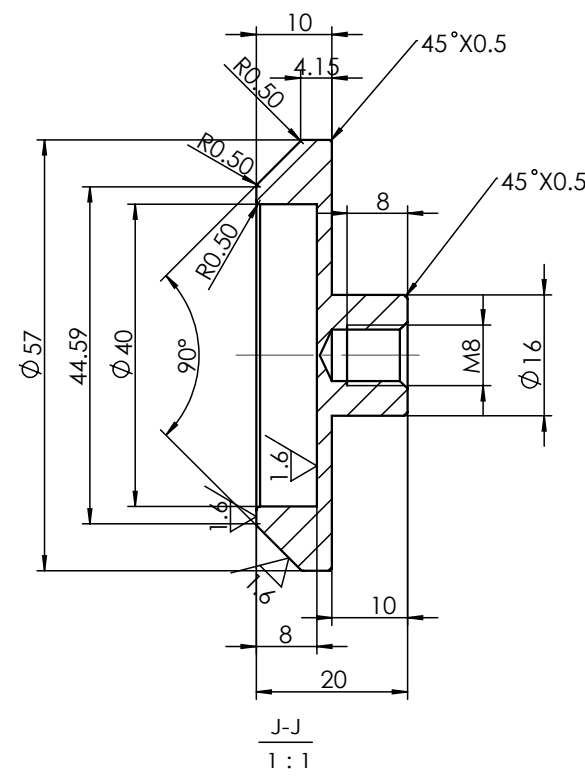
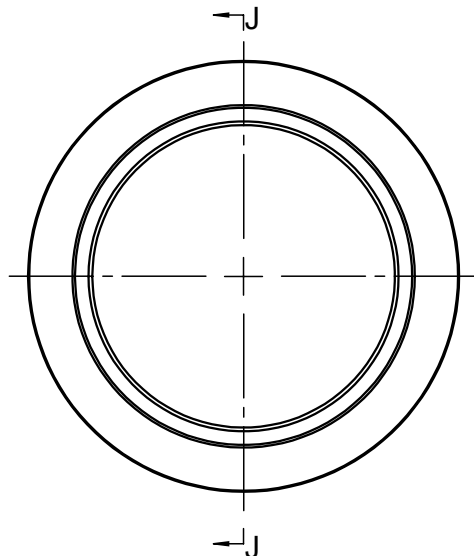
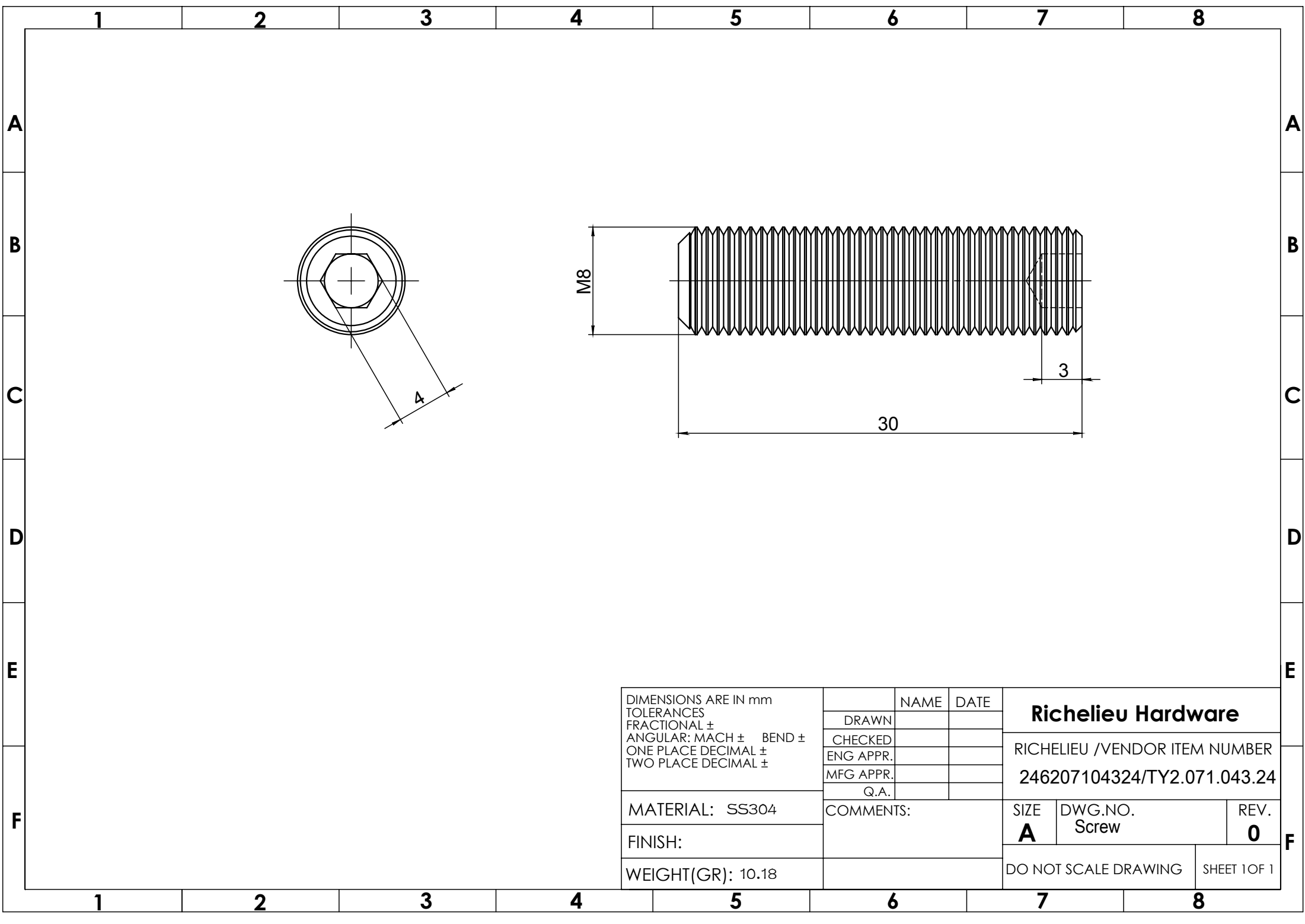


DIMENSIONS ARE IN mm TOLERANCES FRACTIONAL \pm ANGULAR: MACH \pm BEND \pm ONE PLACE DECIMAL \pm TWO PLACE DECIMAL \pm		NAME	DATE	Richelieu Hardware			
	DRAWN					RICHELIEU /VENDOR ITEM NUMBER 246207104324/TY2.071.043.24	
	CHECKED						
	ENG APPR.						
	MFG APPR.						
	Q.A.			SIZE	DWG.NO.	REV.	
MATERIAL: Aluminum Alloy	COMMENTS:			A	Knob 2	0	
FINISH: Silvery white				DO NOT SCALE DRAWING		SHEET 1 OF 1	
WEIGHT(GR): 91							



DIMENSIONS ARE IN mm TOLERANCES FRACTIONAL ± ANGULAR: MACH ± BEND ± ONE PLACE DECIMAL ± TWO PLACE DECIMAL ±		NAME	DATE	Richelieu Hardware		
	DRAWN					RICHELIEU /VENDOR ITEM NUMBER 246207104324/TY2.071.043.24
	CHECKED			SIZE	DWG.NO.	
	ENG APPR.			A	handle body	0
	MFG APPR.			DO NOT SCALE DRAWING		SHEET 1 OF 1
	Q.A.					
MATERIAL: Aluminum Alloy	COMMENTS:					
FINISH: Silvery white						
WEIGHT(GR): 38						



DIMENSIONS ARE IN mm TOLERANCES FRACTIONAL ± ANGULAR: MACH ± BEND ± ONE PLACE DECIMAL ± TWO PLACE DECIMAL ±		NAME	DATE	Richelieu Hardware		
	DRAWN					
	CHECKED			RICHELIEU /VENDOR ITEM NUMBER 246207104324/TY2.071.043.24		
	ENG APPR.					
	MFG APPR.					
	Q.A.			SIZE	DWG.NO.	REV.
MATERIAL: SS304	COMMENTS:			A	Screw	0
FINISH:						
WEIGHT(GR): 10.18			DO NOT SCALE DRAWING		SHEET 1 OF 1	