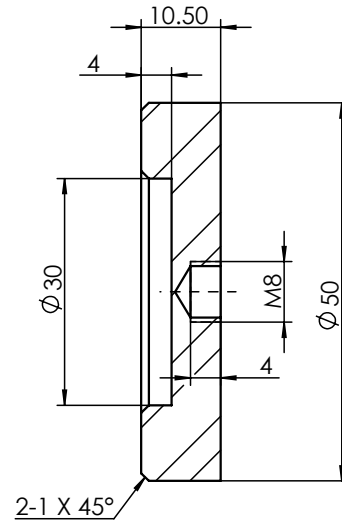
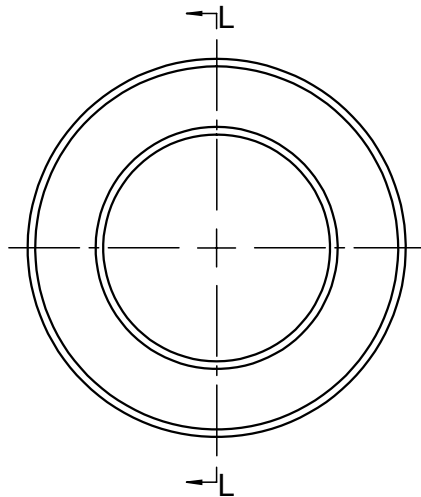
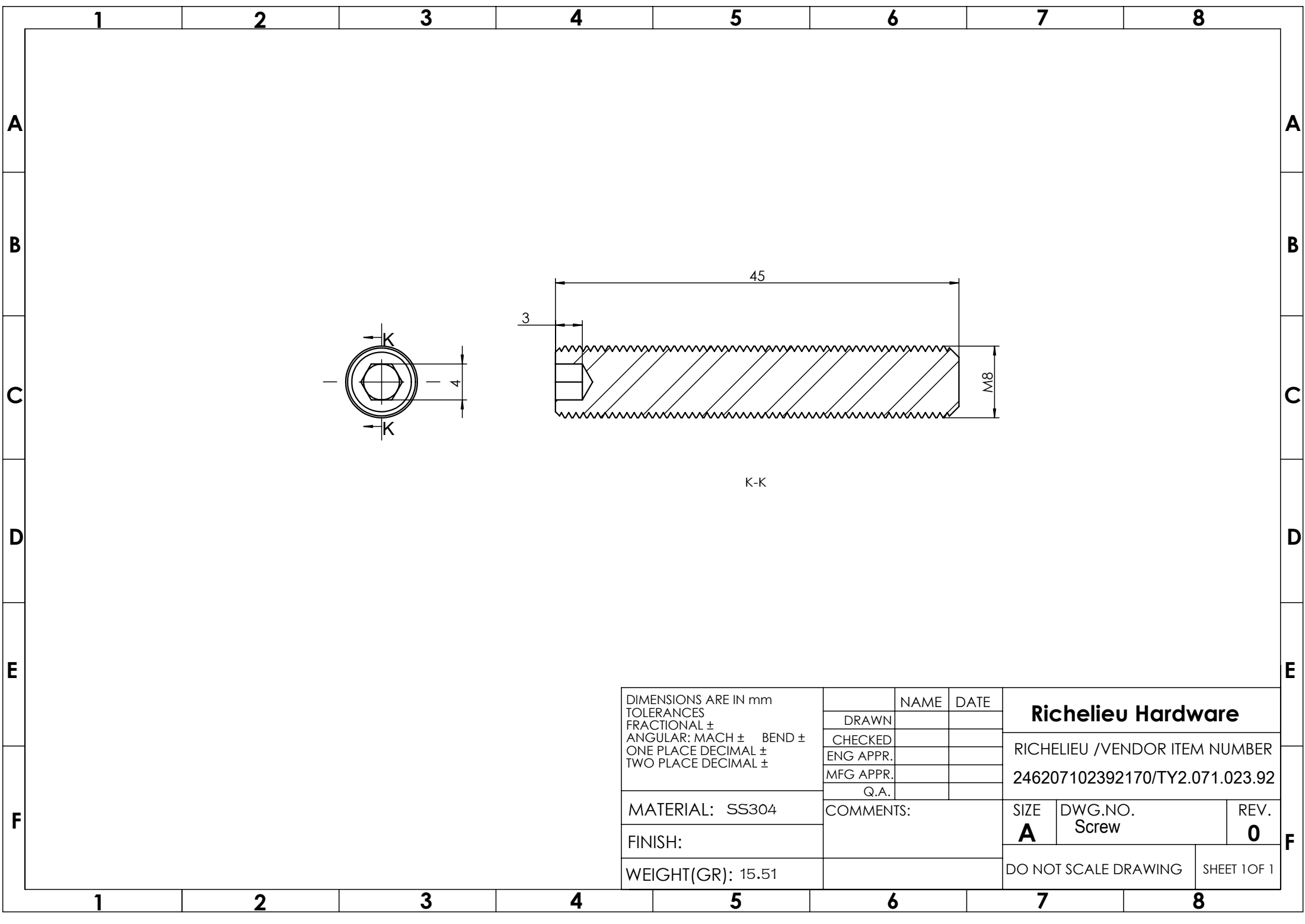


DIMENSIONS ARE IN mm TOLERANCES FRACTIONAL ± ANGULAR: MACH ± BEND ± ONE PLACE DECIMAL ± TWO PLACE DECIMAL ±		NAME	DATE	Richelieu Hardware	
	DRAWN				
	CHECKED			SIZE A DWG.NO. Knob 1 Black REV. 0	
	ENG APPR.				
	MFG APPR.				DO NOT SCALE DRAWING SHEET 1 OF 1
Q.A.					
MATERIAL: Steel	COMMENTS:				
FINISH: Matt black					
WEIGHT(GR): 299.06					



L-L

DIMENSIONS ARE IN mm TOLERANCES FRACTIONAL ± ANGULAR: MACH ± BEND ± ONE PLACE DECIMAL ± TWO PLACE DECIMAL ±		NAME	DATE	Richelieu Hardware			
	DRAWN					RICHELIEU /VENDOR ITEM NUMBER 24620710232690/TY2.071.023.26	
	CHECKED						
	ENG APPR.						
	MFG APPR.						
	Q.A.			SIZE	DWG.NO.	REV.	
MATERIAL: Steel	COMMENTS:			A	handle body(black)	0	
FINISH: Matt black				DO NOT SCALE DRAWING		SHEET 1 OF 1	
WEIGHT(GR): 139.95							



DIMENSIONS ARE IN mm TOLERANCES FRACTIONAL ± ANGULAR: MACH ± BEND ± ONE PLACE DECIMAL ± TWO PLACE DECIMAL ±		NAME	DATE	Richelieu Hardware		
	DRAWN					
	CHECKED			RICHELIEU /VENDOR ITEM NUMBER 246207102392170/TY2.071.023.92		
	ENG APPR.					
	MFG APPR.					
	Q.A.					
MATERIAL: SS304	COMMENTS:		SIZE	DWG.NO.		REV.
FINISH:			A	Screw		0
WEIGHT(GR): 15.51			DO NOT SCALE DRAWING		SHEET 1 OF 1	