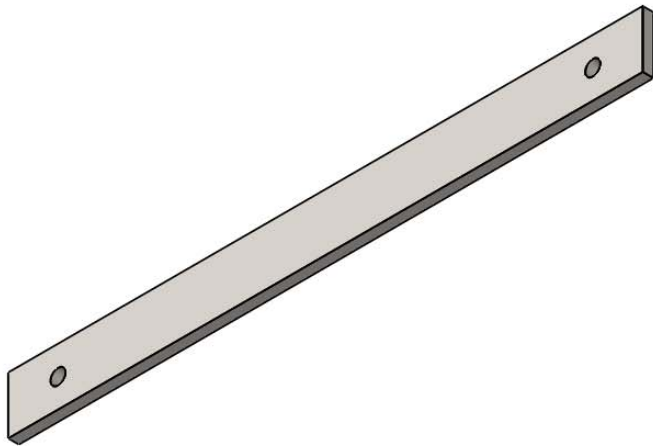
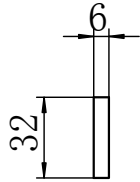
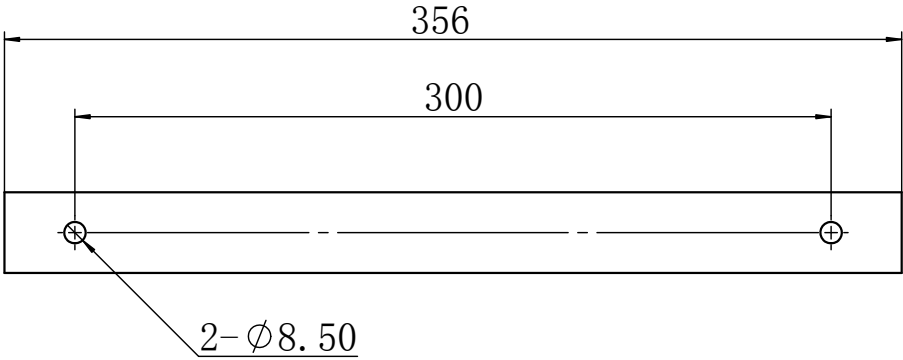
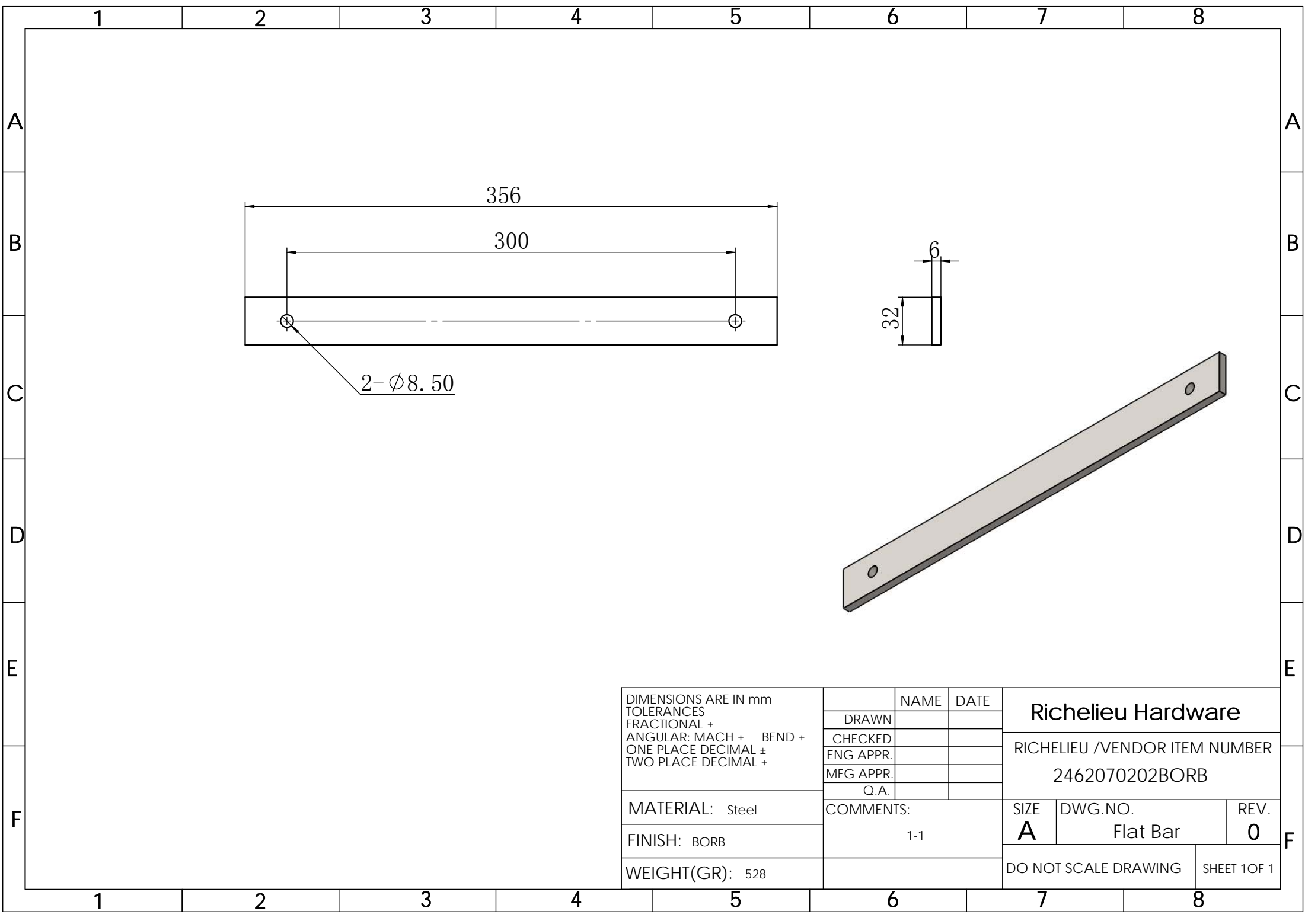
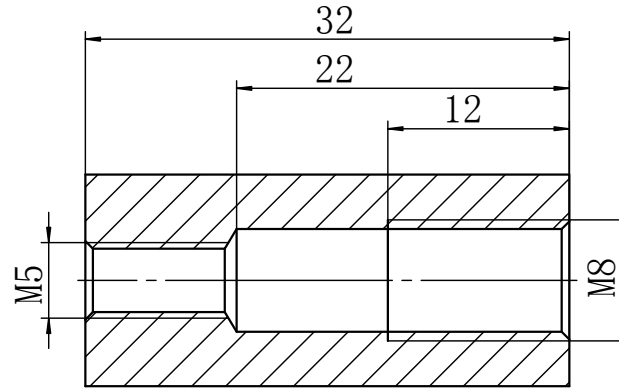
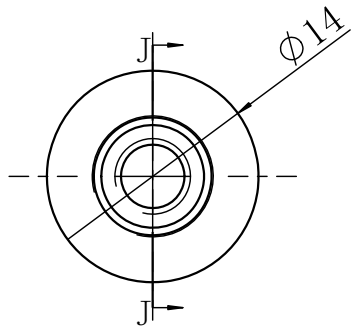


Item	DWG NO	Quantity	DIMENSIONS ARE IN mm TOLERANCES FRACTIONAL ± ANGULAR: MACH ± BEND ± ONE PLACE DECIMAL ± TWO PLACE DECIMAL ±	NAME	DATE	Richelieu Hardware		
1	Flat Bar	2		MATERIAL: Steel FINISH: BORB WEIGHT(GR): 1245	DRAWN		RICHELIEU /VENDOR ITEM NUMBER	
2	Handle Support	4	CHECKED			2462070202BORB		
3	Screw	4	ENG APPR.			SIZE	DWG.NO.	REV.
4	Washer	4	MFG APPR.			A	Handle	0
5	Screw	2	Q.A.			DO NOT SCALE DRAWING		SHEET 1OF 1
				COMMENTS:	1			



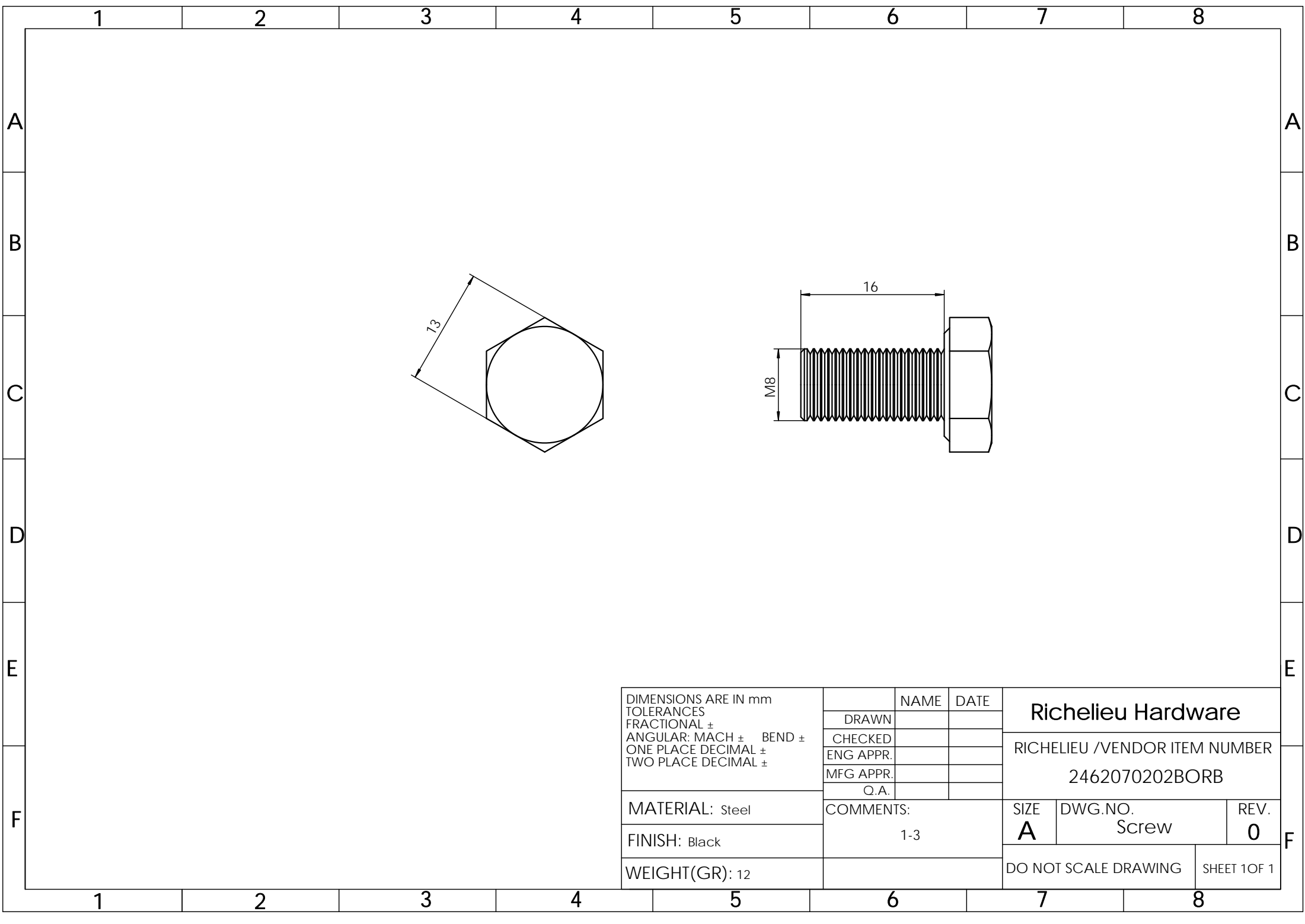
DIMENSIONS ARE IN mm TOLERANCES FRACTIONAL ± ANGULAR: MACH ± BEND ± ONE PLACE DECIMAL ± TWO PLACE DECIMAL ±		NAME	DATE	Richelieu Hardware		
	DRAWN					
	CHECKED			RICHELIEU /VENDOR ITEM NUMBER 2462070202BORB		
	ENG APPR.					
	MFG APPR.					
	Q.A.			SIZE	DWG.NO.	REV.
MATERIAL: Steel	COMMENTS:		A		Flat Bar	0
FINISH: BORB	1-1		DO NOT SCALE DRAWING		SHEET 1OF 1	
WEIGHT(GR): 528						



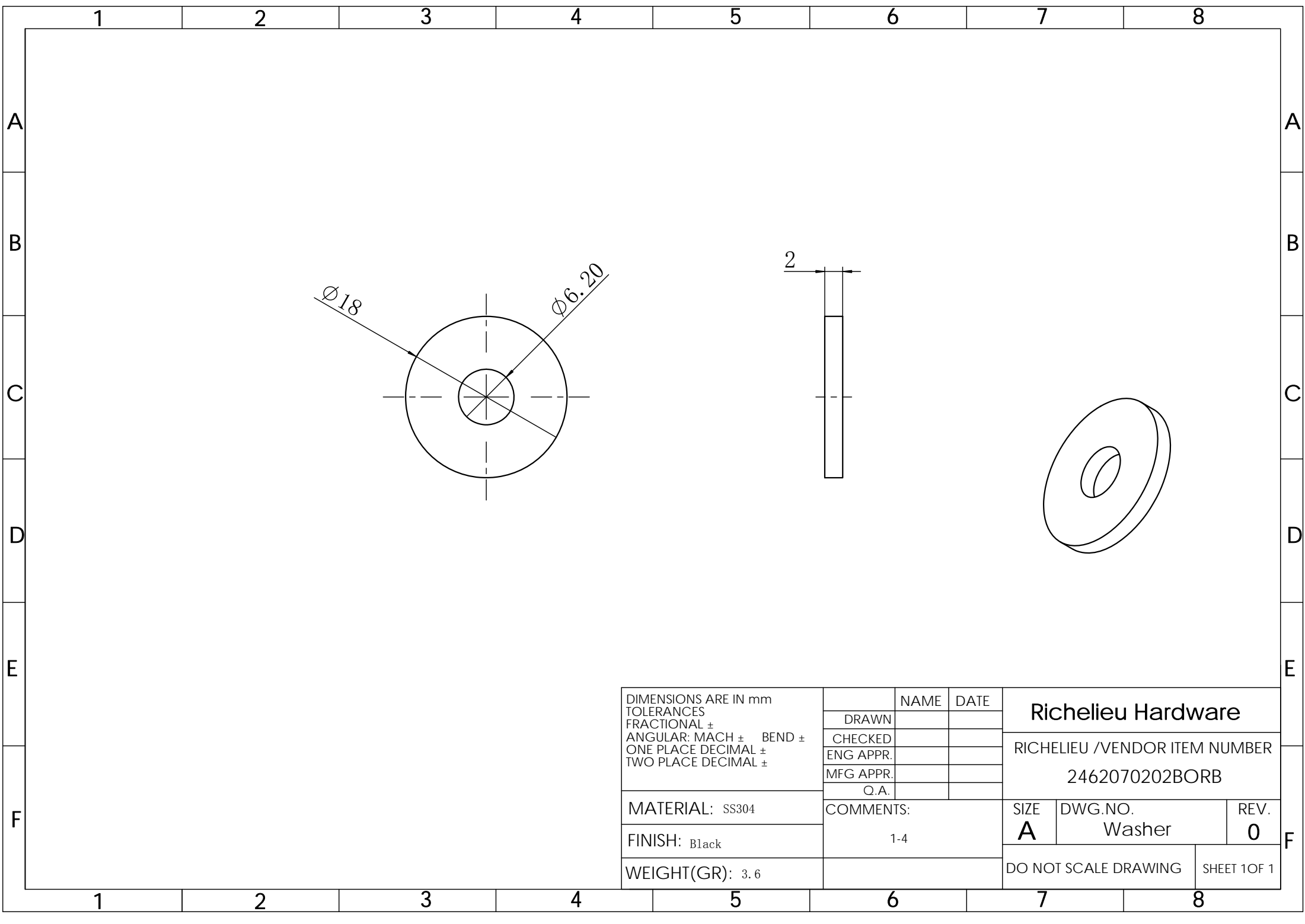
J-J



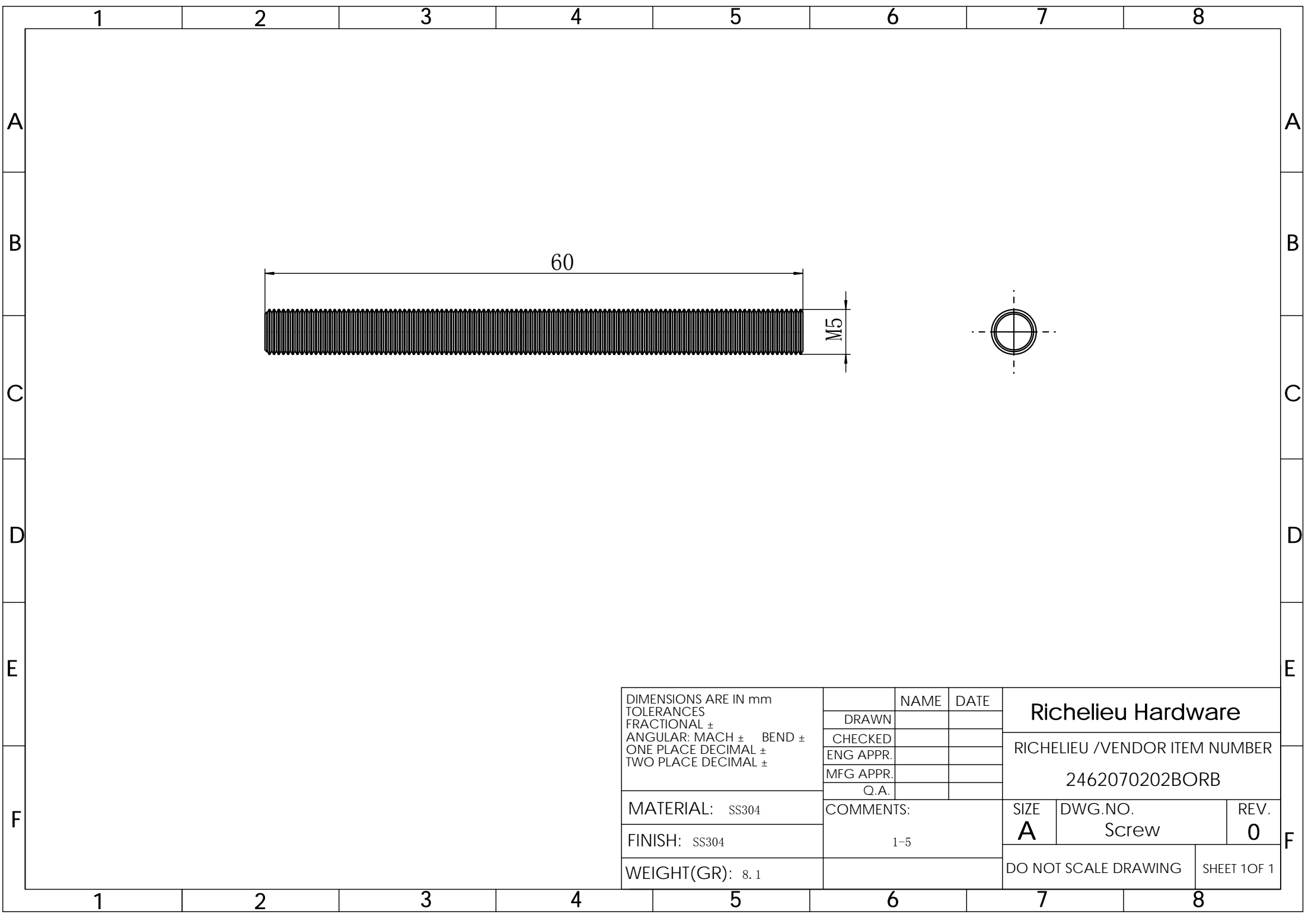
DIMENSIONS ARE IN mm TOLERANCES FRACTIONAL ± ANGULAR: MACH ± BEND ± ONE PLACE DECIMAL ± TWO PLACE DECIMAL ±		NAME	DATE	Richelieu Hardware			
	DRAWN					RICHELIEU /VENDOR ITEM NUMBER 2462070202BORB	
	CHECKED						
	ENG APPR.						
	MFG APPR.						
	Q.A.			SIZE	DWG.NO.	REV.	
MATERIAL: Steel	COMMENTS:		1-2		A	Handle Support	0
FINISH: BORB					DO NOT SCALE DRAWING		SHEET 1OF 1
WEIGHT(GR): 32							



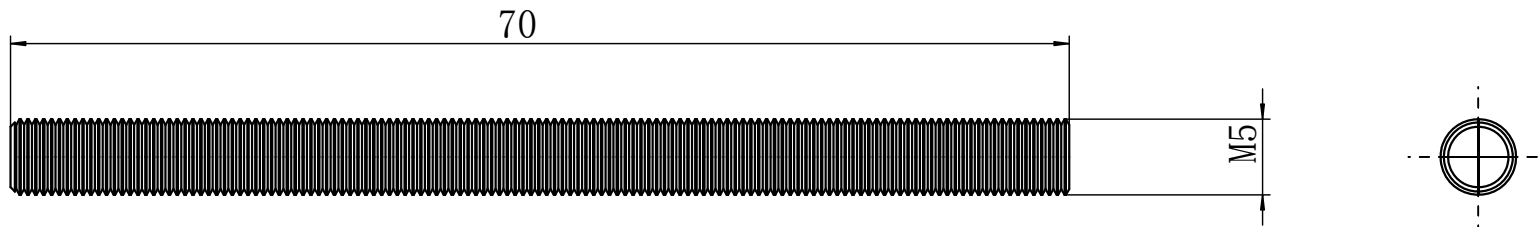
DIMENSIONS ARE IN mm TOLERANCES FRACTIONAL ± ANGULAR: MACH ± BEND ± ONE PLACE DECIMAL ± TWO PLACE DECIMAL ±		NAME	DATE	Richelieu Hardware		
	DRAWN					
	CHECKED			RICHELIEU /VENDOR ITEM NUMBER 2462070202BORB		
	ENG APPR.					
	MFG APPR.					
	Q.A.			SIZE	DWG.NO.	REV.
MATERIAL: Steel	COMMENTS: 1-3		A Screw		0	
FINISH: Black			DO NOT SCALE DRAWING		SHEET 1OF 1	
WEIGHT(GR): 12						



DIMENSIONS ARE IN mm TOLERANCES FRACTIONAL \pm ANGULAR: MACH \pm BEND \pm ONE PLACE DECIMAL \pm TWO PLACE DECIMAL \pm		NAME	DATE	Richelieu Hardware		
	DRAWN					RICHELIEU /VENDOR ITEM NUMBER 2462070202BORB
	CHECKED					
	ENG APPR.					
	MFG APPR.					
	Q.A.			SIZE	DWG.NO.	REV.
MATERIAL: SS304	COMMENTS: 1-4		A		Washer	0
FINISH: Black			DO NOT SCALE DRAWING		SHEET 1OF 1	
WEIGHT(GR): 3.6						



DIMENSIONS ARE IN mm TOLERANCES FRACTIONAL ± ANGULAR: MACH ± BEND ± ONE PLACE DECIMAL ± TWO PLACE DECIMAL ±		NAME	DATE	Richelieu Hardware		
	DRAWN					RICHELIEU /VENDOR ITEM NUMBER 2462070202BORB
	CHECKED					
	ENG APPR.					
	MFG APPR.					
	Q.A.			SIZE	DWG.NO.	REV.
MATERIAL: SS304	COMMENTS: 1-5		A Screw		0	
FINISH: SS304			DO NOT SCALE DRAWING		SHEET 1OF 1	
WEIGHT(GR): 8.1						



DIMENSIONS ARE IN mm TOLERANCES FRACTIONAL ± ANGULAR: MACH ± BEND ± ONE PLACE DECIMAL ± TWO PLACE DECIMAL ±		NAME	DATE	Richelieu Hardware		
	DRAWN					RICHELIEU /VENDOR ITEM NUMBER 2462070202BORB
	CHECKED					
	ENG APPR.					
	MFG APPR.					
	Q.A.			SIZE	DWG.NO.	REV.
MATERIAL: SS304	COMMENTS: 2		A Screw		0	
FINISH: SS304			DO NOT SCALE DRAWING		SHEET 1OF 1	
WEIGHT(GR): 10						