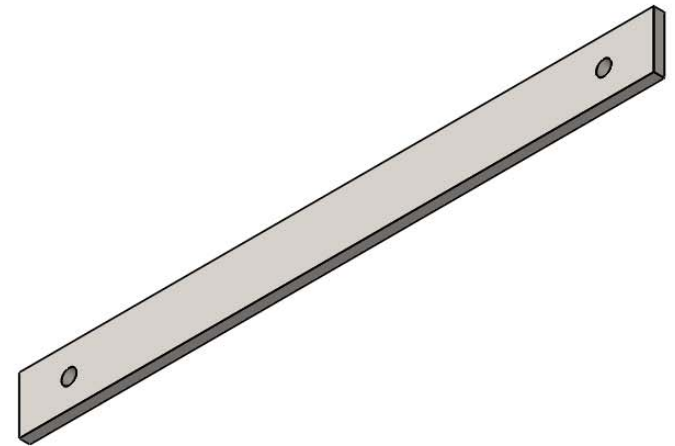
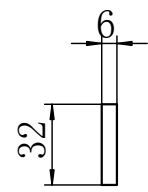
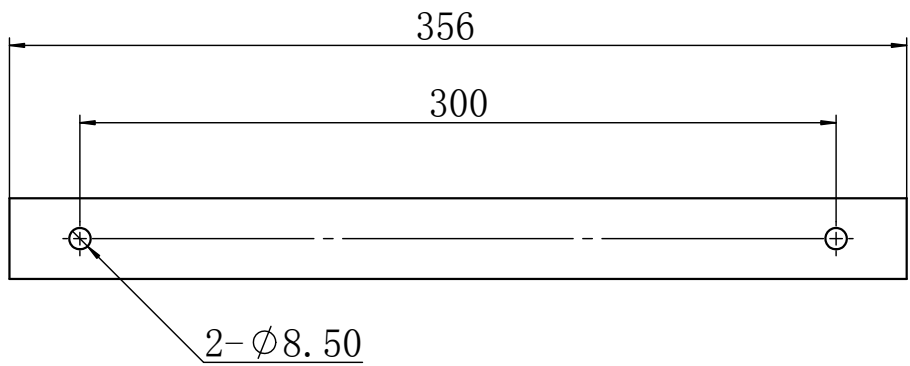
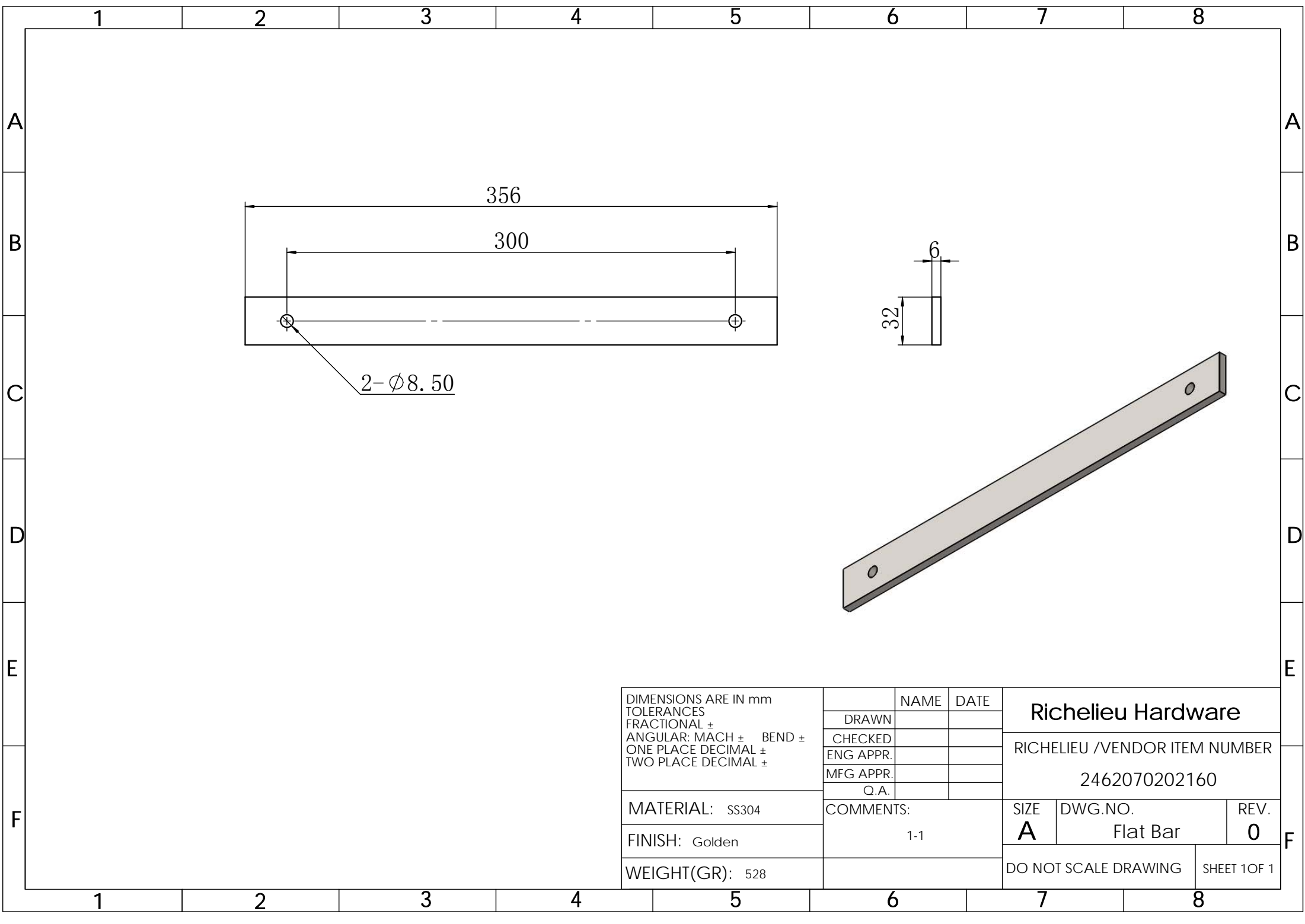
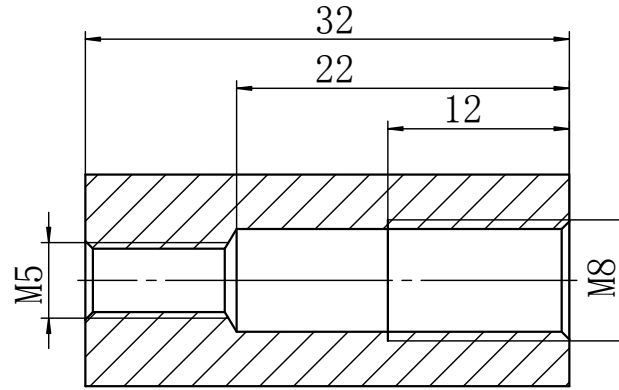
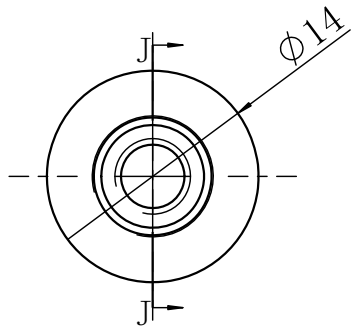


Item	DWG NO	Quantity	DIMENSIONS ARE IN mm TOLERANCES FRACTIONAL ± ANGULAR: MACH ± BEND ± ONE PLACE DECIMAL ± TWO PLACE DECIMAL ±	NAME	DATE	Richelieu Hardware		
1	Flat Bar	2	MATERIAL: SS304 FINISH: Golden	DRAWN		RICHELIEU /VENDOR ITEM NUMBER		
2	Handle Support	4		WEIGHT(GR): 1245	CHECKED		2462070202160	
3	Screw	4	COMMENTS: 1		ENG APPR.		SIZE	DWG.NO.
4	Washer	4		DO NOT SCALE DRAWING	MFG APPR.		A	Handle
5	Screw	2	SHEET 1 OF 1		Q.A.			



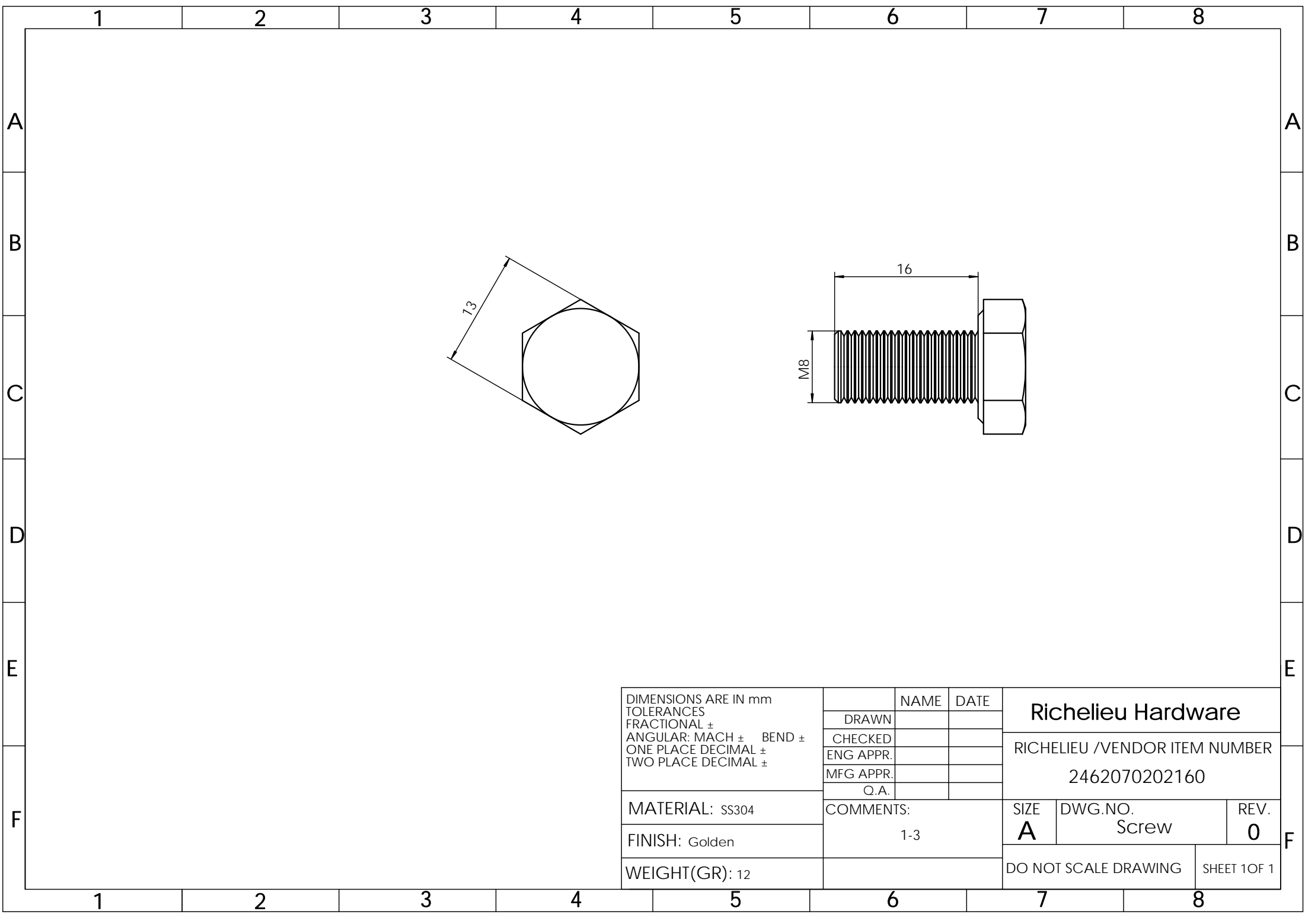
DIMENSIONS ARE IN mm TOLERANCES FRACTIONAL \pm ANGULAR: MACH \pm BEND \pm ONE PLACE DECIMAL \pm TWO PLACE DECIMAL \pm		NAME	DATE	Richelieu Hardware		
	DRAWN					RICHELIEU /VENDOR ITEM NUMBER 2462070202160
	CHECKED					
	ENG APPR.					
	MFG APPR.					
	Q.A.			SIZE	DWG.NO.	REV.
MATERIAL: SS304	COMMENTS: 1-1		A		Flat Bar	0
FINISH: Golden			DO NOT SCALE DRAWING		SHEET 1OF 1	
WEIGHT(GR): 528						



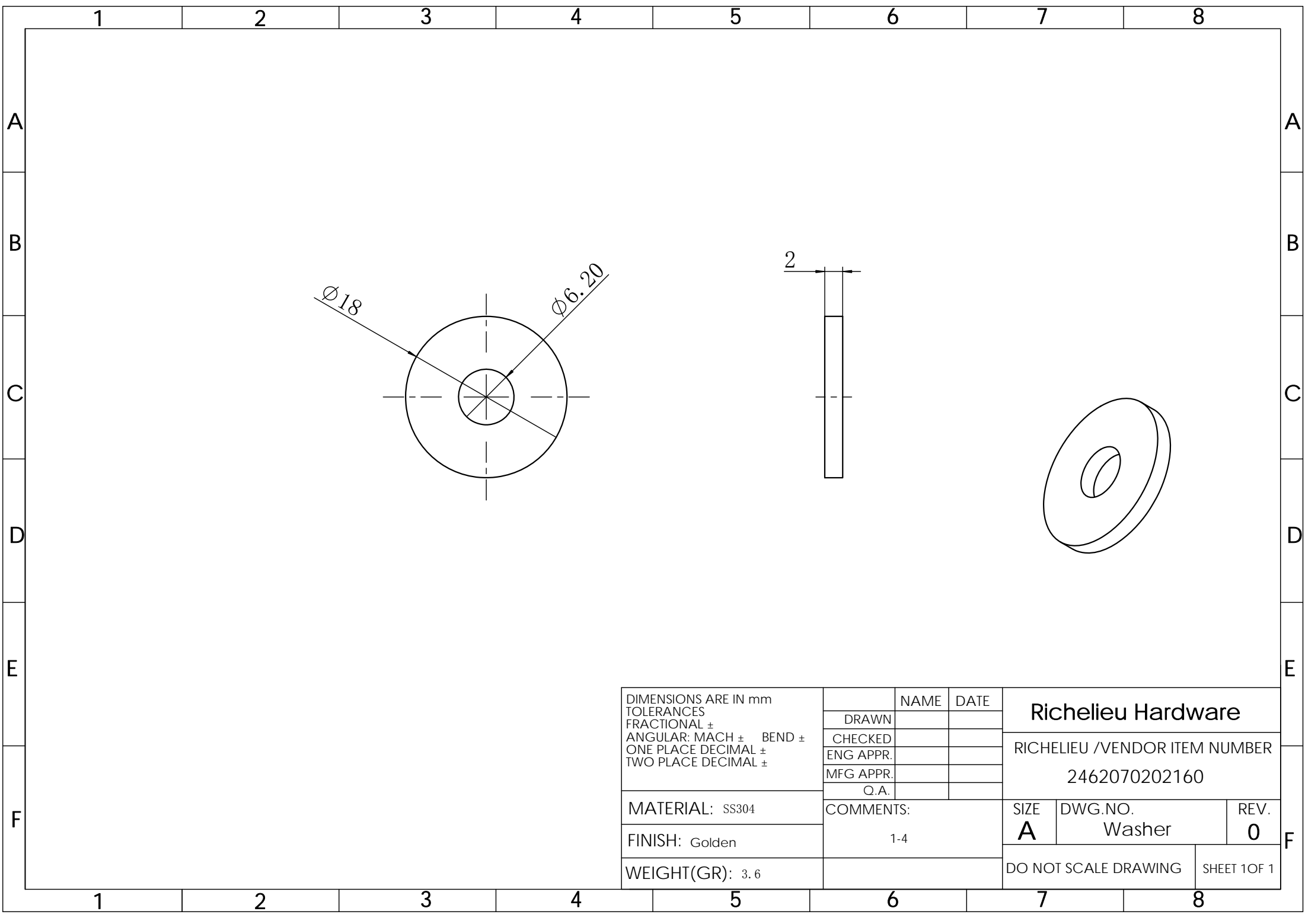
J-J



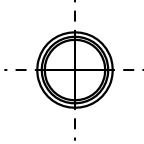
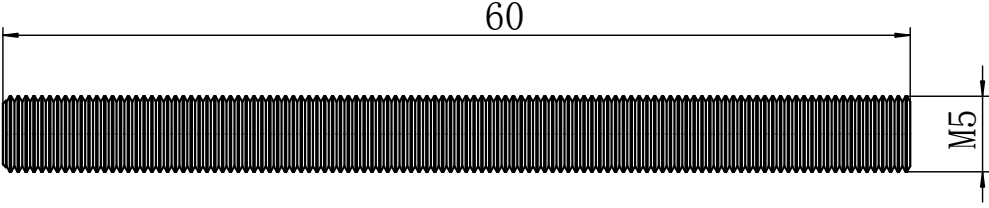
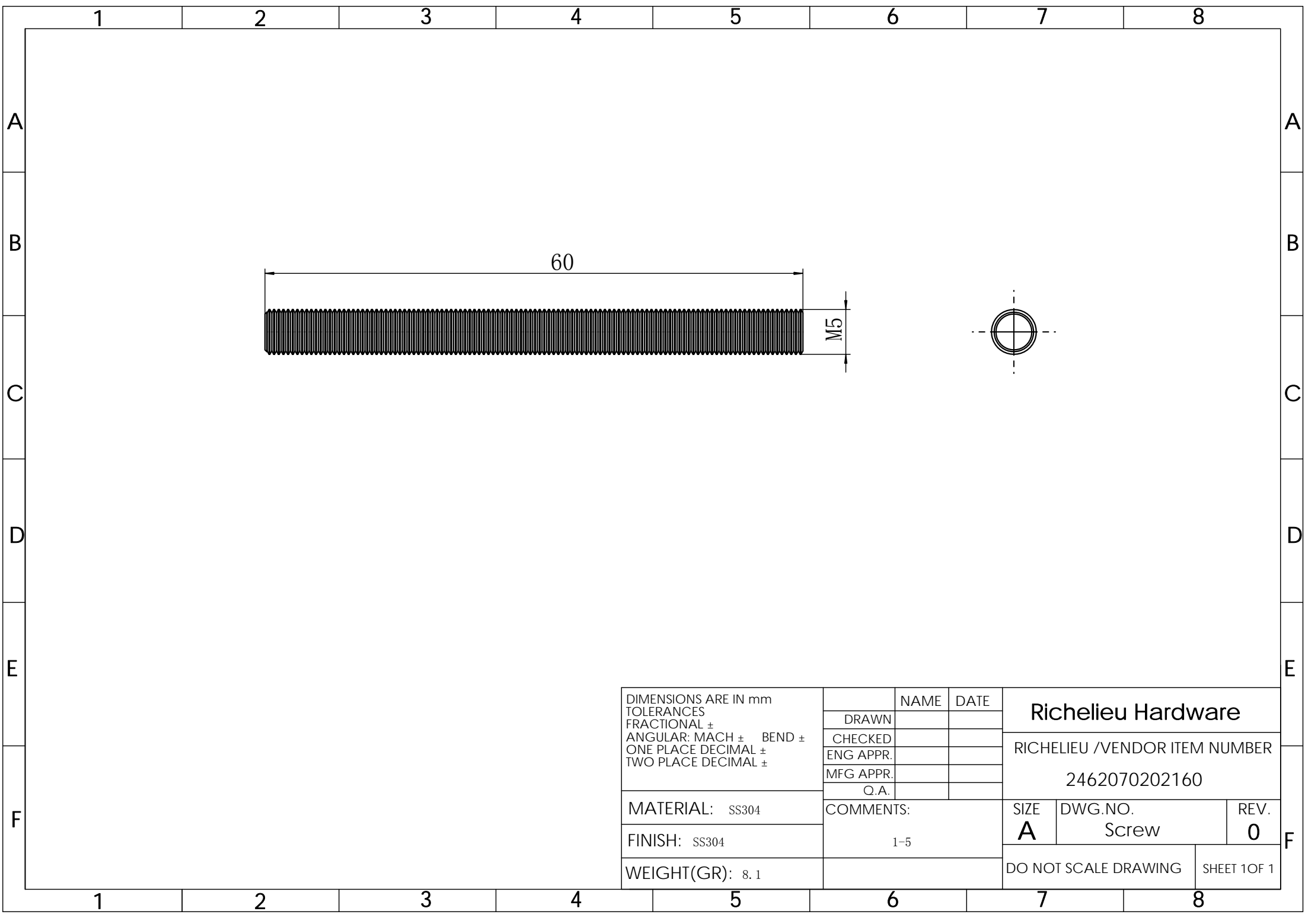
DIMENSIONS ARE IN mm TOLERANCES FRACTIONAL ± ANGULAR: MACH ± BEND ± ONE PLACE DECIMAL ± TWO PLACE DECIMAL ±		NAME	DATE	Richelieu Hardware		
	DRAWN					RICHELIEU /VENDOR ITEM NUMBER 2462070202160
	CHECKED					
	ENG APPR.					
	MFG APPR.					
	Q.A.			SIZE	DWG.NO.	REV.
MATERIAL: SS304	COMMENTS: 1-2		A		Handle Support	0
FINISH: Golden			DO NOT SCALE DRAWING		SHEET 1OF 1	
WEIGHT(GR): 32						



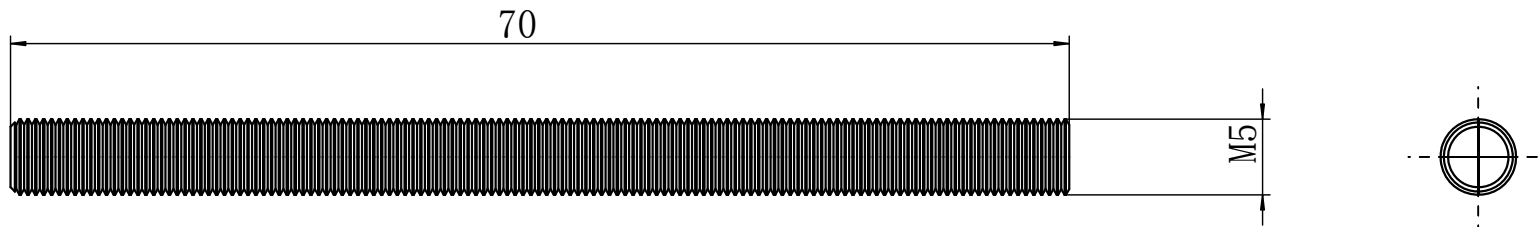
DIMENSIONS ARE IN mm TOLERANCES FRACTIONAL ± ANGULAR: MACH ± BEND ± ONE PLACE DECIMAL ± TWO PLACE DECIMAL ±		NAME	DATE	Richelieu Hardware		
	DRAWN					
	CHECKED			RICHELIEU /VENDOR ITEM NUMBER 2462070202160		
	ENG APPR.					
	MFG APPR.					
	Q.A.			SIZE	DWG.NO.	REV.
MATERIAL: SS304	COMMENTS:			A	Screw	0
FINISH: Golden	1-3			DO NOT SCALE DRAWING		SHEET 1OF 1
WEIGHT(GR): 12						



DIMENSIONS ARE IN mm TOLERANCES FRACTIONAL ± ANGULAR: MACH ± BEND ± ONE PLACE DECIMAL ± TWO PLACE DECIMAL ±		NAME	DATE	Richelieu Hardware		
	DRAWN					RICHELIEU /VENDOR ITEM NUMBER 2462070202160
	CHECKED					
	ENG APPR.					
	MFG APPR.					
	Q.A.			SIZE	DWG.NO.	REV.
MATERIAL: SS304	COMMENTS:			A	Washer	0
FINISH: Golden	1-4			DO NOT SCALE DRAWING		SHEET 1OF 1
WEIGHT(GR): 3.6						



DIMENSIONS ARE IN mm TOLERANCES FRACTIONAL ± ANGULAR: MACH ± BEND ± ONE PLACE DECIMAL ± TWO PLACE DECIMAL ±		NAME	DATE	Richelieu Hardware		
	DRAWN					RICHELIEU /VENDOR ITEM NUMBER 2462070202160
	CHECKED					
	ENG APPR.					
	MFG APPR.					
	Q.A.			SIZE	DWG.NO.	REV.
MATERIAL: SS304	COMMENTS: 1-5		A Screw		0	
FINISH: SS304			DO NOT SCALE DRAWING		SHEET 1OF 1	
WEIGHT(GR): 8.1						



DIMENSIONS ARE IN mm TOLERANCES FRACTIONAL ± ANGULAR: MACH ± BEND ± ONE PLACE DECIMAL ± TWO PLACE DECIMAL ±		NAME	DATE	Richelieu Hardware		
	DRAWN					RICHELIEU /VENDOR ITEM NUMBER 2462070202160
	CHECKED					
	ENG APPR.					
	MFG APPR.					
	Q.A.			SIZE	DWG.NO.	REV.
MATERIAL: SS304	COMMENTS: 2		A Screw		0	
FINISH: SS304			DO NOT SCALE DRAWING		SHEET 1OF 1	
WEIGHT(GR): 10						