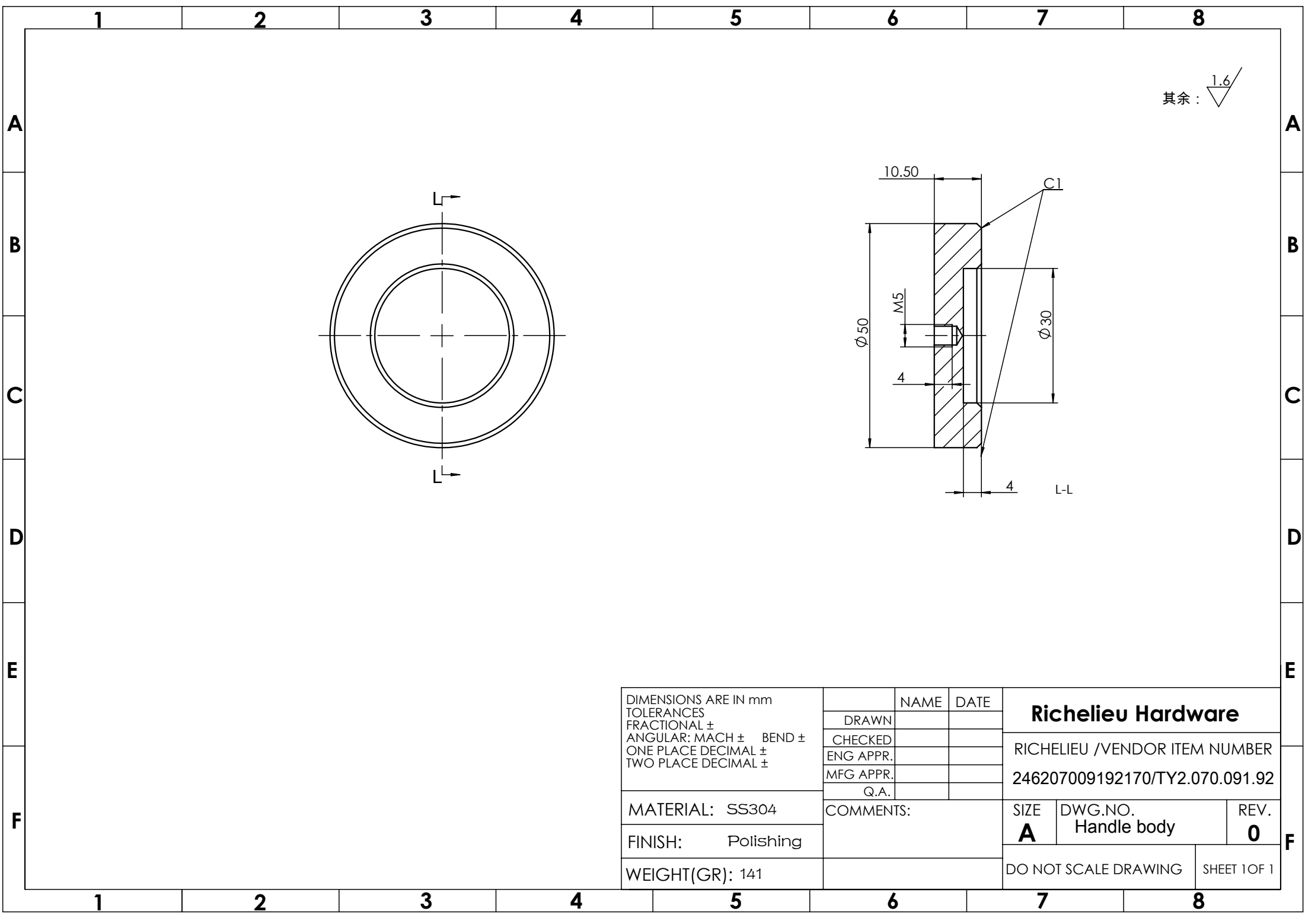


35-45mm木门

DIMENSIONS ARE IN mm TOLERANCES FRACTIONAL ± ANGULAR: MACH ± BEND ± ONE PLACE DECIMAL ± TWO PLACE DECIMAL ±		NAME	DATE	<b>Richelieu Hardware</b>		
	DRAWN					RICHELIEU /VENDOR ITEM NUMBER 246207009192170/TY2.070.091.92
	CHECKED					
	ENG APPR.					
	MFG APPR.					
	Q.A.			SIZE	DWG.NO.	REV.
MATERIAL: SS304	COMMENTS:			<b>A</b>	Handle 2 SS	<b>0</b>
FINISH: Polishing						
WEIGHT(GR): 438.39						
				DO NOT SCALE DRAWING		SHEET 1 OF 1



其余:  $\sqrt{1.6}$

DIMENSIONS ARE IN mm TOLERANCES FRACTIONAL ± ANGULAR: MACH ± BEND ± ONE PLACE DECIMAL ± TWO PLACE DECIMAL ±		NAME	DATE	<b>Richelieu Hardware</b>	
	DRAWN				
	CHECKED			SIZE <b>A</b> DWG.NO. <b>Handle body</b> REV. <b>0</b>	
	ENG APPR.				
	MFG APPR.				
	Q.A.			DO NOT SCALE DRAWING	SHEET 1 OF 1
MATERIAL: SS304	COMMENTS:				
FINISH: Polishing					
WEIGHT(GR): 141					

