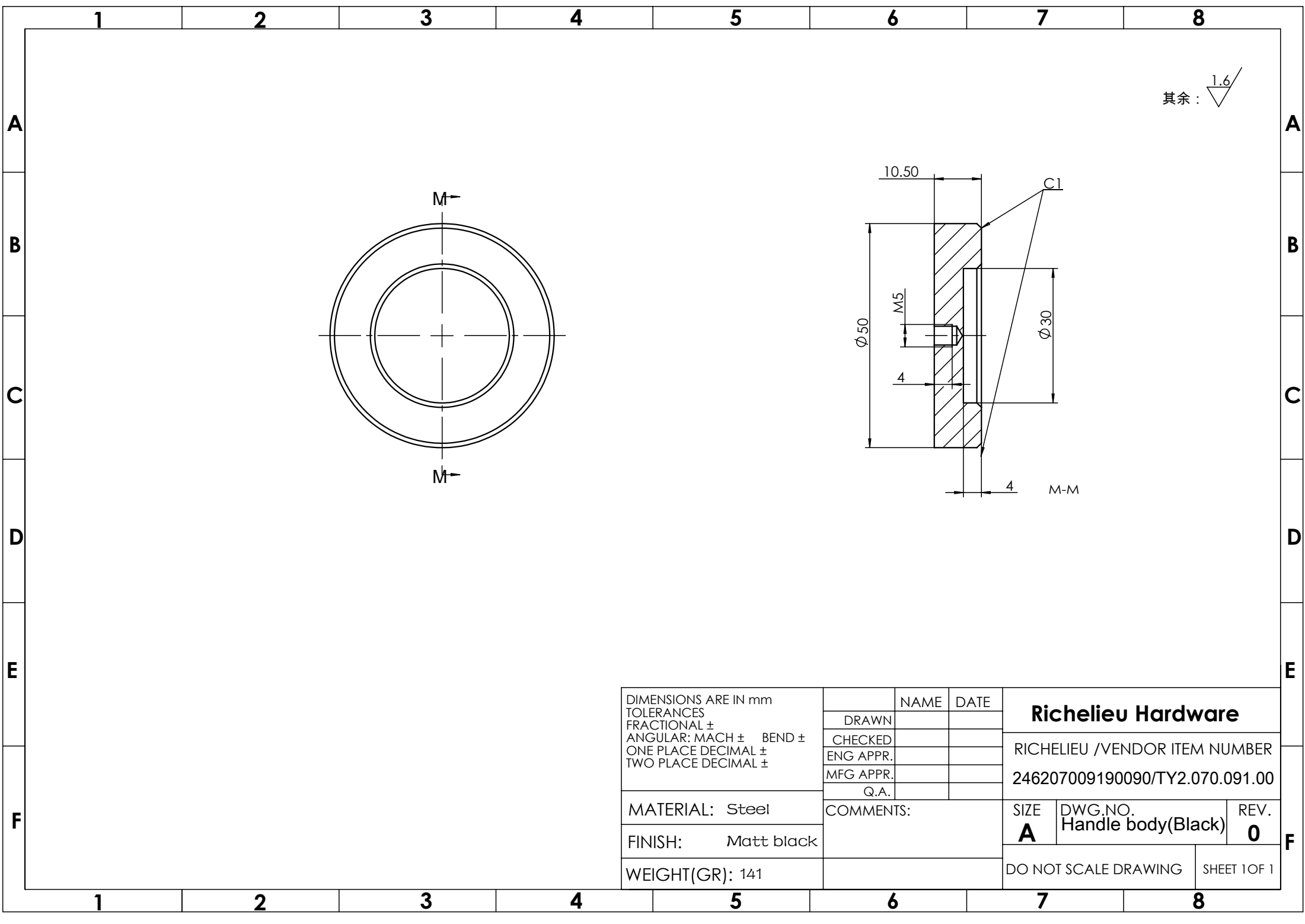
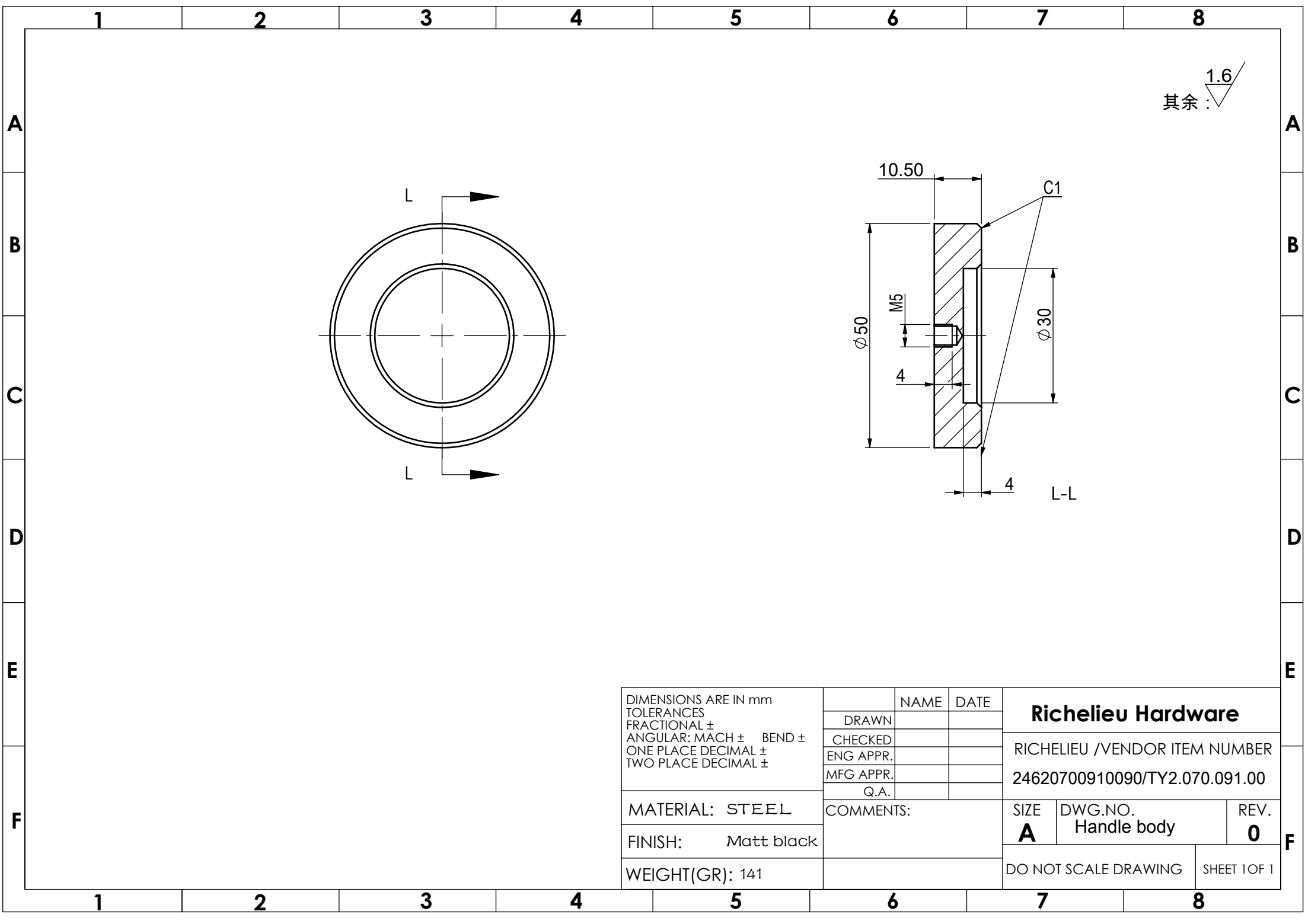


| | | | | | | |
|--|-----------|------|----------------------|-------------------------------|----------------|-------------------------------|
| DIMENSIONS ARE IN mm TOLERANCES FRACTIONAL \pm ANGULAR: MACH \pm BEND \pm ONE PLACE DECIMAL \pm TWO PLACE DECIMAL \pm | | NAME | DATE | Richelieu Hardware | | |
| | DRAWN | | | | | RICHELIEU /VENDOR ITEM NUMBER |
| | CHECKED | | | 24620700910090/TY2.070.091.00 | | |
| | ENG APPR. | | | | | SIZE |
| | MFG APPR. | | | A | Handle 2 Black | 0 |
| Q.A. | | | DO NOT SCALE DRAWING | | SHEET 1 OF 1 | |
| MATERIAL: Steel | COMMENTS: | | | | | |
| FINISH: Matt black | | | | | | |
| WEIGHT(GR): 438.39 | | | | | | |



其余: $\sqrt{1.6}$

| | | | | | | |
|--|-----------|------|----------------------|---------------------------|--------------------|---|
| DIMENSIONS ARE IN mm TOLERANCES FRACTIONAL ± ANGULAR: MACH ± BEND ± ONE PLACE DECIMAL ± TWO PLACE DECIMAL ± | | NAME | DATE | Richelieu Hardware | | |
| | DRAWN | | | | | RICHELIEU /VENDOR ITEM NUMBER 246207009190090/TY2.070.091.00 |
| | CHECKED | | | | | |
| | ENG APPR. | | | | | |
| | MFG APPR. | | | | | |
| | Q.A. | | | SIZE | DWG.NO. | REV. |
| MATERIAL: Steel | COMMENTS: | | A | | Handle body(Black) | 0 |
| FINISH: Matt black | | | DO NOT SCALE DRAWING | | SHEET 1 OF 1 | |
| WEIGHT(GR): 141 | | | | | | |



其余: $\sqrt{1.6}$

| | | | | | | |
|--|-----------|------|----------------------|--|--------------|------|
| DIMENSIONS ARE IN mm TOLERANCES FRACTIONAL ± ANGULAR: MACH ± BEND ± ONE PLACE DECIMAL ± TWO PLACE DECIMAL ± | | NAME | DATE | Richelieu Hardware | | |
| | DRAWN | | | | | |
| | CHECKED | | | RICHELIEU /VENDOR ITEM NUMBER 24620700910090/TY2.070.091.00 | | |
| | ENG APPR. | | | | | |
| | MFG APPR. | | | | | |
| | Q.A. | | | SIZE | DWG.NO. | REV. |
| MATERIAL: STEEL | COMMENTS: | | A | Handle body | 0 | |
| FINISH: Matt black | | | DO NOT SCALE DRAWING | | SHEET 1 OF 1 | |
| WEIGHT(GR): 141 | | | | | | |