

DIMENSIONS ARE IN mm TOLERANCES FRACTIONAL $\pm$ ANGULAR: MACH $\pm$ BEND $\pm$ ONE PLACE DECIMAL $\pm$ TWO PLACE DECIMAL $\pm$		NAME	DATE	<b>Richelieu Hardware</b>		
	DRAWN					RICHELIEU /VENDOR ITEM NUMBER 246207002792170/TY2.070.027.92
	CHECKED					
	ENG APPR.					
	MFG APPR.					
	Q.A.			SIZE	DWG.NO.	REV.
MATERIAL: SS304	COMMENTS:			<b>A</b>	Handle 1 S.S	<b>0</b>
FINISH: Polishing						
WEIGHT(GR): 537.14			DO NOT SCALE DRAWING		SHEET 1 OF 1	

1 2 3 4 5 6 7 8

A

B

C

D

E

F

A

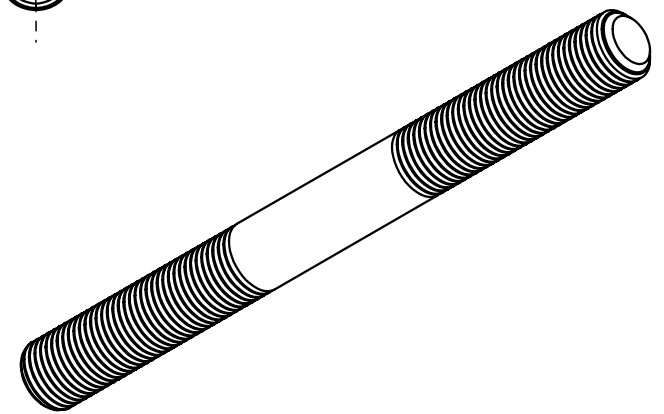
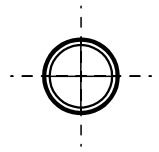
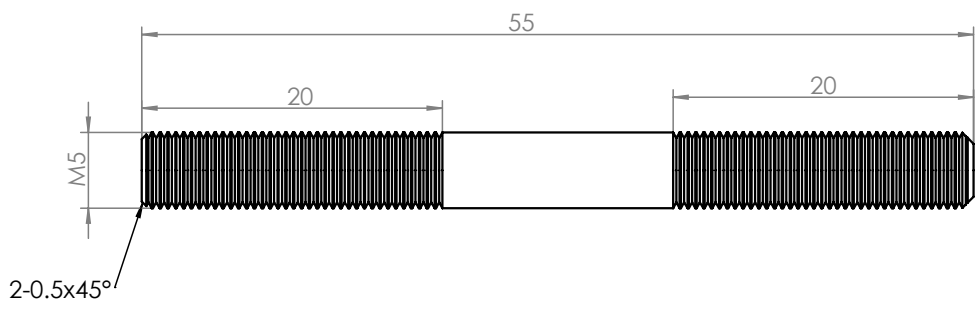
B

C

D

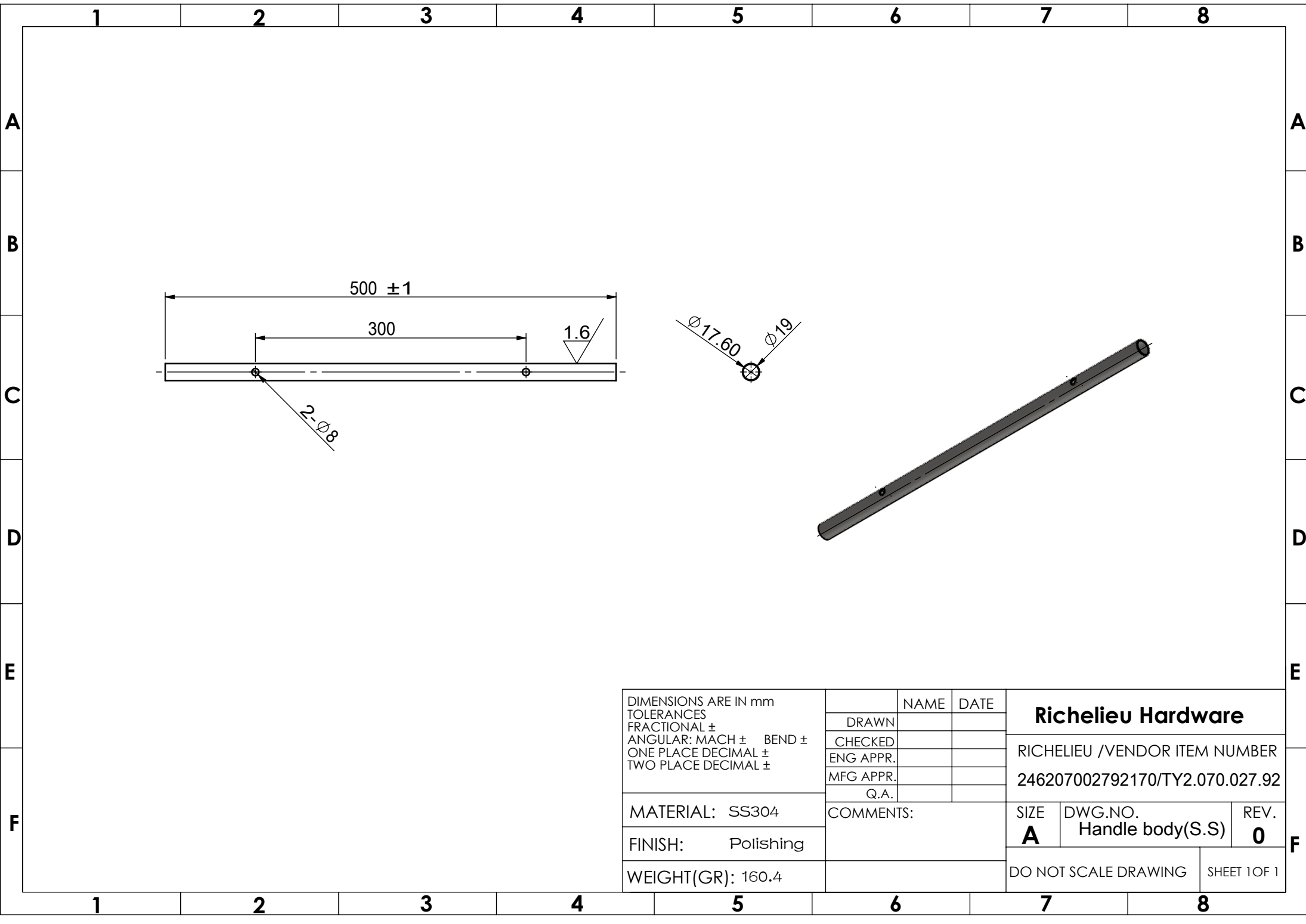
E

F



DIMENSIONS ARE IN mm TOLERANCES FRACTIONAL ± ANGULAR: MACH ± BEND ± ONE PLACE DECIMAL ± TWO PLACE DECIMAL ±		NAME	DATE	<b>Richelieu Hardware</b>	
	DRAWN				
	CHECKED			RICHELIEU /VENDOR ITEM NUMBER 246207002792170/TY2.070.027.92	
	ENG APPR.				
	MFG APPR.				
	Q.A.				
MATERIAL: SS304	COMMENTS:		SIZE	DWG.NO.	REV.
FINISH:			<b>A</b>	Screw	<b>0</b>
WEIGHT(GR): 7.73			DO NOT SCALE DRAWING		SHEET 1 OF 1

1 2 3 4 5 6 7 8



DIMENSIONS ARE IN mm TOLERANCES FRACTIONAL $\pm$ ANGULAR: MACH $\pm$ BEND $\pm$ ONE PLACE DECIMAL $\pm$ TWO PLACE DECIMAL $\pm$		NAME	DATE	<b>Richelieu Hardware</b>	
	DRAWN				
	CHECKED			SIZE <b>A</b>   DWG.NO. Handle body(S.S)   REV. <b>0</b>	
	ENG APPR.				
	MFG APPR.				
	Q.A.			DO NOT SCALE DRAWING	
MATERIAL: SS304	COMMENTS:			SHEET 1 OF 1	
FINISH: Polishing					
WEIGHT(GR): 160.4					