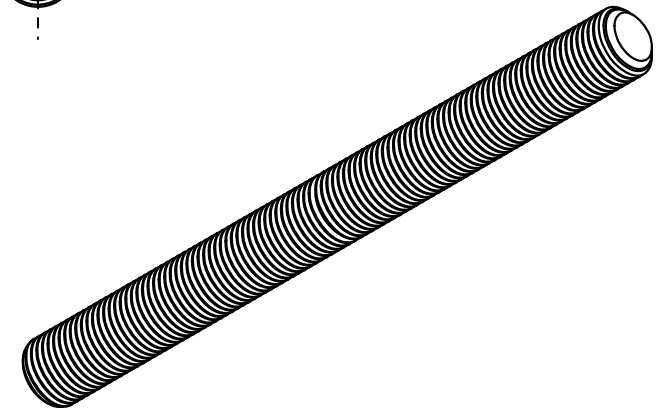
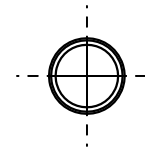
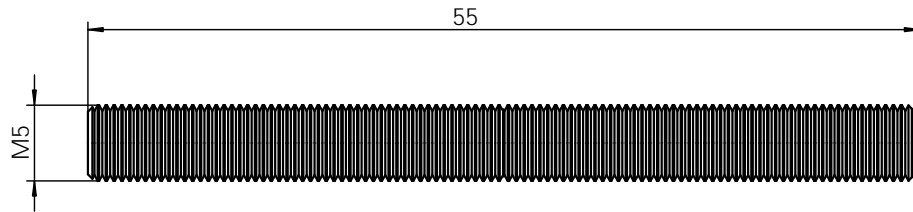
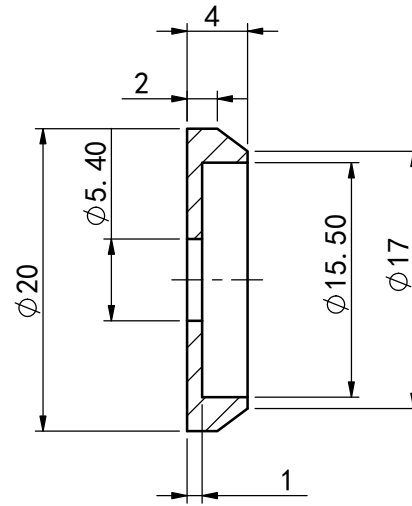
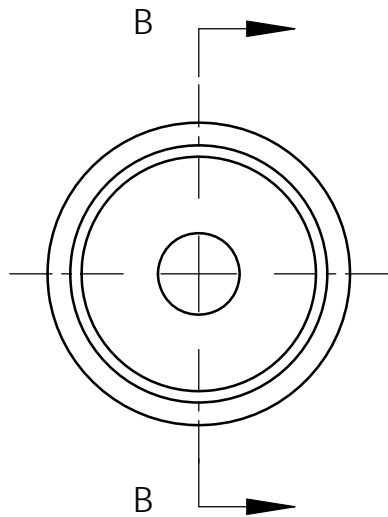


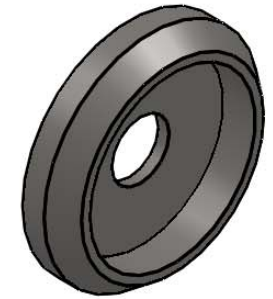
| Item | DWG NO   | Quantity | DIMENSIONS ARE IN mm<br>TOLERANCES<br>FRACTIONAL ±<br>ANGULAR: MACH ± BEND ±<br>ONE PLACE DECIMAL ±<br>TWO PLACE DECIMAL ± | NAME           | DATE | Richelieu Hardware            |          |          |
|------|----------|----------|--|----------------|------|-------------------------------|----------|----------|
| 1    | Screw    | 2        | MATERIAL: SS304<br>FINISH: Black<br>WEIGHT(GR): 314.6  | DRAWN          |      | RICHELIEU /VENDOR ITEM NUMBER |          |          |
| 2    | Cap      | 2        |  | CHECKED        |      | 24620700252690                |          |          |
| 3    | Washer   | 2        |  | ENG APPR.      |      | SIZE                          | DWG.NO.  | REV.     |
| 4    | Washer   | 2        |  | MFG APPR.      |      | <b>A</b>                      | Handrail | <b>0</b> |
| 5    | Knob     | 2        |  | Q.A.           |      | DO NOT SCALE DRAWING          |          |          |
| 6    | Handrail | 1        |  | COMMENTS:<br>1 |      | SHEET 1OF 1                   |          |          |



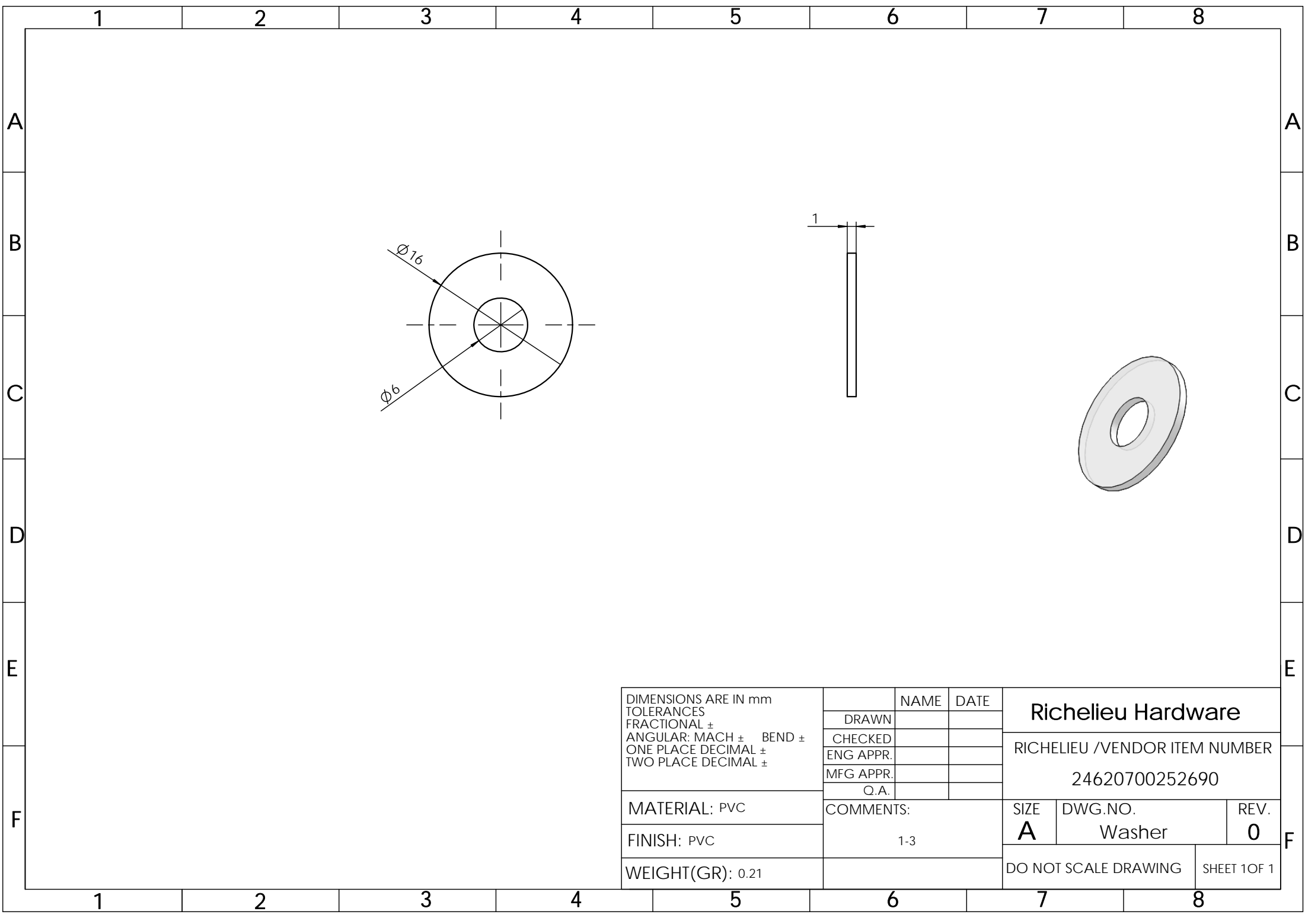
|  |                  |      |                      |                               |             |
|--|------------------|------|----------------------|-------------------------------|-------------|
| DIMENSIONS ARE IN mm<br>TOLERANCES<br>FRACTIONAL ±<br>ANGULAR: MACH ± BEND ±<br>ONE PLACE DECIMAL ±<br>TWO PLACE DECIMAL ± |                  | NAME | DATE                 | Richelieu Hardware            |             |
|  | DRAWN            |      |                      |                               |             |
|  | CHECKED          |      |                      | RICHELIEU /VENDOR ITEM NUMBER |             |
|  | ENG APPR.        |      |                      |                               |             |
|  | MFG APPR.        |      |                      |                               |             |
|  | Q.A.             |      |                      | 24620700252690                |             |
| MATERIAL: SS304  | COMMENTS:<br>1-1 |      | SIZE                 | DWG.NO.                       | REV.        |
| FINISH: SS304  |                  |      | <b>A</b>             | Screw                         | <b>0</b>    |
| WEIGHT(GR): 7.73   |                  |      | DO NOT SCALE DRAWING |                               | SHEET 1OF 1 |



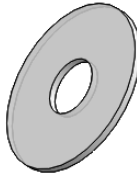
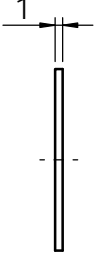
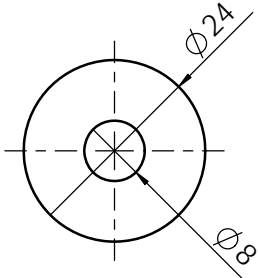
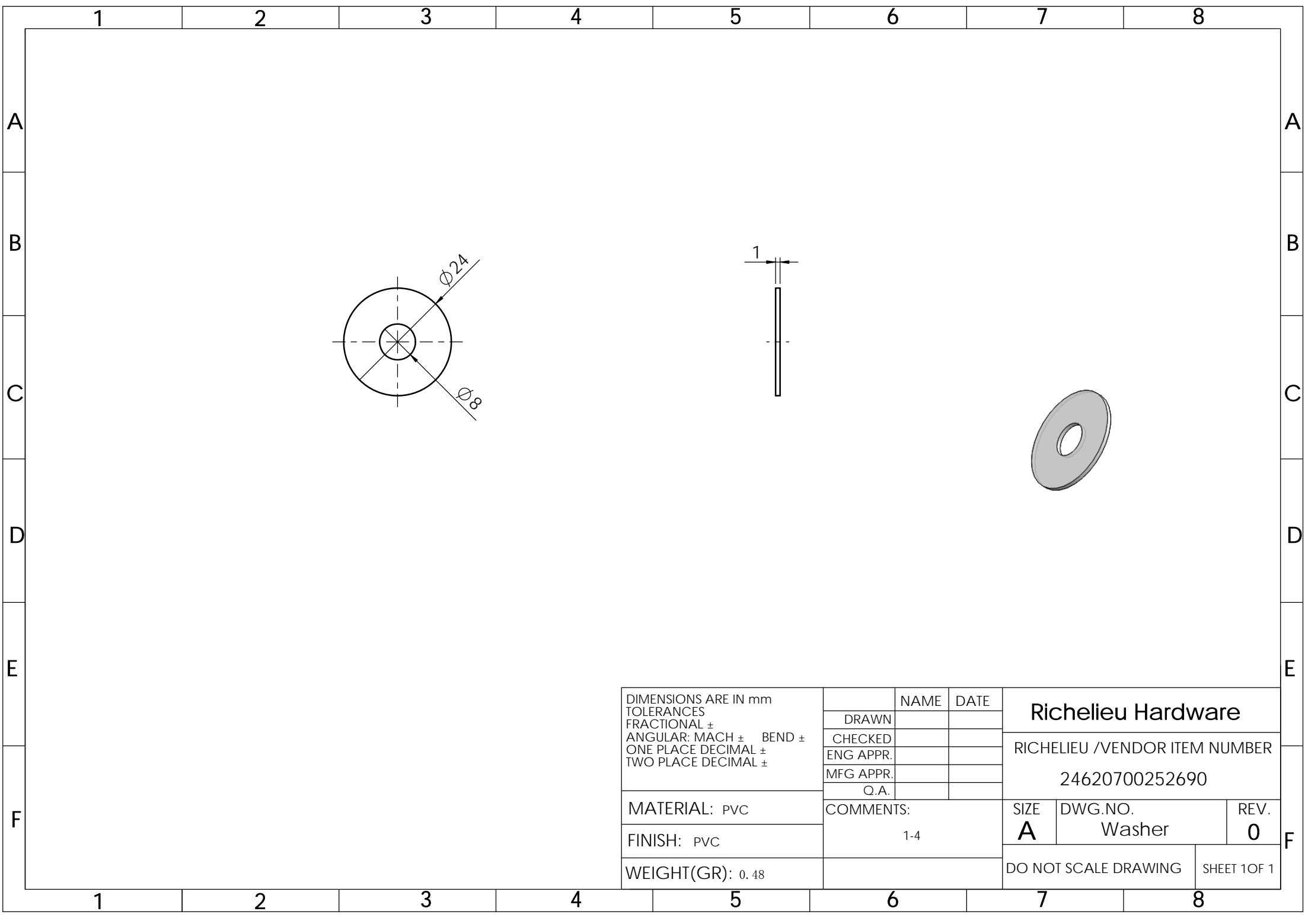
B-B



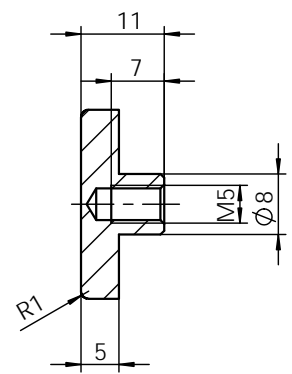
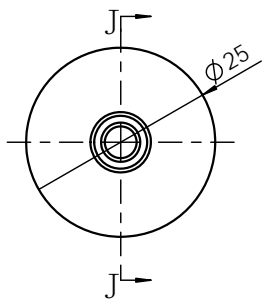
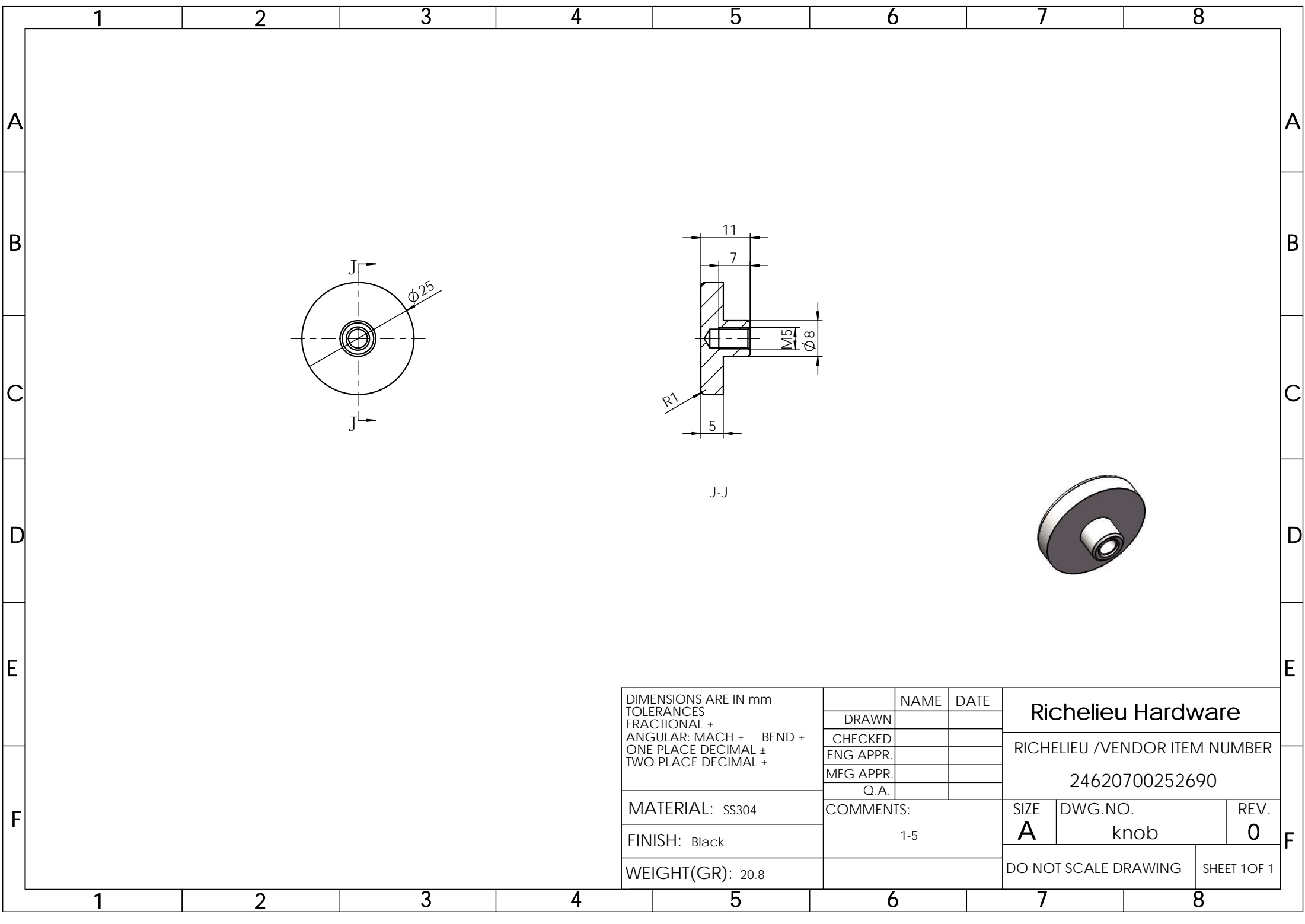
|  |           |      |                      |                    |             |   |
|--|-----------|------|----------------------|--------------------|-------------|---|
| DIMENSIONS ARE IN mm<br>TOLERANCES<br>FRACTIONAL ±<br>ANGULAR: MACH ± BEND ±<br>ONE PLACE DECIMAL ±<br>TWO PLACE DECIMAL ± |           | NAME | DATE                 | Richelieu Hardware |             |   |
|  | DRAWN     |      |                      |                    |             | RICHELIEU /VENDOR ITEM NUMBER<br>24620700252690 |
|  | CHECKED   |      |                      |                    |             |   |
|  | ENG APPR. |      |                      |                    |             |   |
|  | MFG APPR. |      |                      |                    |             |   |
|  | Q.A.      |      |                      | SIZE               | DWG.NO.     | REV.  |
| MATERIAL: SS304  | COMMENTS: |      | A                    |                    | Cap         | 0   |
| FINISH: Black  | 1-2       |      | DO NOT SCALE DRAWING |                    | SHEET 1OF 1 |   |
| WEIGHT(GR): 4.6  |           |      |                      |                    |             |   |



|  |                  |      |                      |                           |             |   |
|--|------------------|------|----------------------|---------------------------|-------------|---|
| DIMENSIONS ARE IN mm<br>TOLERANCES<br>FRACTIONAL ±<br>ANGULAR: MACH ± BEND ±<br>ONE PLACE DECIMAL ±<br>TWO PLACE DECIMAL ± |                  | NAME | DATE                 | <b>Richelieu Hardware</b> |             |   |
|  | DRAWN            |      |                      |                           |             | RICHELIEU /VENDOR ITEM NUMBER<br>24620700252690 |
|  | CHECKED          |      |                      |                           |             |   |
|  | ENG APPR.        |      |                      |                           |             |   |
|  | MFG APPR.        |      |                      |                           |             |   |
|  | Q.A.             |      |                      | SIZE                      | DWG.NO.     | REV.  |
| MATERIAL: PVC  | COMMENTS:<br>1-3 |      | <b>A</b> Washer      |                           | <b>0</b>    |   |
| FINISH: PVC  |                  |      | DO NOT SCALE DRAWING |                           | SHEET 1OF 1 |   |
| WEIGHT(GR): 0.21   |                  |      |                      |                           |             |   |



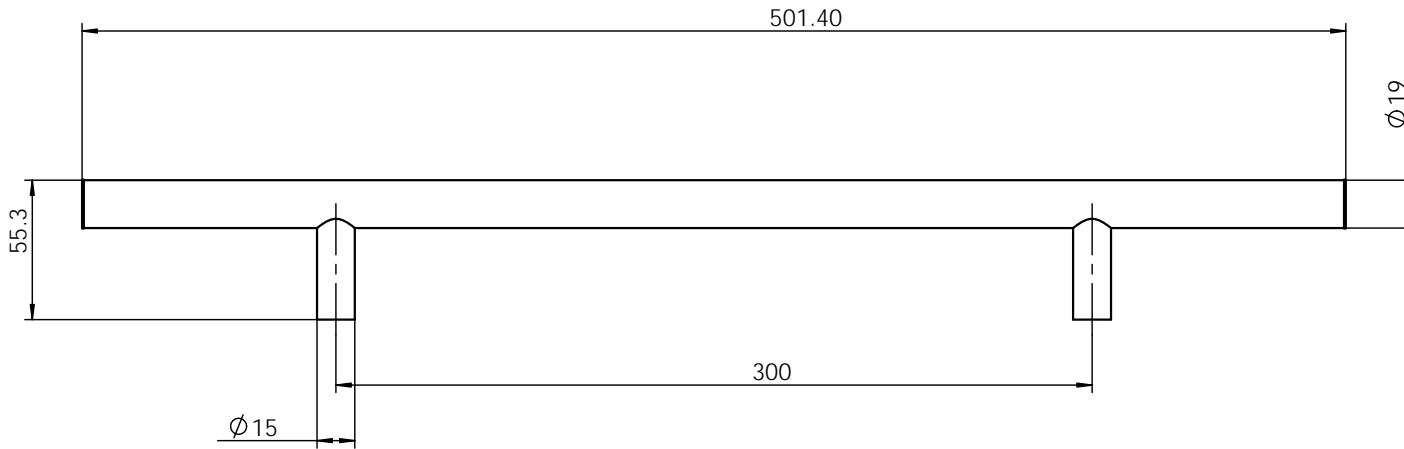
|  |           |      |      |                           |                      |   |             |
|--|-----------|------|------|---------------------------|----------------------|---|-------------|
| DIMENSIONS ARE IN mm<br>TOLERANCES<br>FRACTIONAL ±<br>ANGULAR: MACH ± BEND ±<br>ONE PLACE DECIMAL ±<br>TWO PLACE DECIMAL ± |           | NAME | DATE | <b>Richelieu Hardware</b> |                      |   |             |
|  | DRAWN     |      |      |                           |                      | RICHELIEU /VENDOR ITEM NUMBER<br>24620700252690 |             |
|  | CHECKED   |      |      |                           |                      |   |             |
|  | ENG APPR. |      |      |                           |                      |   |             |
|  | MFG APPR. |      |      |                           |                      |   |             |
|  | Q.A.      |      |      | SIZE                      | DWG.NO.              | REV.  |             |
| MATERIAL: PVC  | COMMENTS: |      | 1-4  |                           | <b>A</b>             | Washer  | <b>0</b>    |
| FINISH: PVC  |           |      |      |                           | DO NOT SCALE DRAWING |   | SHEET 1OF 1 |
| WEIGHT(GR): 0.48   |           |      |      |                           |                      |   |             |



J-J



|  |                  |      |                      |                           |             |   |
|--|------------------|------|----------------------|---------------------------|-------------|---|
| DIMENSIONS ARE IN mm<br>TOLERANCES<br>FRACTIONAL ±<br>ANGULAR: MACH ± BEND ±<br>ONE PLACE DECIMAL ±<br>TWO PLACE DECIMAL ± |                  | NAME | DATE                 | <b>Richelieu Hardware</b> |             |   |
|  | DRAWN            |      |                      |                           |             | RICHELIEU /VENDOR ITEM NUMBER<br>24620700252690 |
|  | CHECKED          |      |                      |                           |             |   |
|  | ENG APPR.        |      |                      |                           |             |   |
|  | MFG APPR.        |      |                      |                           |             |   |
|  | Q.A.             |      |                      | SIZE                      | DWG.NO.     | REV.  |
| MATERIAL: SS304  | COMMENTS:<br>1-5 |      | <b>A</b> knob        |                           | <b>0</b>    |   |
| FINISH: Black  |                  |      | DO NOT SCALE DRAWING |                           | SHEET 1OF 1 |   |
| WEIGHT(GR): 20.8   |                  |      |                      |                           |             |   |



|  |                  |      |                      |   |              |      |
|--|------------------|------|----------------------|---|--------------|------|
| DIMENSIONS ARE IN mm<br>TOLERANCES<br>FRACTIONAL ±<br>ANGULAR: MACH ± BEND ±<br>ONE PLACE DECIMAL ±<br>TWO PLACE DECIMAL ± |                  | NAME | DATE                 | Richelieu Hardware                              |              |      |
|  | DRAWN            |      |                      |   |              |      |
|  | CHECKED          |      |                      | RICHELIEU /VENDOR ITEM NUMBER<br>24620700252690 |              |      |
|  | ENG APPR.        |      |                      |   |              |      |
|  | MFG APPR.        |      |                      |   |              |      |
|  | Q.A.             |      |                      | SIZE  | DWG.NO.      | REV. |
| MATERIAL: SS304  | COMMENTS:<br>1-6 |      | A                    |   | Handrail     | 0    |
| FINISH: Black  |                  |      | DO NOT SCALE DRAWING |   | SHEET 1 OF 1 |      |
| WEIGHT(GR): 248.6  |                  |      |                      |   |              |      |