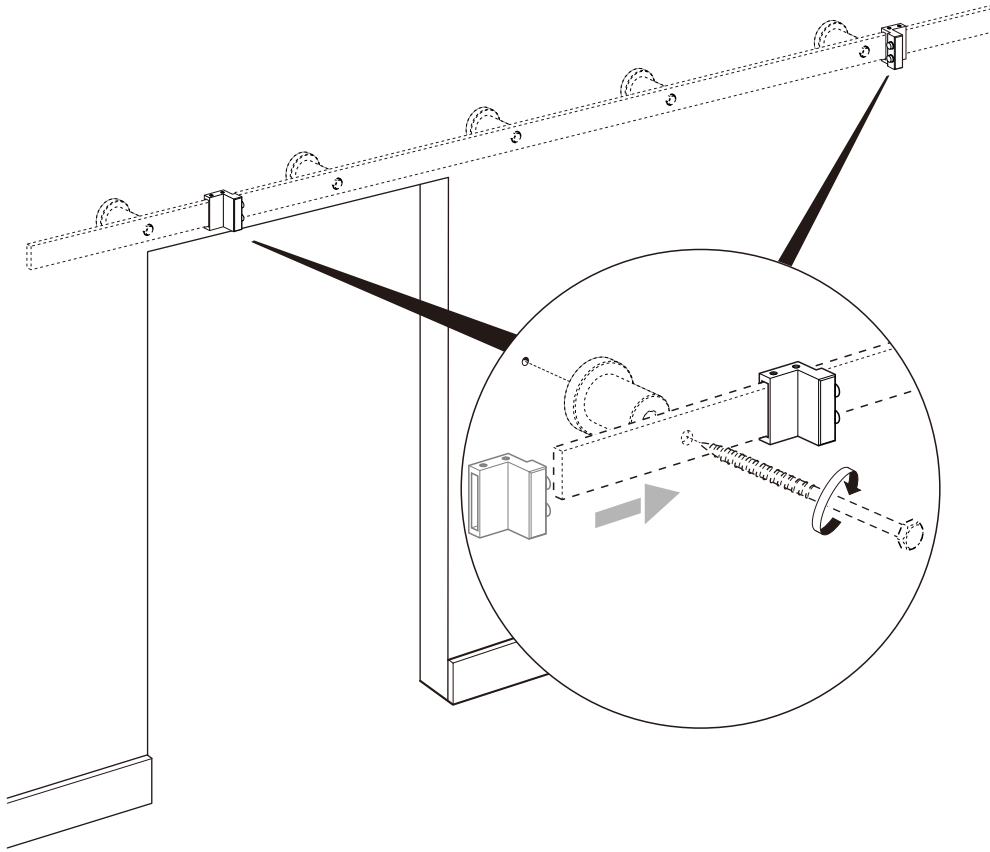
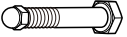


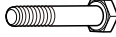
Installation Manual

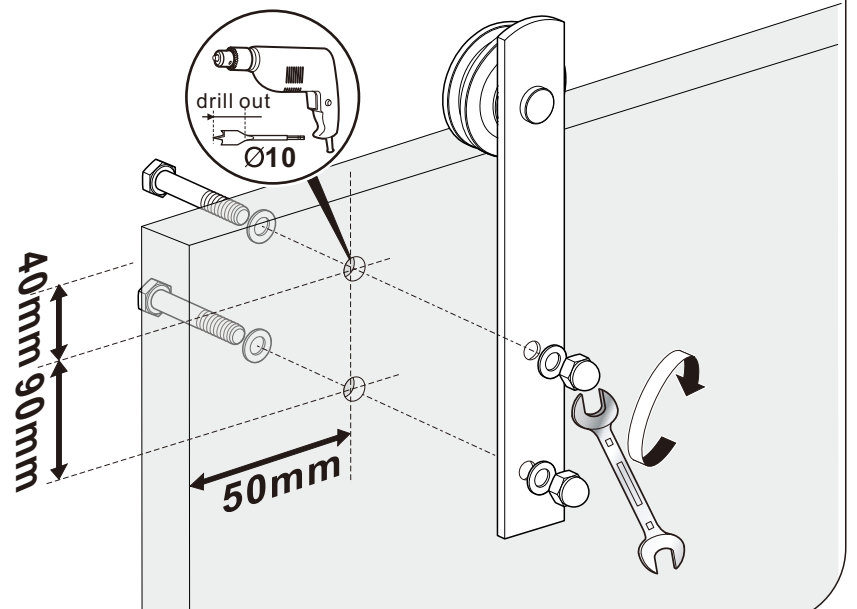
1



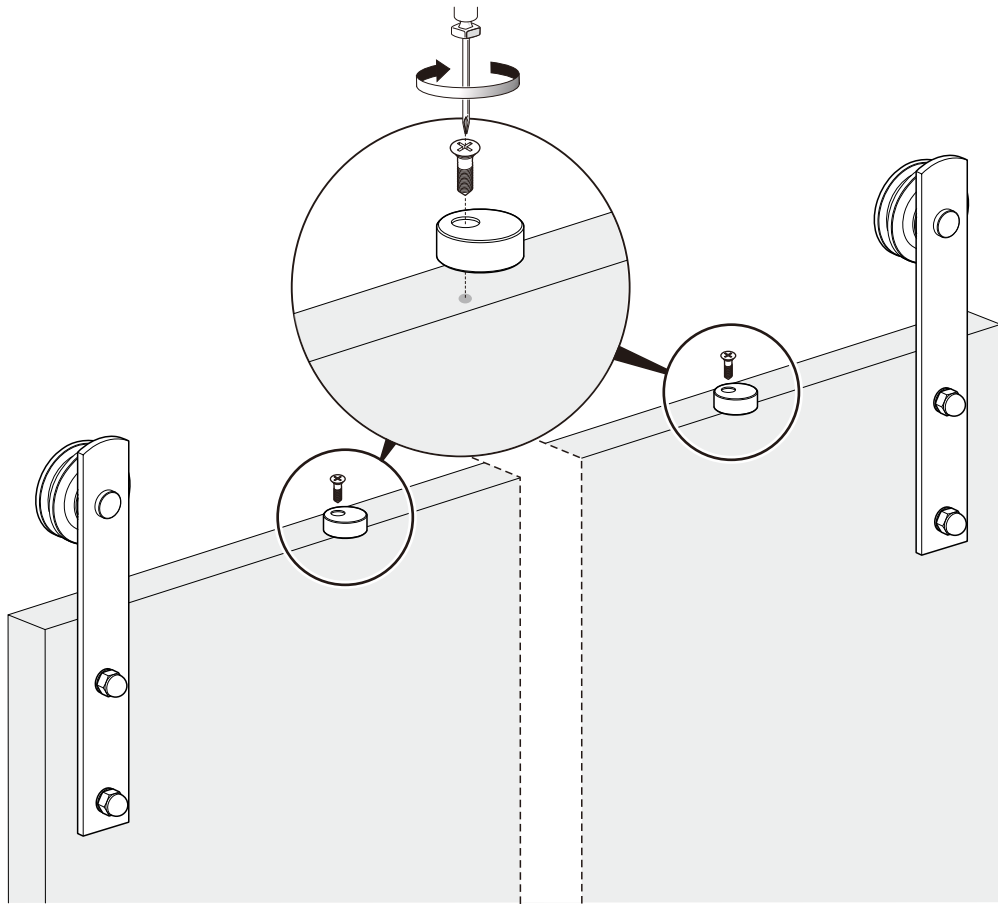
2


M10x55 (x 4)
bolts for 35-40mm door

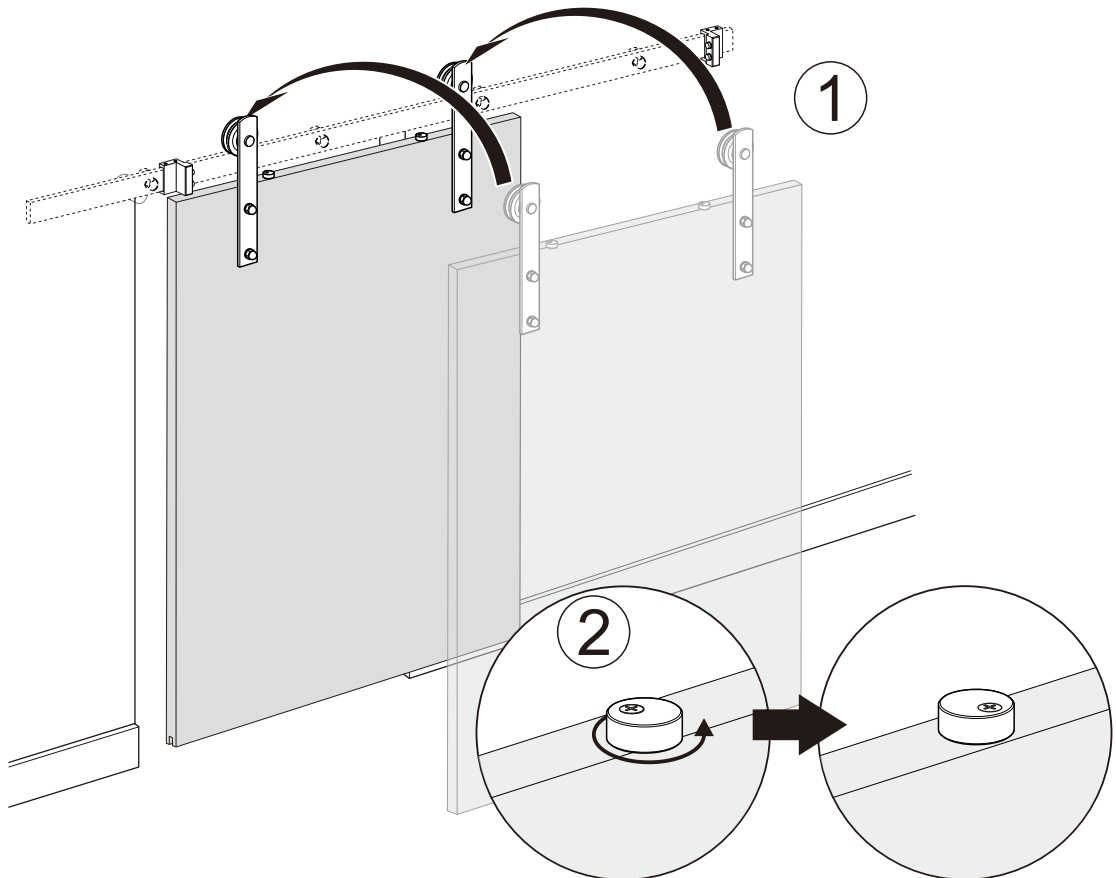

M10x60 (x 4)
bolts for 40-45mm door



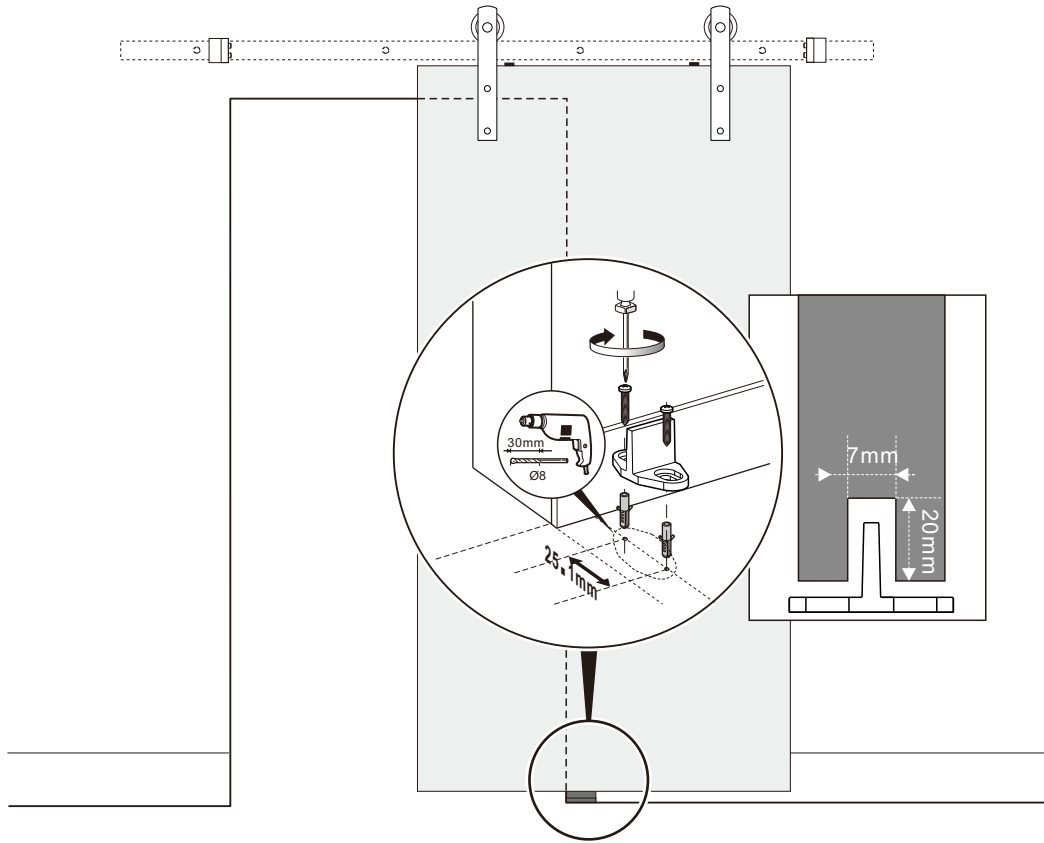
3



4



5



6

