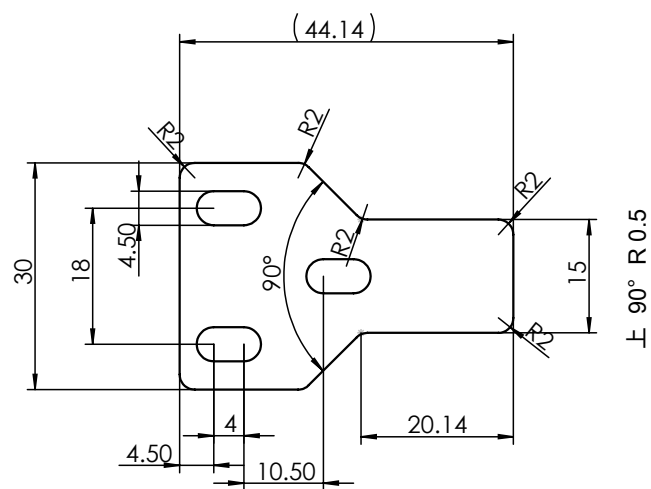
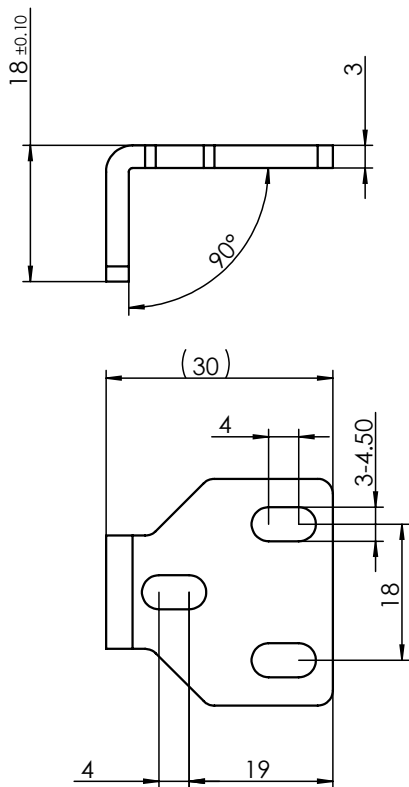


DWG NO.	Quantity
soft close grey	1
actuator -SS	1
Allen key--3mm	1
Screw-25	3

DIMENSIONS ARE IN mm TOLERANCES FRACTIONAL ± ANGULAR: MACH ± BEND ± ONE PLACE DECIMAL ± TWO PLACE DECIMAL ±		NAME	DATE	Richelieu Hardware	
	DRAWN				
	CHECKED			RICHELIEU /VENDOR ITEM NUMBER 246014170 / TY014	
	ENG APPR.				
	MFG APPR.				
	Q.A.				
MATERIAL: PP	COMMENTS:		SIZE	DWG.NO.	REV.
FINISH: Grey			A	soft close grey	0
WEIGHT(GR): 164			DO NOT SCALE DRAWING		SHEET 1 OF 1



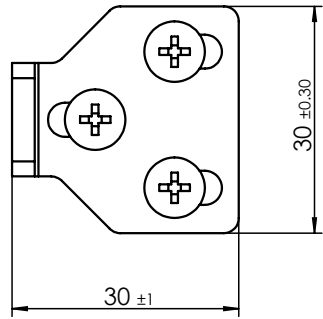
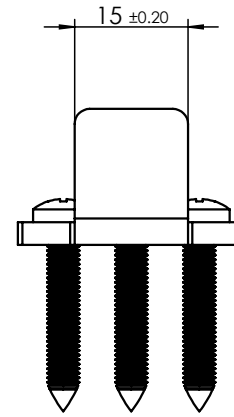
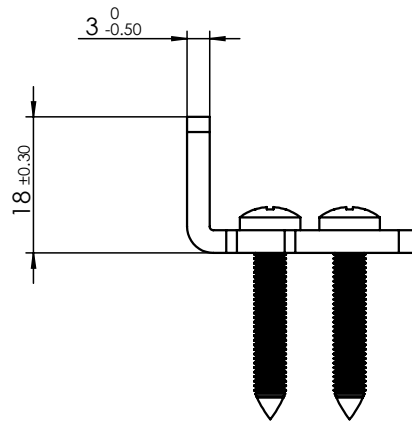
DIMENSIONS ARE IN mm
 TOLERANCES
 FRACTIONAL ±
 ANGULAR: MACH ± BEND ±
 ONE PLACE DECIMAL ±
 TWO PLACE DECIMAL ±

MATERIAL: SS304
 FINISH: Polishing
 WEIGHT(GR): 20.66

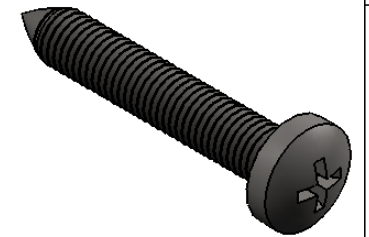
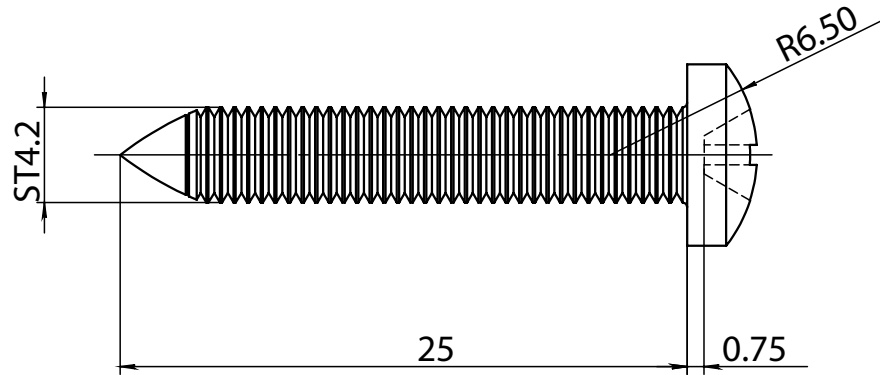
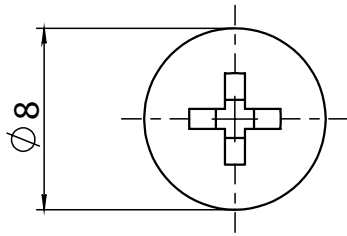
	NAME	DATE
DRAWN		
CHECKED		
ENG APPR.		
MFG APPR.		
Q.A.		

COMMENTS:

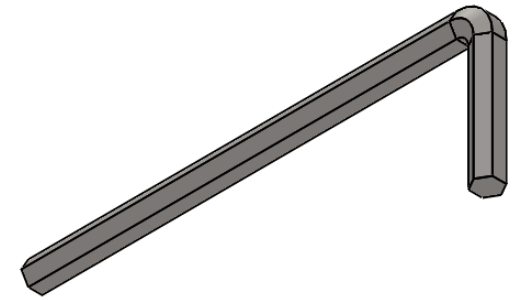
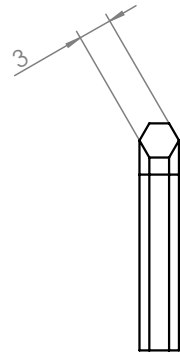
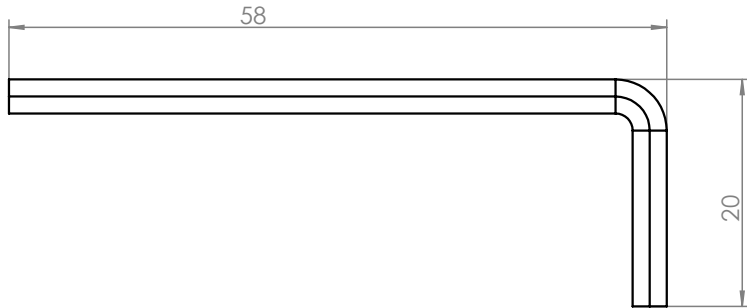
Richelieu Hardware		
RICHELIEU /VENDOR ITEM NUMBER 246014170 / TY014		
SIZE A	DWG.NO. actuator--S.S	REV. 0
DO NOT SCALE DRAWING		SHEET 1 OF 1



DIMENSIONS ARE IN mm TOLERANCES FRACTIONAL \pm ANGULAR: MACH \pm BEND \pm ONE PLACE DECIMAL \pm TWO PLACE DECIMAL \pm		NAME	DATE	Richelieu Hardware			
	DRAWN					RICHELIEU /VENDOR ITEM NUMBER 246014170 / TY014	
	CHECKED						
	ENG APPR.						
	MFG APPR.						
	Q.A.			SIZE	DWG.NO.	REV.	
MATERIAL: SS304	COMMENTS:			A	actuator--S.S	0	
FINISH: Polishing				DO NOT SCALE DRAWING		SHEET 1 OF 1	
WEIGHT(GR): 30							



DIMENSIONS ARE IN mm TOLERANCES FRACTIONAL ± ANGULAR: MACH ± BEND ± ONE PLACE DECIMAL ± TWO PLACE DECIMAL ±		NAME	DATE	Richelieu Hardware		
	DRAWN					RICHELIEU /VENDOR ITEM NUMBER 246014170 / TY014
	CHECKED					
	ENG APPR.					
	MFG APPR.					
	Q.A.			SIZE	DWG.NO.	REV.
MATERIAL: SS304	COMMENTS:		A Screw-25		0	
FINISH:			DO NOT SCALE DRAWING		SHEET 1 OF 1	
WEIGHT(GR): 2.97						



DIMENSIONS ARE IN mm TOLERANCES FRACTIONAL ± ANGULAR: MACH ± BEND ± ONE PLACE DECIMAL ± TWO PLACE DECIMAL ±		NAME	DATE	Richelieu Hardware		
	DRAWN					RICHELIEU /VENDOR ITEM NUMBER 246014170 / TY014
	CHECKED					
	ENG APPR.					
	MFG APPR.				SIZE	DWG.NO.
MATERIAL: Steel	COMMENTS:			A	Allen key--3mm	0
FINISH: Nickel-plated				DO NOT SCALE DRAWING		SHEET 1 OF 1
WEIGHT(GR): 4.48						