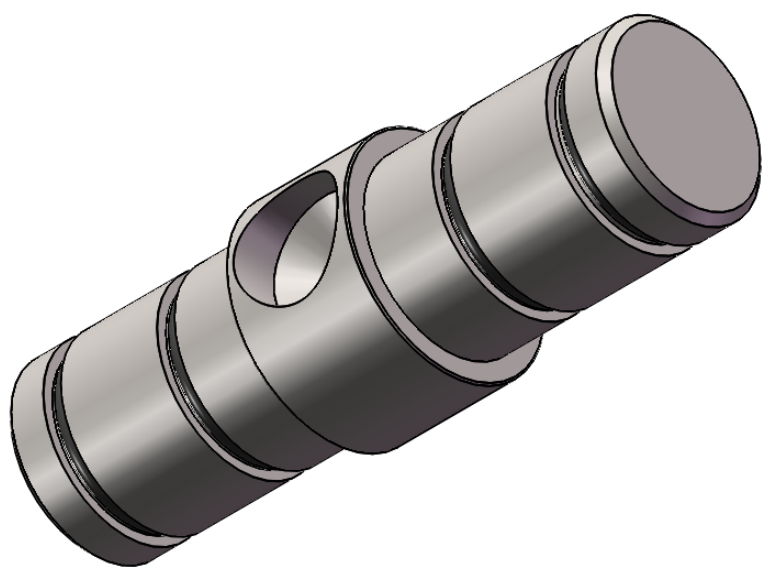
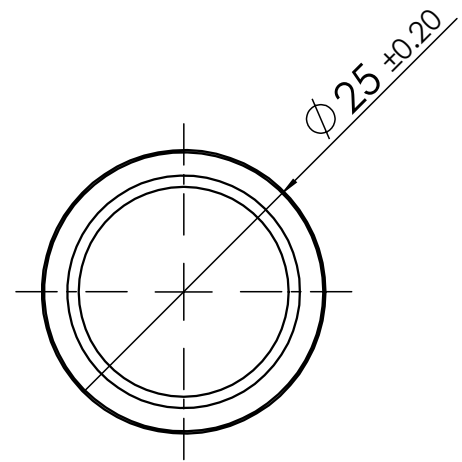
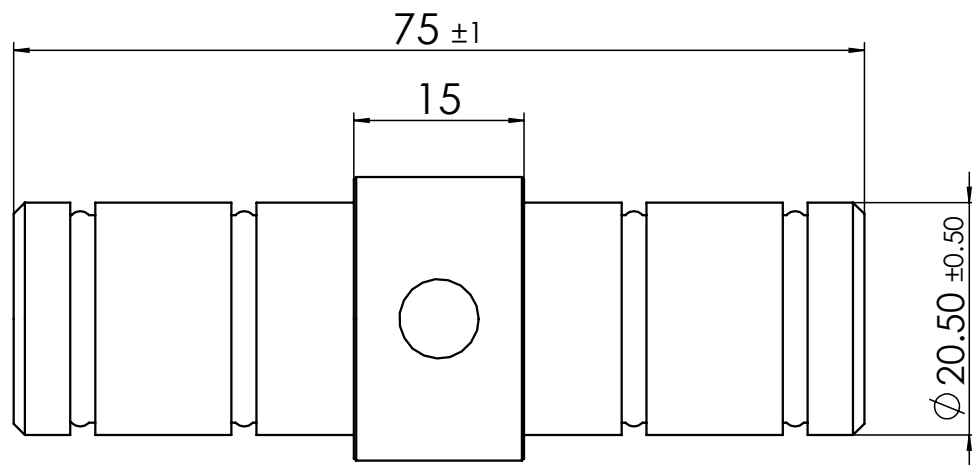


DIMENSIONS ARE IN mm TOLERANCES FRACTIONAL ± ANGULAR: MACH ± BEND ± ONE PLACE DECIMAL ± TWO PLACE DECIMAL ±		NAME	DATE	Richelieu Hardware	
	DRAWN				
	CHECKED			SIZE A DWG.NO. Round track set 0.5m REV. 0	
	ENG APPR.				
	MFG APPR.				
	Q.A.			DO NOT SCALE DRAWING	
MATERIAL: SS304	COMMENTS:		SHEET 1 OF 1		
FINISH: Polishing					
WEIGHT(GR): 860					



DIMENSIONS ARE IN mm TOLERANCES FRACTIONAL ± ANGULAR: MACH ± BEND ± ONE PLACE DECIMAL ± TWO PLACE DECIMAL ±		NAME	DATE	Richelieu Hardware	
	DRAWN				
	CHECKED			SIZE A DWG.NO. connector 2 REV. 0	
	ENG APPR.				
	MFG APPR.				
	Q.A.			DO NOT SCALE DRAWING	
MATERIAL: SS304	COMMENTS:			SHEET 1 OF 1	
FINISH: Polishing					
WEIGHT(GR): 201					