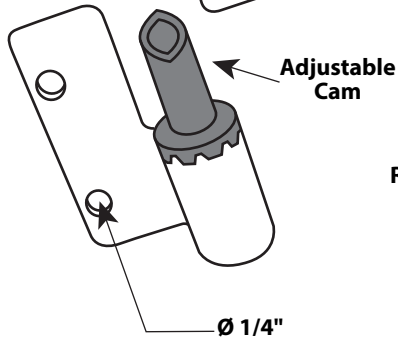
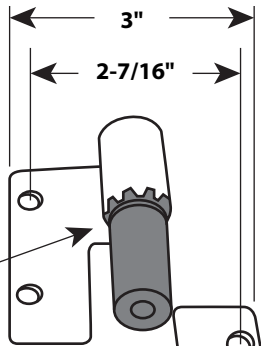
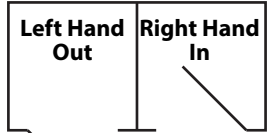


Top Assembly



For



Bottom Assembly

Ø 13/16"

