

# K201 Series Integrated Wiring Devices Manual

<b>ITEM</b>	<b>201314100</b>
-------------	------------------

## 1.Attentions:

The design of products fully considered personal safe factor. However it also may cause electric shock and fire with improper usage. In case no lost at your electrical equipment and be harm to your safety, please closely following the rules in installation, usage, and maintenance.

- The products is electrical appliance, please refer the installation instruct strictly to install, use, and maintain.
- It can be only used inside door at normal temperature, and can't be allowed to use in the circumstance which may reduce the safety of product, such as too much moistly, or with too much dust or corrosives.
- the installation and maintenance must be worked by qualified special electrician.
- Please make sure the product is useful and connected grounding wire before usage .
- Please connect the wire correctly and usage properly according to the rated voltage, frequency, rated current and function marks.
- Please make sure the electrical equipment switches is turned off when using products.
- Please make sure the equipment is totally unconnected with electrical power, before installing , maintaining or moving.

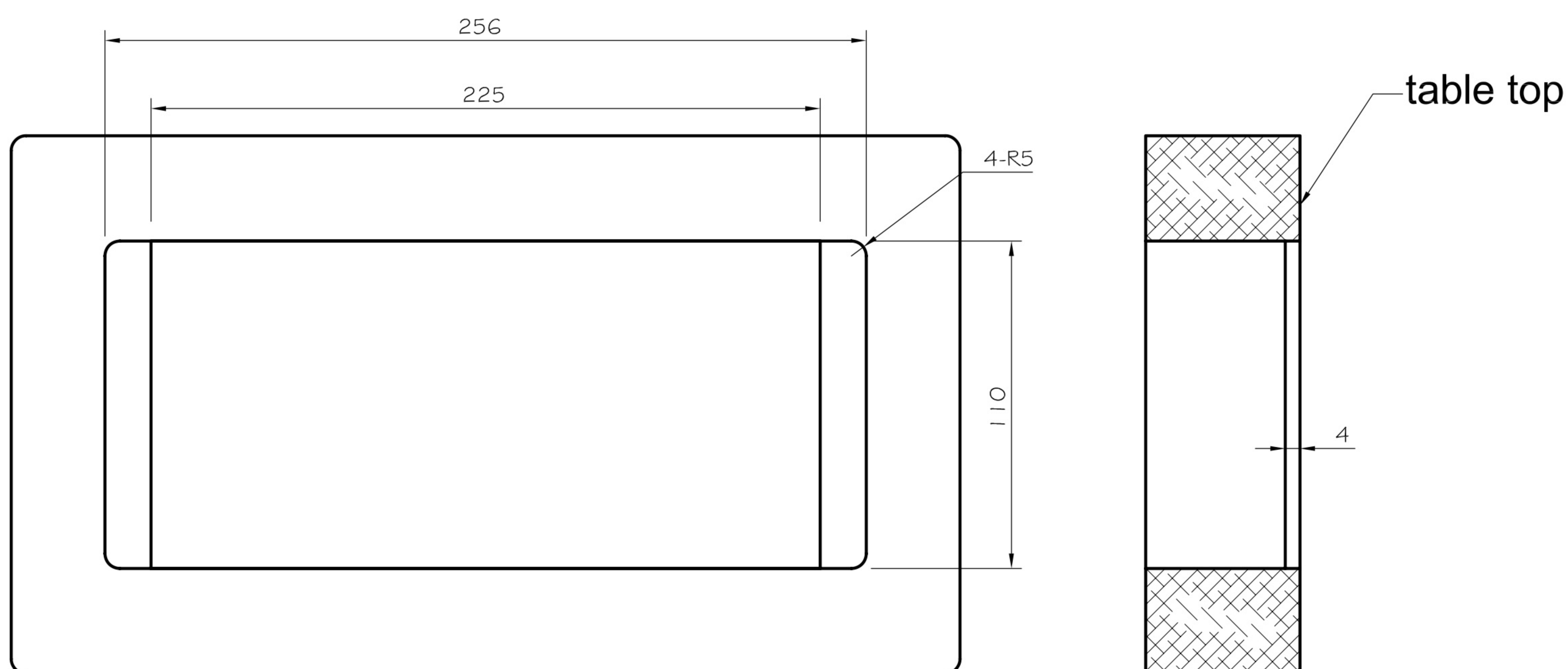
## 2.Usage range:

Executive table, official table, all kinds of conference table and so on.

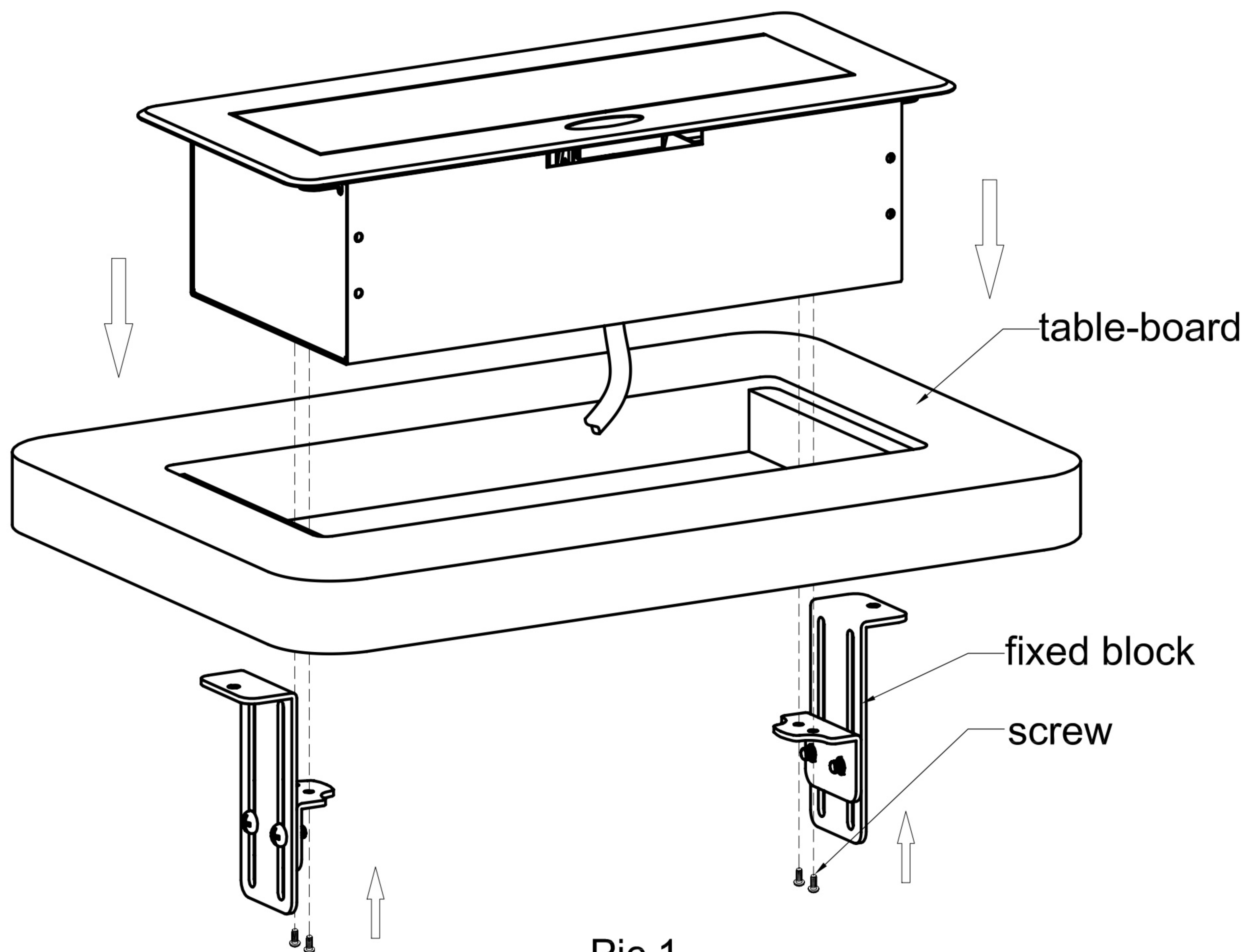
## 3.Installation steps:

( a ).Tapping.

Before installation , please opening pore on the table-board which is asked to install according to related product specification. ( unit:mm)

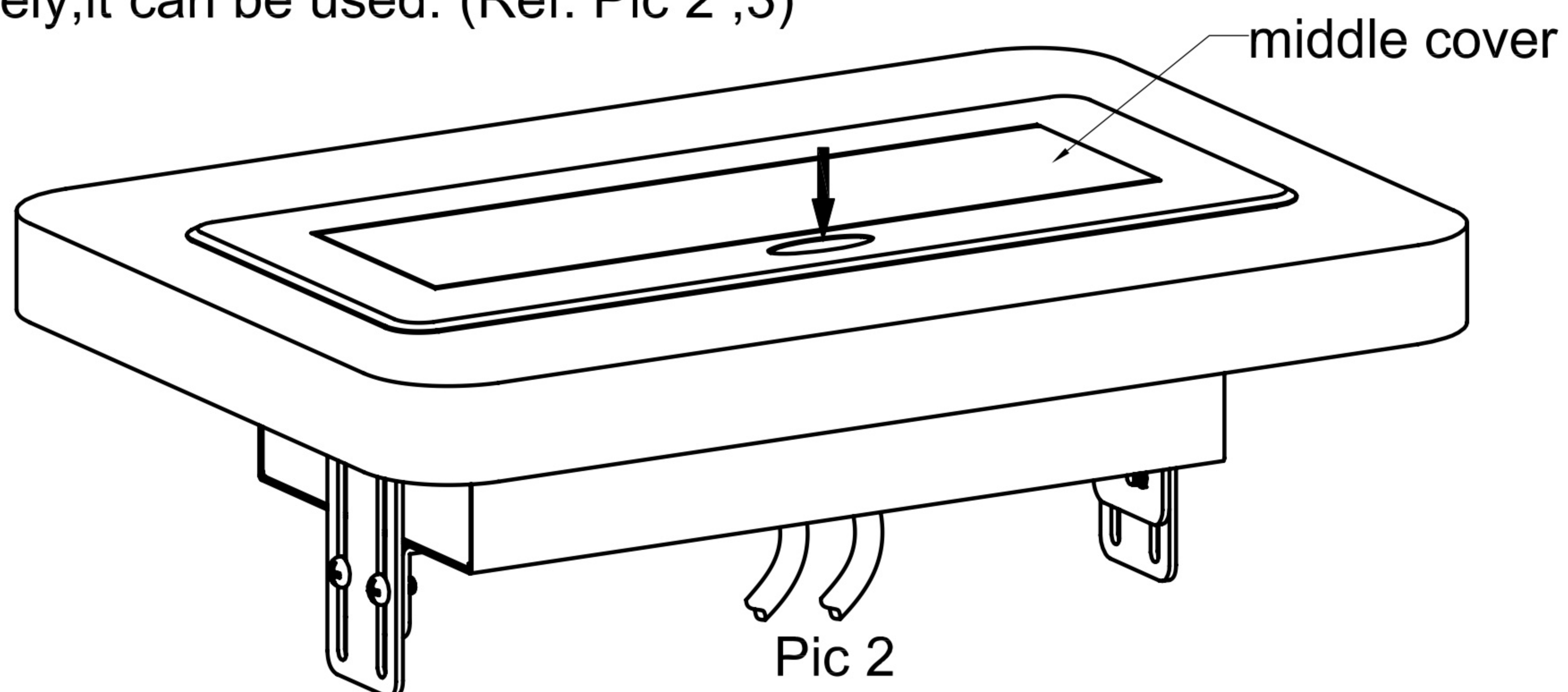


( b ).Assembling the product into the mounting hole on the tabletop .and press the bottom side of tabletop with fixed blocks (one piece each for right and left), fasten screws. (Ref: Pic 1)

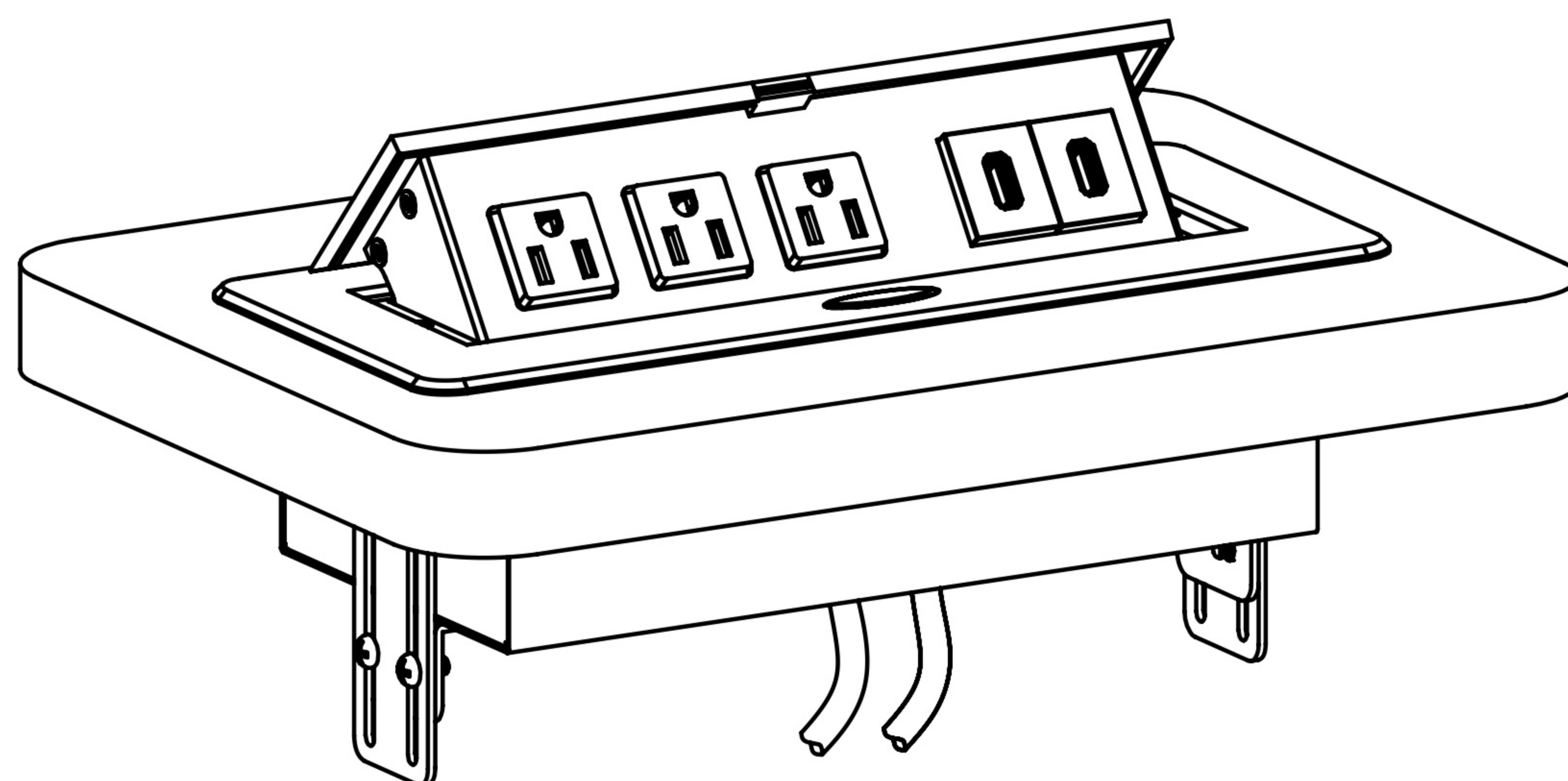


Pic 1

( c ). After press the button, the middle cover will open slowly. When it opens completely, it can be used. (Ref: Pic 2 ,3)



Pic 2



Pic 3

Due to products under continuous improvement, any changes on design and specifications without other notice.