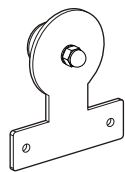


Installation



(x2)



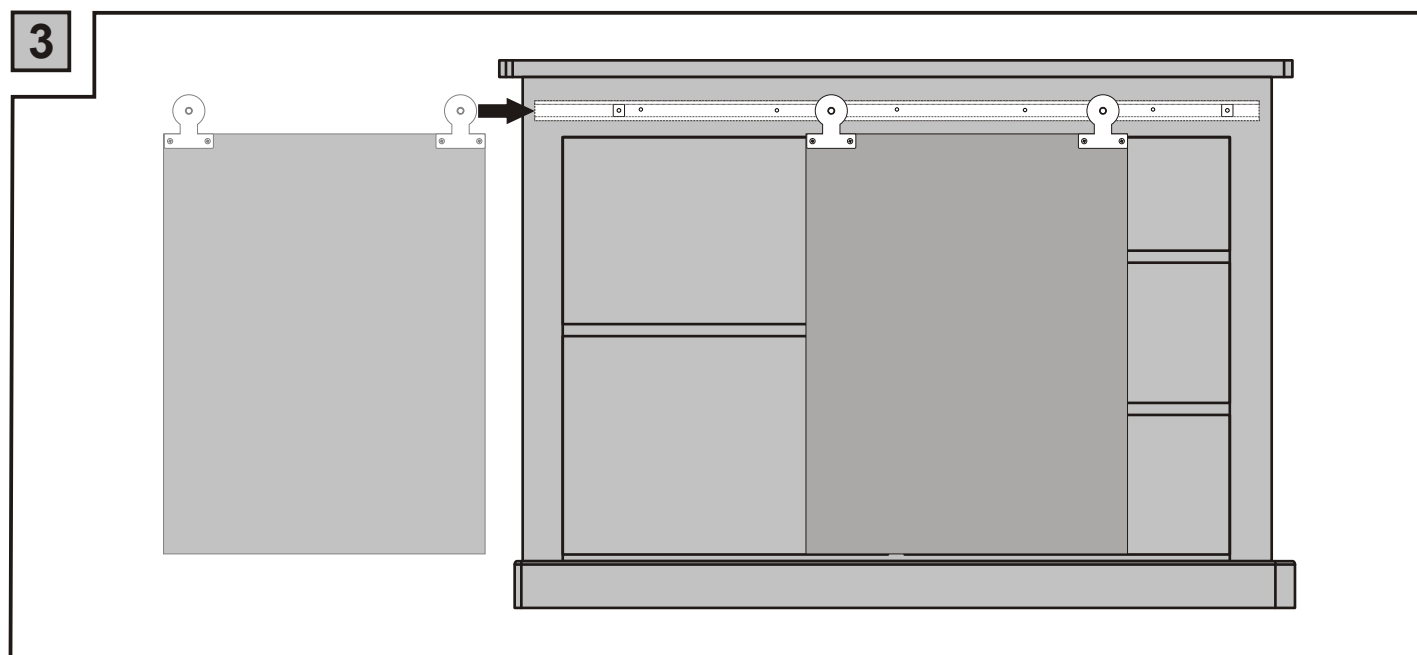
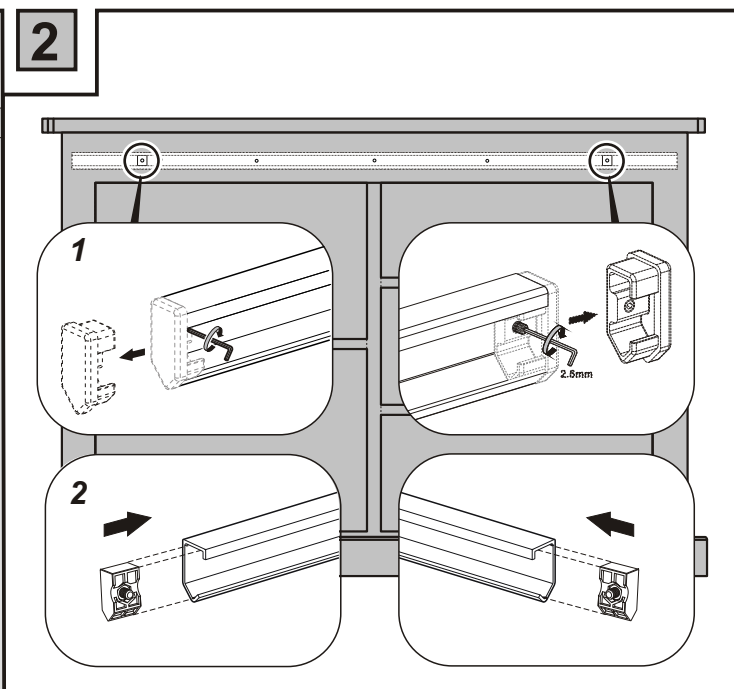
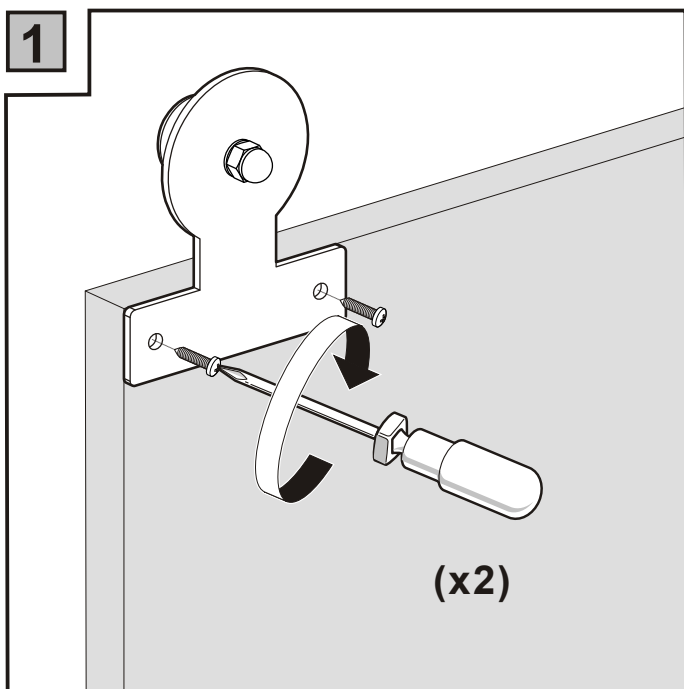
ST4.8x19 (x4)



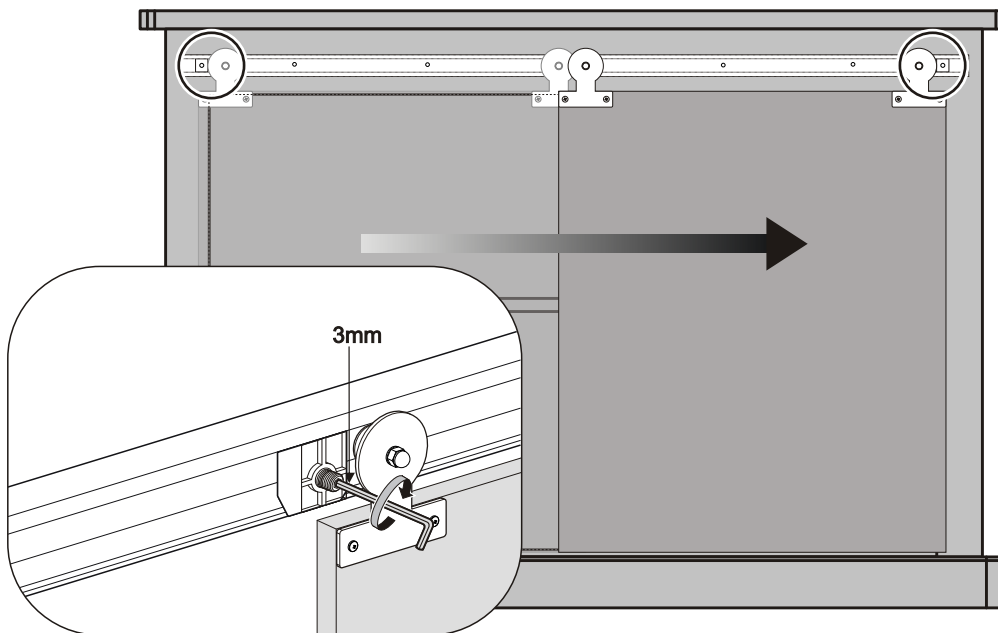
(x2)



(x1)



4



5

