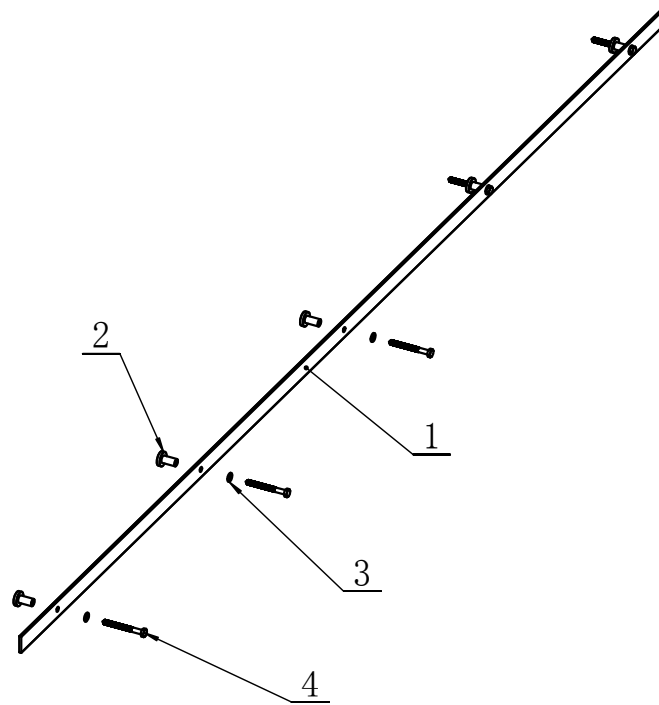


STRASS

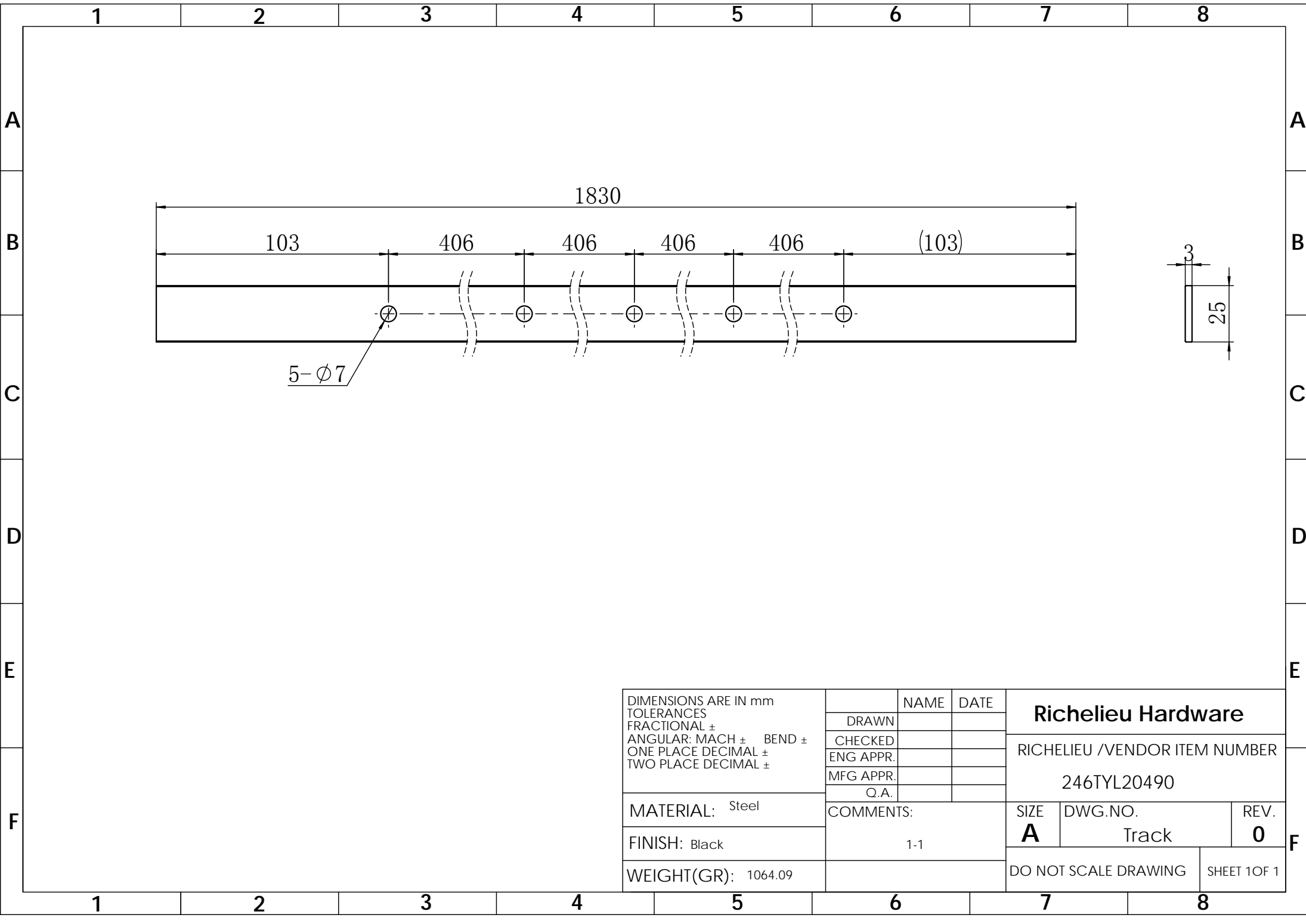
UMBRA

ARROW
FLÈCHE

LUNA

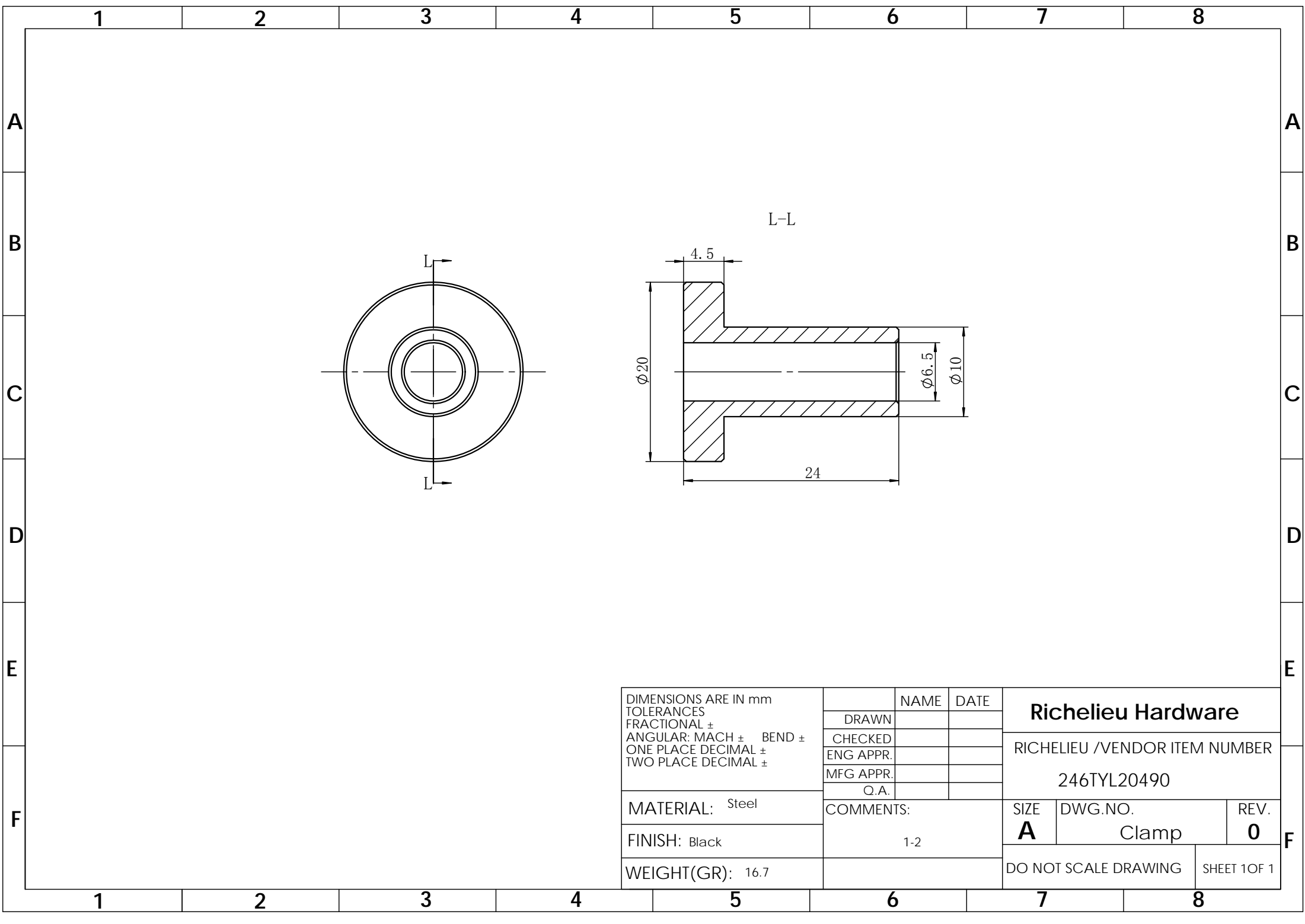


Item	DWG NO	Quantity	DIMENSIONS ARE IN mm TOLERANCES FRACTIONAL ± ANGULAR: MACH ± BEND ± ONE PLACE DECIMAL ± TWO PLACE DECIMAL ±	NAME	DATE	Richelieu Hardware		
				DRAWN				
1	Track	1	MATERIAL: Steel FINISH: Black WEIGHT(GR): 1227.73	CHECKED		RICHELIEU /VENDOR ITEM NUMBER 246TYL20490		
2	Clamp	5		ENG APPR.				
3	Washer	5		MFG APPR.		SIZE	DWG.NO.	REV.
4	Screw	5		Q.A.		A	Track	0
				COMMENTS:	1	DO NOT SCALE DRAWING		SHEET 1 OF 1

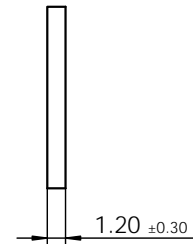
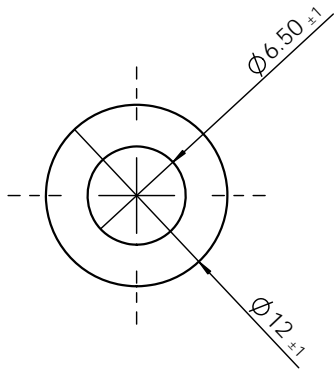
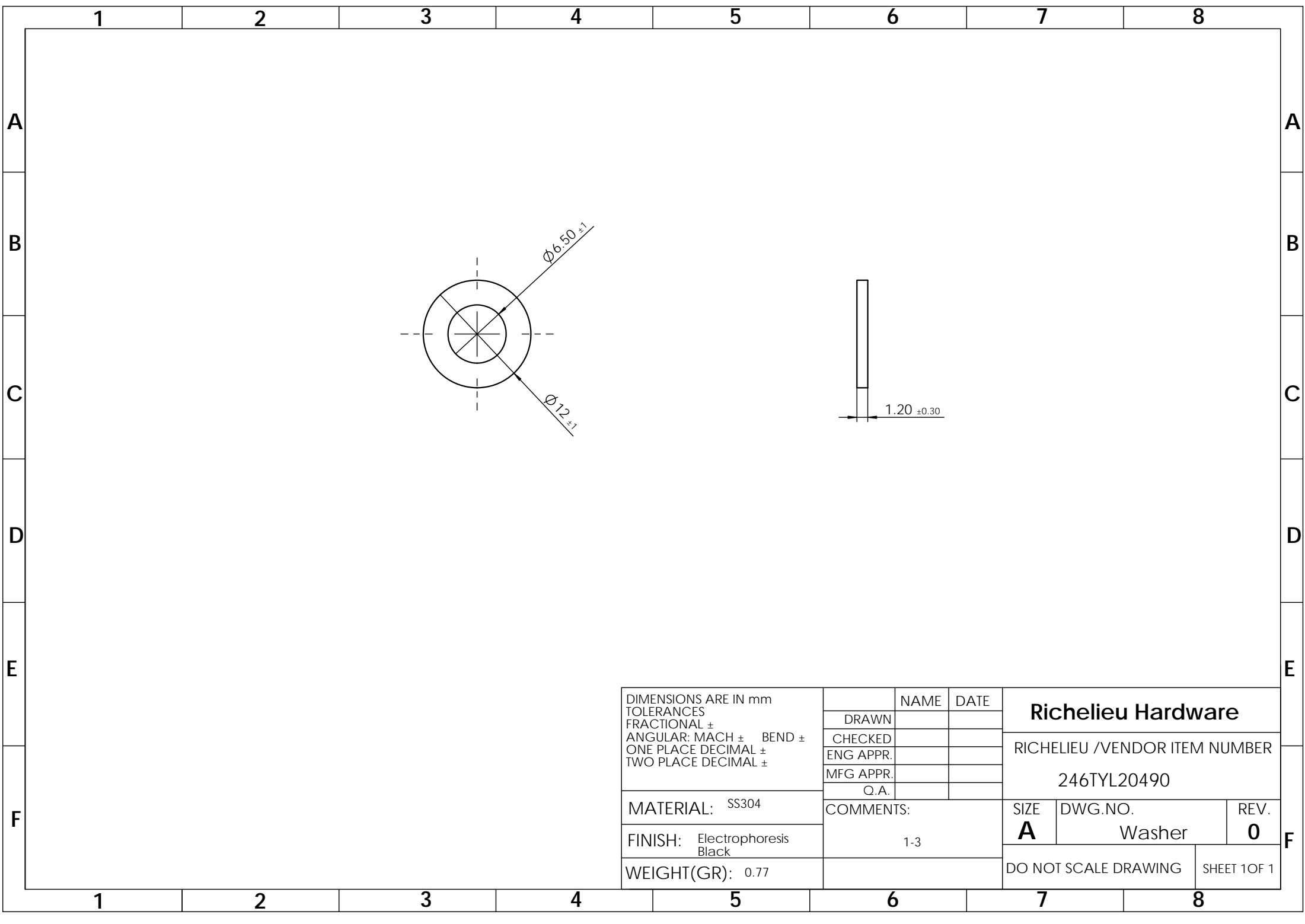


5- ϕ 7

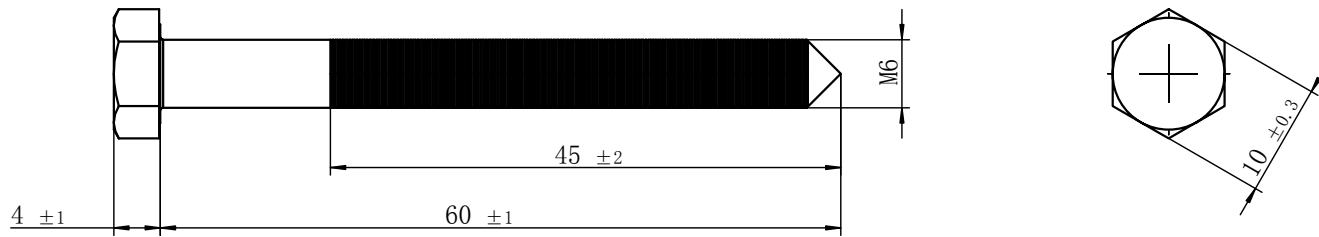
DIMENSIONS ARE IN mm TOLERANCES FRACTIONAL \pm ANGULAR: MACH \pm BEND \pm ONE PLACE DECIMAL \pm TWO PLACE DECIMAL \pm		NAME	DATE	Richelieu Hardware			
	DRAWN					RICHELIEU /VENDOR ITEM NUMBER 246TYL20490	
	CHECKED						
	ENG APPR.						
	MFG APPR.						
	Q.A.			SIZE	DWG.NO.	REV.	
MATERIAL: Steel	COMMENTS:		1-1		A	Track	0
FINISH: Black					DO NOT SCALE DRAWING		SHEET 1 OF 1
WEIGHT(GR): 1064.09							



DIMENSIONS ARE IN mm TOLERANCES FRACTIONAL ± ANGULAR: MACH ± BEND ± ONE PLACE DECIMAL ± TWO PLACE DECIMAL ±		NAME	DATE	Richelieu Hardware		
	DRAWN					RICHELIEU /VENDOR ITEM NUMBER 246TYL20490
	CHECKED					
	ENG APPR.					
	MFG APPR.					
	Q.A.			SIZE	DWG.NO.	REV.
MATERIAL: Steel	COMMENTS: 1-2		A		Clamp	0
FINISH: Black			DO NOT SCALE DRAWING		SHEET 1OF 1	
WEIGHT(GR): 16.7						



DIMENSIONS ARE IN mm TOLERANCES FRACTIONAL ± ANGULAR: MACH ± BEND ± ONE PLACE DECIMAL ± TWO PLACE DECIMAL ±		NAME	DATE	Richelieu Hardware		
	DRAWN					
	CHECKED			RICHELIEU /VENDOR ITEM NUMBER 246TYL20490		
	ENG APPR.					
	MFG APPR.					
	Q.A.			SIZE	DWG.NO.	REV.
MATERIAL: SS304	COMMENTS: 1-3		A Washer		0	
FINISH: Electrophoresis Black			DO NOT SCALE DRAWING		SHEET 1OF 1	
WEIGHT(GR): 0.77						



DIMENSIONS ARE IN mm TOLERANCES FRACTIONAL \pm ANGULAR: MACH \pm BEND \pm ONE PLACE DECIMAL \pm TWO PLACE DECIMAL \pm		NAME	DATE	Richelieu Hardware		
	DRAWN					RICHELIEU /VENDOR ITEM NUMBER 246TYL20490
	CHECKED					
	ENG APPR.					
	MFG APPR.					
	Q.A.			SIZE	DWG.NO.	REV.
MATERIAL: Steel	COMMENTS:		1-4	A	Screw	0
FINISH: Electrophoresis Black				DO NOT SCALE DRAWING		SHEET 1 OF 1
WEIGHT(GR): 15.26						