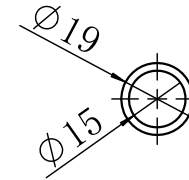
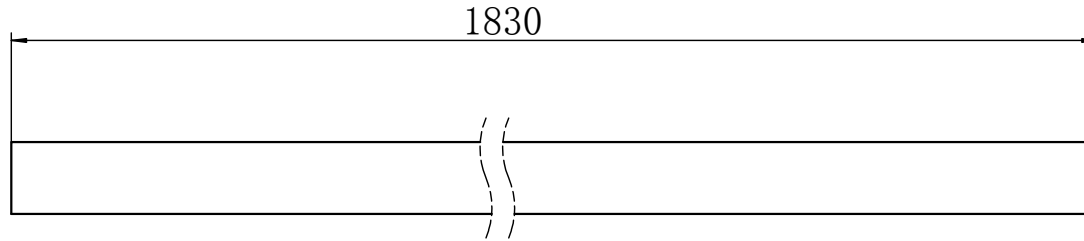
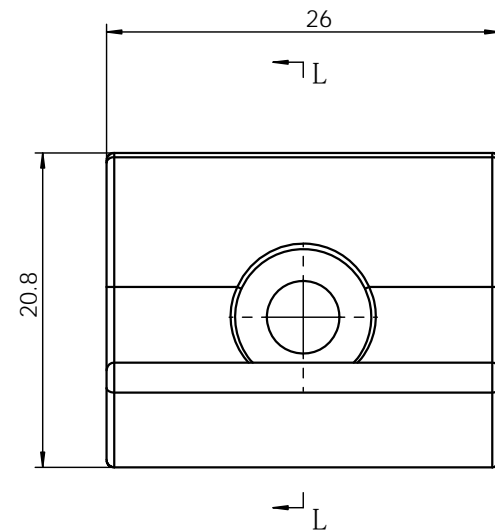
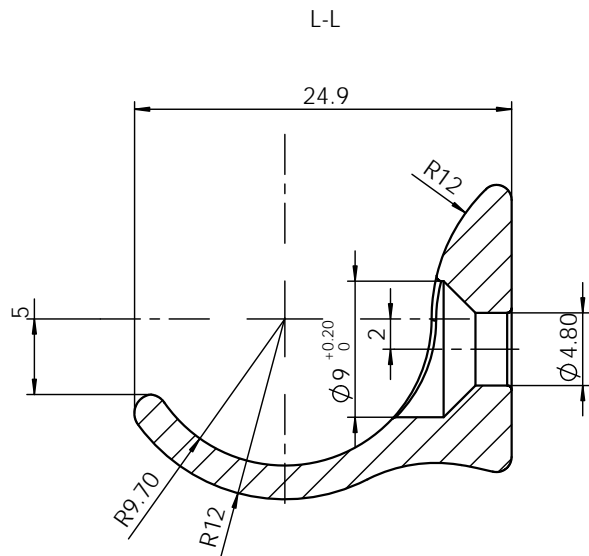


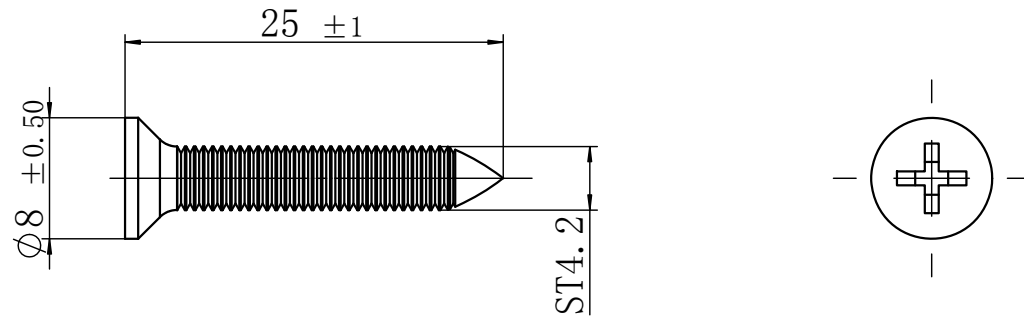
QUEREN



| | | | | | | |
|--|----------------|------|----------------------|--------------------|--------------|--|
| DIMENSIONS ARE IN mm TOLERANCES FRACTIONAL ± ANGULAR: MACH ± BEND ± ONE PLACE DECIMAL ± TWO PLACE DECIMAL ± | | NAME | DATE | Richelieu Hardware | | |
| | DRAWN | | | | | RICHELIEU /VENDOR ITEM NUMBER 189TYL204230290 |
| | CHECKED | | | | | |
| | ENG APPR. | | | | | |
| | MFG APPR. | | | | | |
| | Q.A. | | | SIZE | DWG.NO. | REV. |
| MATERIAL: SS304 | COMMENTS: 1 | | A | | Track | 0 |
| FINISH: Black | | | DO NOT SCALE DRAWING | | SHEET 1 OF 1 | |
| WEIGHT(GR): 1564 | | | | | | |



| | | | | | | |
|--|----------------|------|----------------------|--------------------|--------------|--|
| DIMENSIONS ARE IN mm TOLERANCES FRACTIONAL \pm ANGULAR: MACH \pm BEND \pm ONE PLACE DECIMAL \pm TWO PLACE DECIMAL \pm | | NAME | DATE | Richelieu Hardware | | |
| | DRAWN | | | | | RICHELIEU /VENDOR ITEM NUMBER 189TYL204230290 |
| | CHECKED | | | | | |
| | ENG APPR. | | | | | |
| | MFG APPR. | | | | | |
| | Q.A. | | | SIZE | DWG.NO. | REV. |
| MATERIAL: Steel | COMMENTS: 2 | | A | | Clamp | 0 |
| FINISH: Black | | | DO NOT SCALE DRAWING | | SHEET 1 OF 1 | |
| WEIGHT(GR): 9.5 | | | | | | |



| | | | | | | |
|--|-----------|------|------|----------------------|---------|--|
| DIMENSIONS ARE IN mm TOLERANCES FRACTIONAL \pm ANGULAR: MACH \pm BEND \pm ONE PLACE DECIMAL \pm TWO PLACE DECIMAL \pm | | NAME | DATE | Richelieu Hardware | | |
| | DRAWN | | | | | RICHELIEU /VENDOR ITEM NUMBER 189TYL204230290 |
| | CHECKED | | | | | |
| | ENG APPR. | | | | | |
| | MFG APPR. | | | | | |
| | Q.A. | | | SIZE | DWG.NO. | REV. |
| MATERIAL: SS304 | COMMENTS: | | | A | Screw | 0 |
| FINISH: Black | 3 | | | DO NOT SCALE DRAWING | | SHEET 1OF 1 |
| WEIGHT(GR): 2.61 | | | | | | |