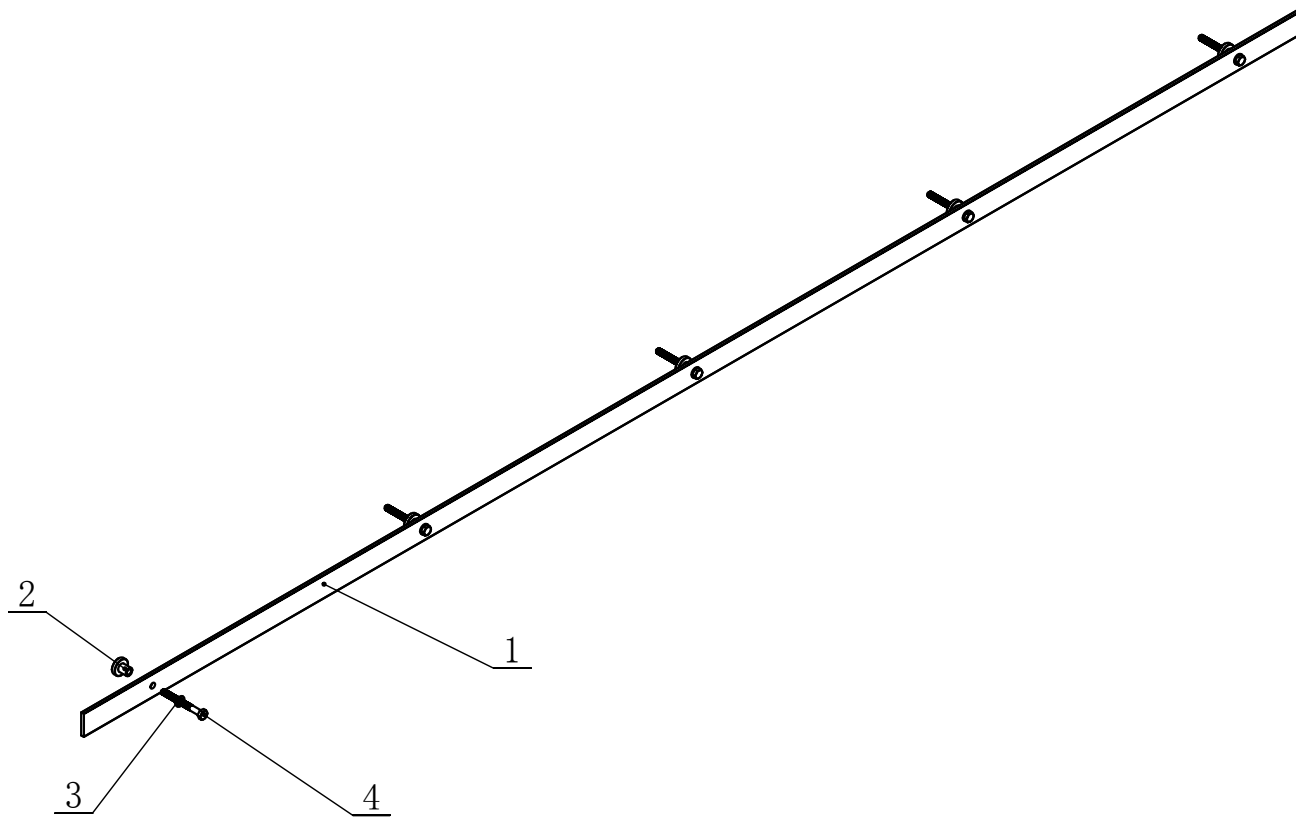
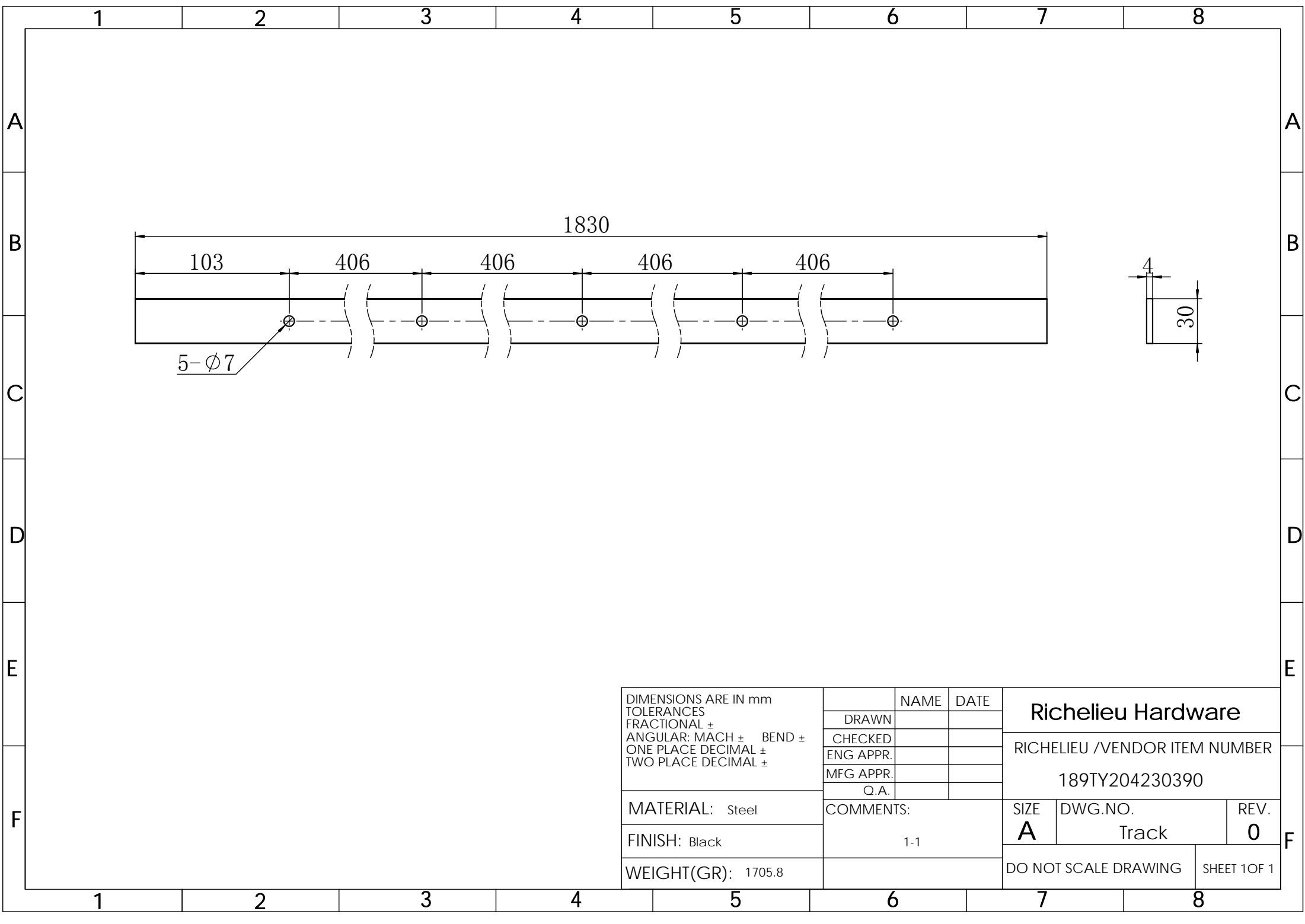


GURT



Item	DWG NO	Quantity	DIMENSIONS ARE IN mm TOLERANCES FRACTIONAL ± ANGULAR: MACH ± BEND ± ONE PLACE DECIMAL ± TWO PLACE DECIMAL ±	NAME	DATE	Richelieu Hardware		
1	Track	1	MATERIAL: Steel FINISH: Black WEIGHT(GR): 1855.2	DRAWN		RICHELIEU /VENDOR ITEM NUMBER		
2	Clamp	5		CHECKED		189TY204230390		
3	Washer	5		ENG APPR.		SIZE	DWG.NO.	REV.
4	Screw	5		MFG APPR.		A	Track	0
				Q.A.		DO NOT SCALE DRAWING SHEET 1OF 1		
				COMMENTS:	1			



5- ϕ 7

1830

103

406

406

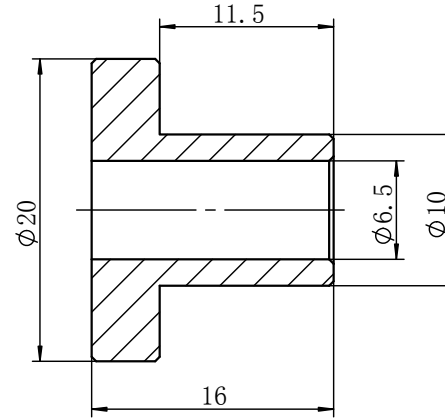
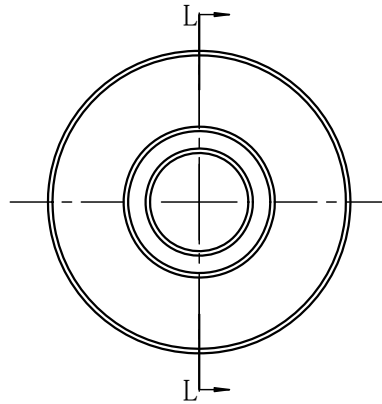
406

406

4

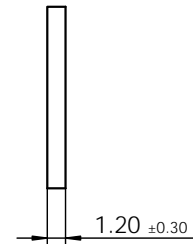
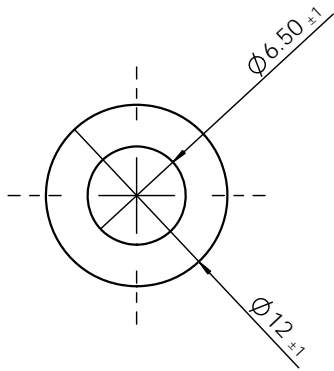
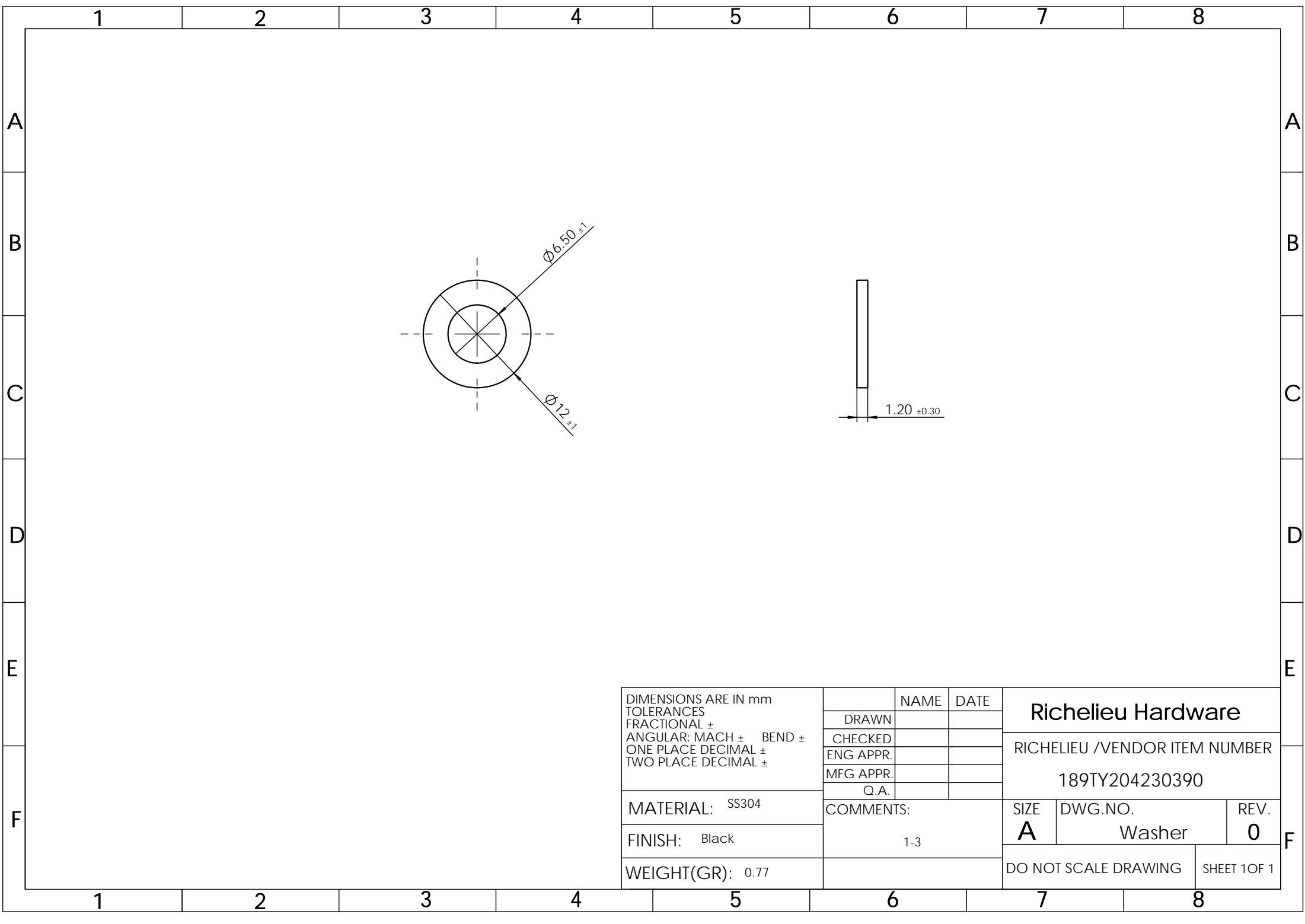
30

DIMENSIONS ARE IN mm TOLERANCES FRACTIONAL \pm ANGULAR: MACH \pm BEND \pm ONE PLACE DECIMAL \pm TWO PLACE DECIMAL \pm		NAME	DATE	Richelieu Hardware		
	DRAWN					
	CHECKED			RICHELIEU /VENDOR ITEM NUMBER 189TY204230390		
	ENG APPR.					
	MFG APPR.					
	Q.A.			SIZE	DWG.NO.	REV.
MATERIAL: Steel	COMMENTS:		A		Track	0
FINISH: Black	1-1					
WEIGHT(GR): 1705.8			DO NOT SCALE DRAWING		SHEET 1 OF 1	

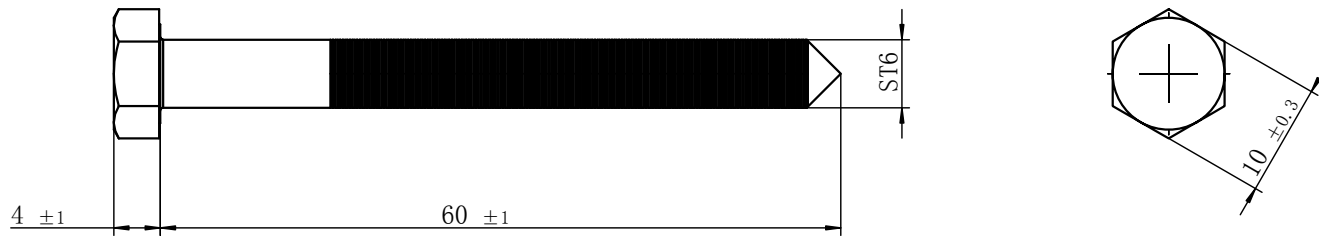


L-L

DIMENSIONS ARE IN mm TOLERANCES FRACTIONAL ± ANGULAR: MACH ± BEND ± ONE PLACE DECIMAL ± TWO PLACE DECIMAL ±		NAME	DATE	Richelieu Hardware		
	DRAWN					RICHELIEU /VENDOR ITEM NUMBER 189TY204230390
	CHECKED					
	ENG APPR.					
	MFG APPR.					
	Q.A.			SIZE	DWG.NO.	REV.
MATERIAL: Steel	COMMENTS: 1-2		A		Clamp	0
FINISH: Black			DO NOT SCALE DRAWING		SHEET 1OF 1	
WEIGHT(GR): 13.9						



DIMENSIONS ARE IN mm TOLERANCES FRACTIONAL ± ANGULAR: MACH ± BEND ± ONE PLACE DECIMAL ± TWO PLACE DECIMAL ±		NAME	DATE	Richelieu Hardware		
	DRAWN					
	CHECKED			RICHELIEU /VENDOR ITEM NUMBER 189TY204230390		
	ENG APPR.					
	MFG APPR.					
	Q.A.			SIZE	DWG.NO.	REV.
MATERIAL: SS304	COMMENTS: 1-3		A		Washer	0
FINISH: Black			DO NOT SCALE DRAWING		SHEET 1 OF 1	
WEIGHT(GR): 0.77						



DIMENSIONS ARE IN mm TOLERANCES FRACTIONAL \pm ANGULAR: MACH \pm BEND \pm ONE PLACE DECIMAL \pm TWO PLACE DECIMAL \pm		NAME	DATE	Richelieu Hardware		
	DRAWN					RICHELIEU /VENDOR ITEM NUMBER 189TY204230390
	CHECKED					
	ENG APPR.					
	MFG APPR.					
	Q.A.			SIZE	DWG.NO.	REV.
MATERIAL: Steel	COMMENTS:			A	Screw	0
FINISH: Black	1-4			DO NOT SCALE DRAWING		SHEET 1OF 1
WEIGHT(GR): 15.26						