




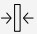


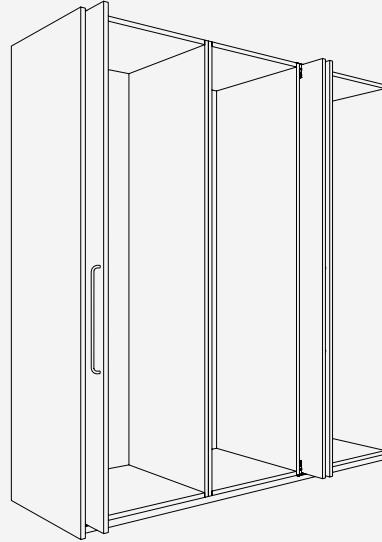
Fitting for pivoting and lateral sliding in of wooden doors up to 40 kg (88 lbs.). Enables multi-functional room design, paired with a flush-fitting design.

Product highlights

-  **Flexibility** Tremendous flexible door dimensions provides a high degree of design freedom
-  **Comfort** Easy, quiet operation thanks to soft closing mechanism and hinges with integrated soft closing mechanism

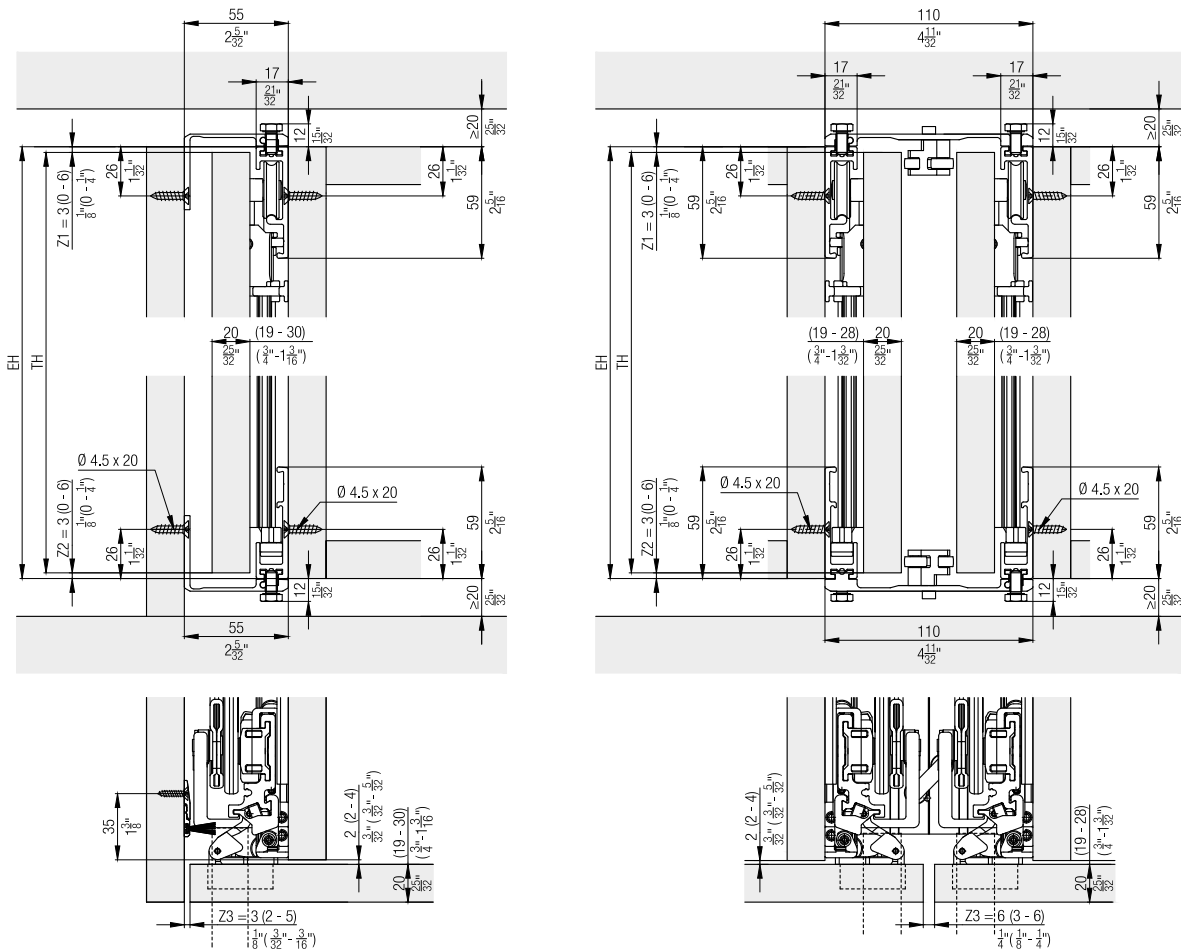
Technical specifications

-  Max. 20–40 kg (44 to 88 lbs.)
-  Max. 1851–2500 mm (6' 7/8" to 8' 2 7/16")
-  Max. 300–900 mm (11 13/16" to 2' 11 7/16")
-  19–50 mm (3/4" to 1 31/32")



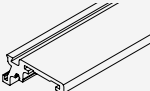

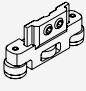






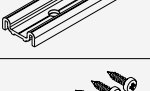
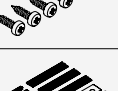
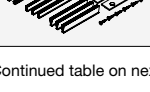
Installation examples

Door striking against the top and bottom cabinet sections



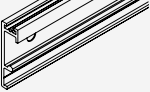


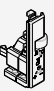
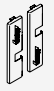
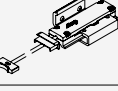

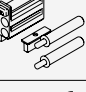
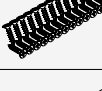


Set for 1 pivot /slide-in door up to 40 kg (88 lbs.)

Hawa Concepta 40, for 1 door	No. 27650
------------------------------	--------------

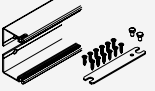
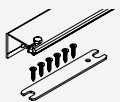

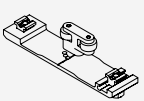
Set consisting of:		27650	No.
	Upright, 2500 mm (8'2 7/16"), aluminum, anodized	1	22056
	Two-wheeled running gear, height-adjustable, with torsion plate, zinc-plated matt	1	24955
	Upright guide, rattle proof, with plastic rollers	1	25656
	Scissor action complete, 1500 mm (4'11 1/16"), steel, galvanized	1	22594
	Front scissor guide, aluminum, anodized	1	25592
	Rear scissor guide, aluminum, anodized	1	25596
	Rear scissor bearing, 55 mm (2 5/32"), steel, galvanized	1	25855
	Concealed hinge with damper, nickel-plated, 4 pieces	1	27655
	Set of screws for concealed hinges, 4x16 mm (5/8"), set of 10 pieces	1	25935
	Spacer profile, 860 mm (2'9 27/32"), pre-drilled, plastic, black	1	22861
	Set of screws for spacer profile, PH 4x16 mm (5/8"), set of 7 pieces	1	25562
	Brush guide, plastic, black, set of 3 pieces	1	25815

Continued table on next column


Table continued from previous column

	Running track, 896 mm (2'11 9/32"), aluminium, anodized, pre-drilled	1	24528
	Bottom guide channel, 896 mm (2'11 9/32"), aluminium, anodized, pre-drilled	1	24535
	Stop cover cap Hawa Concepta, depth adjustable, top left/bottom right	1	27657
	Stop cover cap Hawa Concepta, depth adjustable, top right/bottom left	1	27658
	Cover plates, stainless steel, 1 pair	1	24739
	Stop damper, with retaining bracket	1	24660
	Door retractor 30/40, with damper, plastic, black	1	25813
	Soft closing system for end position, with cover caps, plastic, black	1	25862
	Screw set, 4,5x20 mm (25/32"), set of 22 pieces	1	22451
	Allen key, with handle, 3 mm (1/8")	1	13164
	Installation aid, plastic, red	1	25816


Cabinet connecting profile

		mm (inch)	No.
	Connector 55 mm (2 5/32"), for one pivot/slide-in door, aluminum, plain anodized, 2 pieces	650 (2' 1 19/32")	25438
	Connector 55 mm (2 5/32"), for one pivot/slide-in door, aluminium, anodized, 1 piece	650 (2' 1 19/32")	23221
		900 (2' 11 7/16")	23222
	Connector 110 mm (4 11/32"), for two pivot/slide-in doors, aluminium, anodized, 1 piece	650 (2' 1 19/32")	23223
		900 (2' 11 7/16")	23224
	Connector 110 mm (4 11/32"), for two pivot/slide-in doors, aluminium, anodized, 1 piece (for installation in front of a fixed base)	26 (1 1/32")	23225

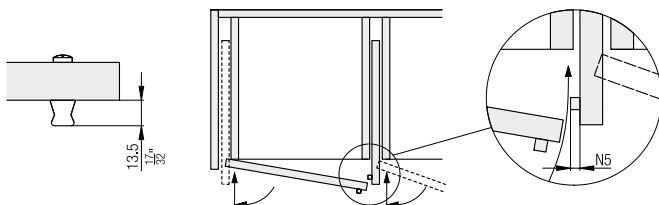
Guides

		No.
	Guide for two inset pivot sliding doors, aluminum	25680

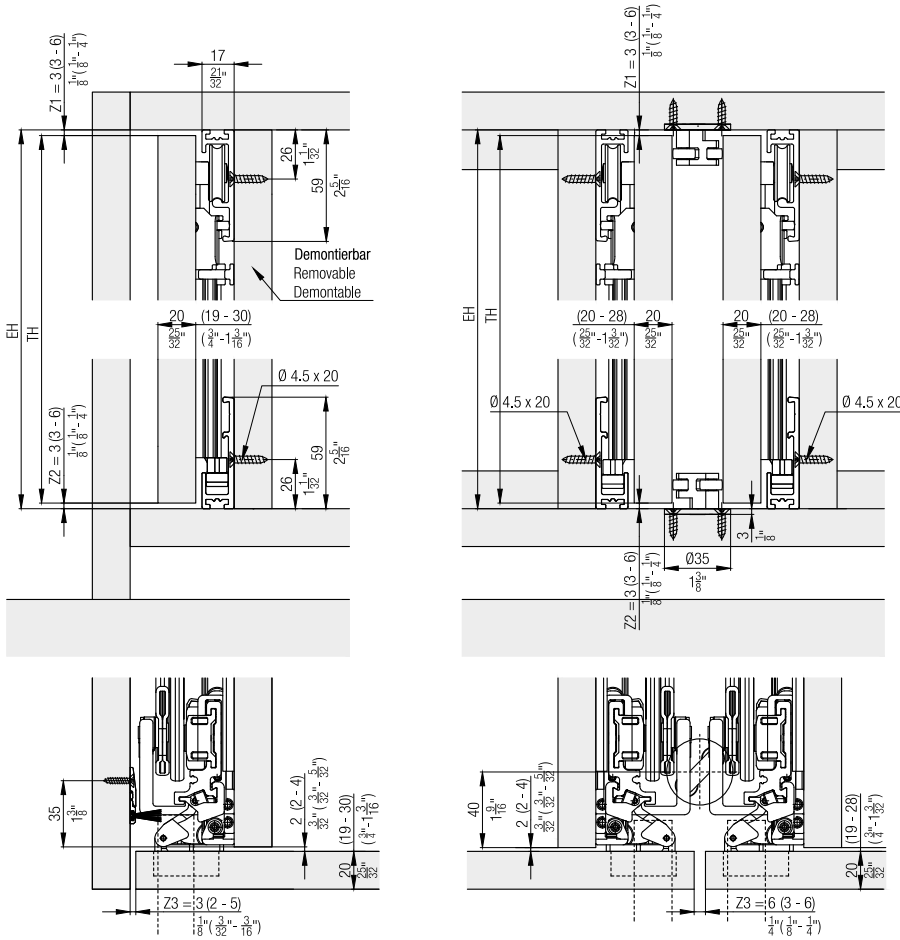
Door handles

		mm (inch)	No.
	Door handle, aluminum, anodized	400 (1' 3 3/4")	22692

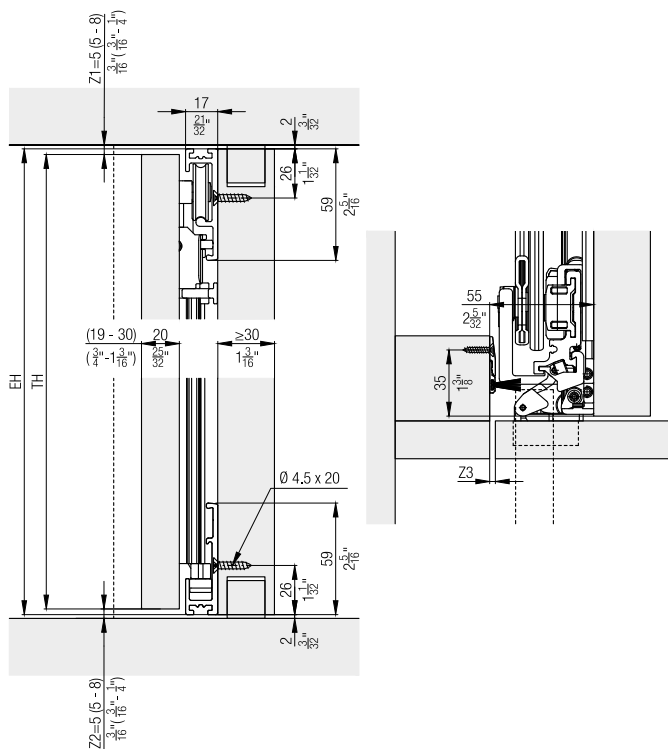
Door handle height



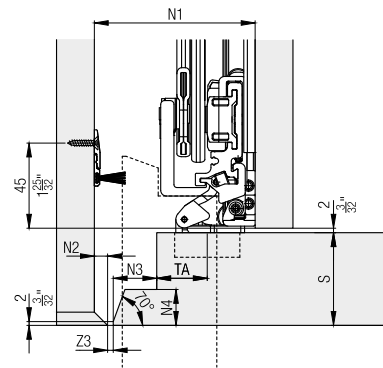
Further installation examples
Inset door



Door in wall niche



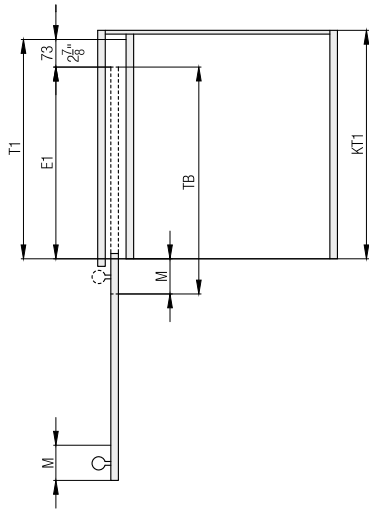
Door thickness 31-50 mm (1 7/32" to 1 31/32")



S	N1	N2	N3	N4
19-30 mm	55 mm	0 mm	0 mm	0 mm
33 mm	58 mm	0 mm	3 mm	3 mm
36 mm	63 mm	2 mm	6 mm	5 mm
39 mm	67 mm	3 mm	9 mm	8 mm
42 mm	70 mm	3 mm	12 mm	11 mm
45 mm	75 mm	5 mm	15 mm	14 mm
48 mm	79 mm	6 mm	18 mm	17 mm
50 mm	83 mm	7 mm	21 mm	19 mm

S	N1	N2	N3	N4
$\frac{3}{4}'' - 1\frac{3}{16}''$	$2\frac{3}{16}''$	0	0	0
$1\frac{5}{16}''$	$2\frac{9}{32}''$	0	$\frac{1}{8}''$	$\frac{1}{8}''$
$1\frac{7}{16}''$	$2\frac{1}{2}''$	$\frac{3}{32}''$	$\frac{1}{4}''$	$\frac{7}{32}''$
$1\frac{17}{32}''$	$2\frac{21}{32}''$	$\frac{1}{8}''$	$\frac{3}{8}''$	$\frac{5}{16}''$
$1\frac{21}{32}''$	$2\frac{4}{32}''$	$\frac{1}{8}''$	$\frac{15}{32}''$	$\frac{7}{16}''$
$1\frac{25}{32}''$	$2\frac{31}{32}''$	$\frac{7}{32}''$	$\frac{19}{32}''$	$\frac{9}{16}''$
$1\frac{29}{32}''$	$3\frac{1}{8}''$	$\frac{1}{4}''$	$\frac{23}{32}''$	$\frac{11}{16}''$
$1\frac{31}{32}''$	$3\frac{9}{32}''$	$\frac{9}{32}''$	$\frac{27}{32}''$	$\frac{3}{4}''$

Fitting depth calculations



$$T1 = TB - M + 73 \text{ mm}$$

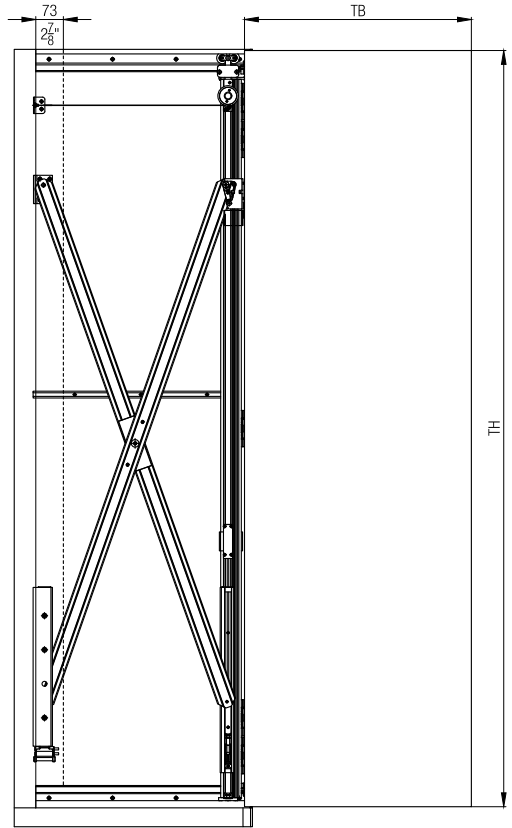
$$E1 = T1 - 73 \text{ mm}$$

$$T1 = TB - M + 2\frac{7}{8}''$$

$$E1 = T1 - 2\frac{7}{8}''$$

	T1	TH	E1
Hawa Concepta 40	≤ 900 mm	1851 - 2500 mm	300 - 827 mm

	T1	TH	E1
Hawa Concepta 40	≤ 2' 11 $\frac{7}{16}$ "	6' 0 $\frac{7}{8}$ " - 8' 2 $\frac{7}{16}$ "	11 $\frac{13}{16}$ " - 2' 8 $\frac{9}{16}$ "



Weight and door size ratio calculations

The maximum weight must be adapted depending on the door size ratio.

TH \ TB	300	350	400	450	500	550	600	650	700	750	800	850	900
2500	40	40	40	40	40	40	40	40	40	37	34	32	31
2450	40	40	40	40	40	40	40	40	39	36	34	32	30
2400	40	40	40	40	40	40	40	40	38	35	33	31	29
2350	40	40	40	40	40	40	40	40	37	34	32	30	29
2300	40	40	40	40	40	40	40	39	36	33	31	30	28
2250	40	40	40	40	40	40	40	38	35	33	31	29	27
2200	40	40	40	40	40	40	40	37	34	32	30	28	27
2150	40	40	40	40	40	40	39	36	33	31	29	27	26
2100	40	40	40	40	40	40	38	35	32	31	28	27	25
2050	40	40	40	40	40	40	37	34	31	30	28	26	24
2000	40	40	40	40	40	39	36	33	31	29	27	25	24
1950	40	40	40	40	40	38	35	32	30	28	26	24	23
1900	40	40	40	40	40	37	34	31	29	27	25	24	22
1851	40	40	40	40	39	36	33	30	28	26	24	23	22

Door weight in kg | TB = Door width in mm | TH = Door height in mm

Accessories

– Straightening fitting from page 236

Planning/execution

Configure with just a few clicks on www.concepta.hawa.com

Further information about the product can be found on www.hawa.com.