

Version: 12-2004

INSERTA tool-free assembly

Blum offers tool-free attachment of hinge to door and plate to cabinet with its INSERTA hinges and mounting plates.



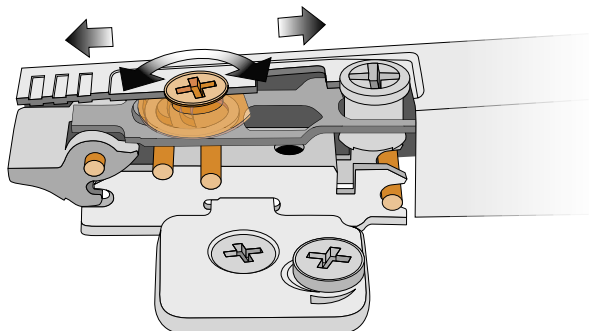
Time proven CLIP and CLIP TOP technology

Since 1985, the CLIP hinge has been an industry leader in easy, tool-free attachment of door to cabinet.



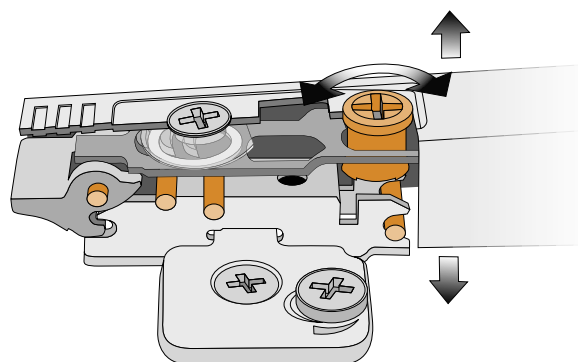
CLIP TOP special feature: Spiral-Tech depth adjustment

With Blum's Spiral-Tech depth adjustment, just one and three quarter revolutions of the screw creates 5mm of adjustment without loosening and retightening a fixing screw.



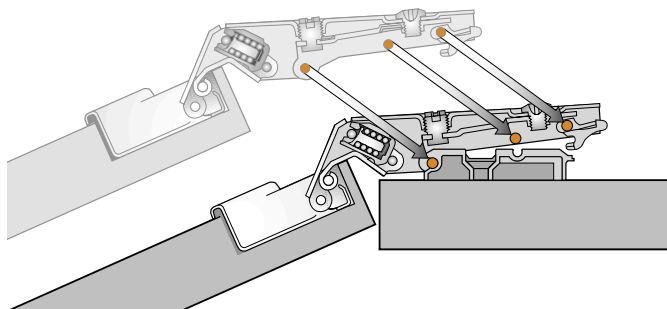
Side adjustment

Blum's side adjustment is a flush screwhead that allows 4mm of adjustment. It also has an integral stop that prevents removal.



Blum three-point contact

CLIP top and CLIP hinges have three-point contact between the hinge and mounting plate to keep them firmly connected under heavy usage.



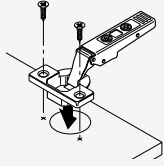
Wide variety of mounting plates

Blum has mounting plates for every application, from wing plates with pre-attached screws or dowels, to Cam height adjustable face frame adapters, to sleek in-line mounting plates.



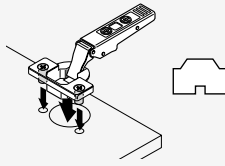
Hinge-to-door attachment

Screw-on



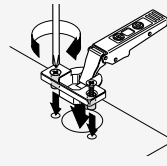
Use #6 wood screws

Press-in



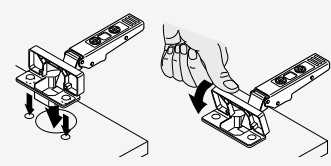
Pre-attached dowels installed with Blum MINIPRESS

EXPANDO



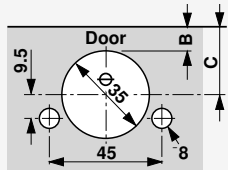
Pre-attached expanding dowels

INSERTA



Tool-free attachment

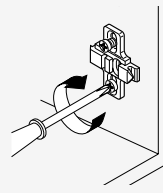
Hinge cup centerpoint



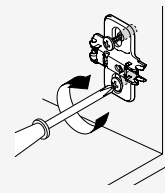
C Cup centerpoint					
20.5	21.5	22.5	23.5	24.5	25.5
3	4	5	6	7*	8*
B Bore distance					

* only for use with select Blum hinges
 Cup centerpoint is the MINIPRESS or MINIDRILL fence depth position.

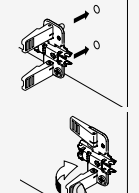
Mounting plate-to-cabinet



Screw-on



EXPANDO

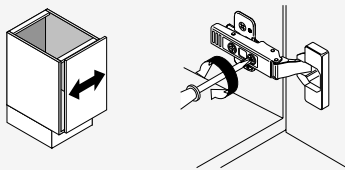


INSERTA

Three-dimensional adjustment

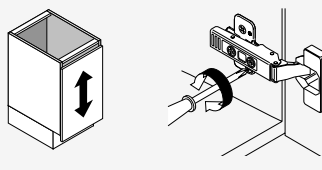
Side adjustment

Turn front screw to increase or decrease door overlay (+/-2mm).



Height adjustment

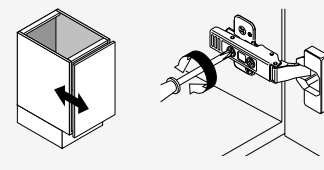
Rotate cam Screw-on mounting plate to adjust door position (+/-2mm).



On non-cam mounting plates, loosen screw, adjust door and retighten screws.

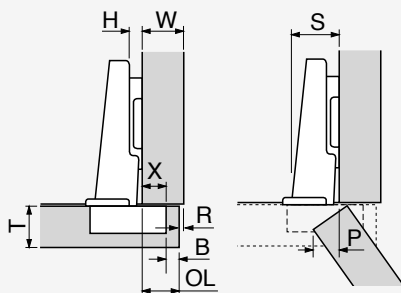
Depth adjustment

Turn rear spiral-tech cam screw to adjust door position (+3mm, -2mm).



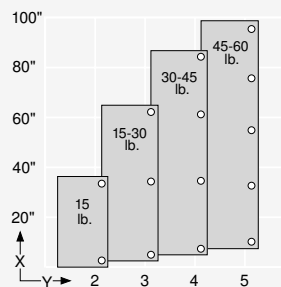
For CLIP, loosen rear screw, adjust and retighten.

Hinge dimension abbreviations



- B = Boring distance
- H = Mounting plate height
- OL = Door overlay
- P = Door protrusion (at max opening)
- R = Reveal
- S = Hinge arm protrusion
- T = Door thickness
- W = Side panel width
- X = Fixed distance

Hinges per door



This chart can serve as a guide for determining the number of hinges per door. Note that door weight can also determine the number of hinges required.

Important:
 The distance between the two hinges must be greater than the width of the door for maximum stability.

X = Door height
 Y = Number of hinges