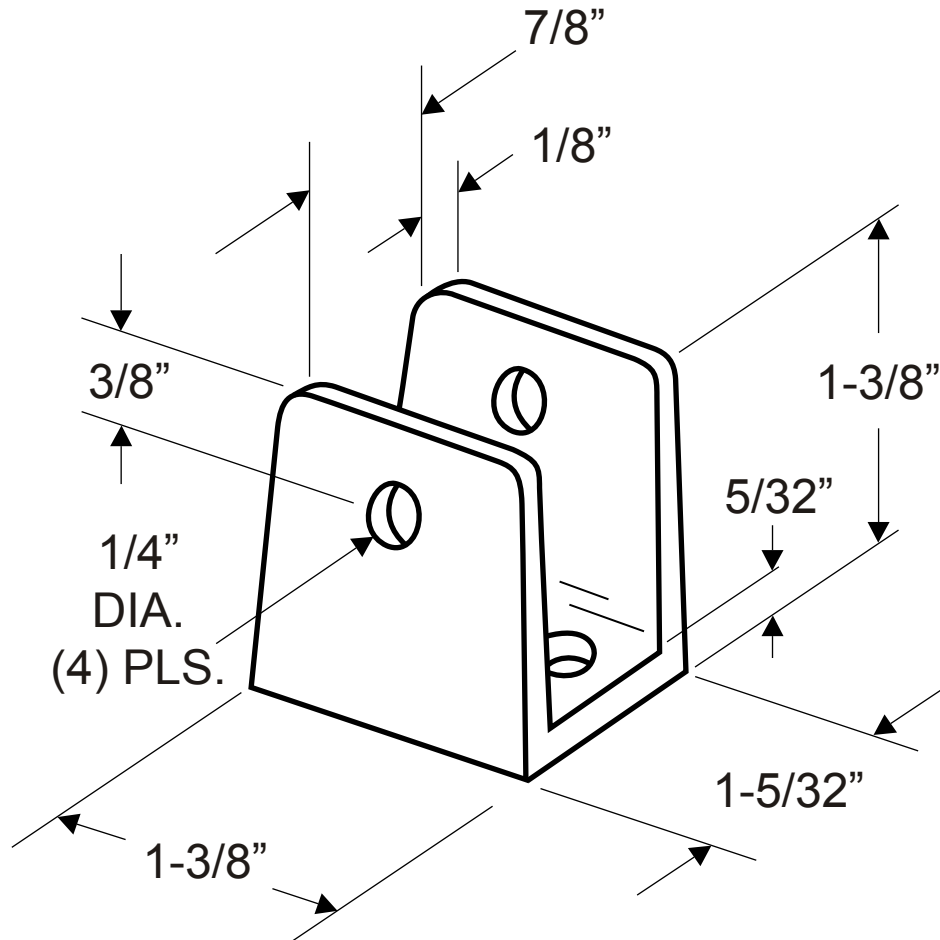


**1900, 1903, 1908
(U-BRACKET 7/8")**



NOTE: TWO HOLES IN BASE