

Richelieu

1029

Coulisse centrale
Center mount slide

ACCURIDE



LONGUEUR / LENGTH

115 (12-5/8" - 14-1/2")

117 (14-5/8" - 16-1/2")

119 (16-5/8" - 18-1/2")

121 (18-5/8" - 20-1/2")

123 (20-5/8" - 22-1/2")

Mesure en pouce approximative / Approximate inch measurement

Mounting instructions

1. To use the 1029 center slide the drawer side must extend below the drawer bottom 1/4". (Fig. 1) It may be necessary to cut a notch in the back overhang of the drawer, allowing the slide to fully extend to the back of the cabinet.

NOTE: A shim equal to the amount of extension greater than 1/4" should be installed below the cabinet member. Example: 3/8" drawer side extension requires a 1/8" shim. (Fig. 2)

2. Separate the drawer and cabinet members by pulling firmly through the friction resistance.
3. Measure and mark the center line of the drawer width and the cabinet opening.
4. Mount the drawer member (narrow member) on the underside of the drawer center line. (Fig. 3) Install a #8 pan head screw through the sloped slot so the front of the drawer member is flush with the rear of the drawer front panel. Select a hole nearest the center back of the drawer at its thickest point and install a #8 pan head screw.

5. **With rear adjustable bracket**

At the rear of the cabinet locate a point on the centerline of the cabinet opening and 13/16" above the cross rail. Install a #8 screw through the horizontal slot in the bracket.

Do not tighten completely. Assemble cabinet member to the bracket and extend member to cabinet front and mount to predetermined center line of cabinet cross rail.

Without rear adjustable bracket

If cabinet has a horizontal stringer, mount directly through holes provided. Secure #8 screws to stringer.

6. Move the ball bearing retainer towards the front of the cabinet member until it comes to the formed stop on member. Carefully engage the drawer member into cabinet until it is completely closed. Secure the "rear adjustable bracket" (if necessary) so the front drawer panel closes flush with the cabinet.
7. After all adjustments have been made, securely tighten all screws. A round hole is provided in the rear bracket to accommodate a fixing screw.
8. Install plastic headed glide tacks in front face frame so drawer slides are supported. (Fig. 1)

Richelieu

1029

Coulisse centrale
Center mount slide

LONGUEUR / LENGTH

115 (12-5/8" - 14-1/2")

117 (14-5/8" - 16-1/2")

119 (16-5/8" - 18-1/2")

121 (18-5/8" - 20-1/2")

123 (20-5/8" - 22-1/2")

Mesure en pouce approximative / Approximate inch measurement

ACCURIDE



Figure 1

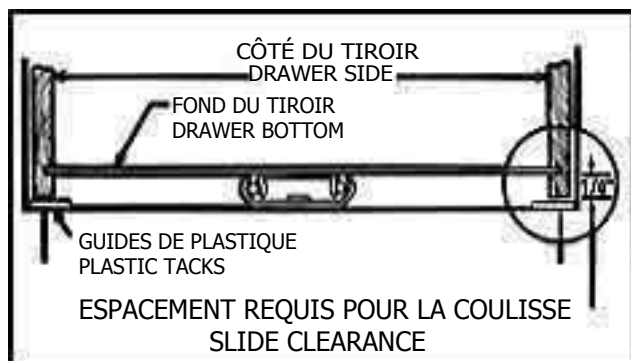


Figure 2

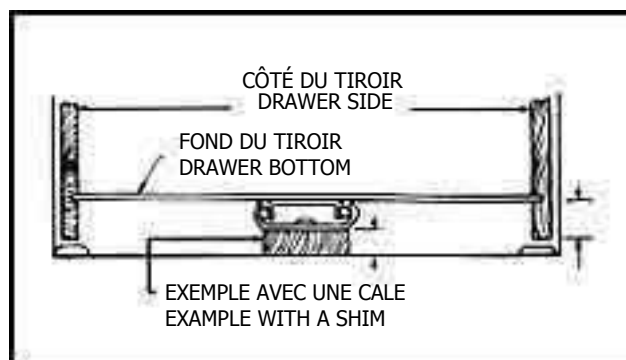


Figure 3

