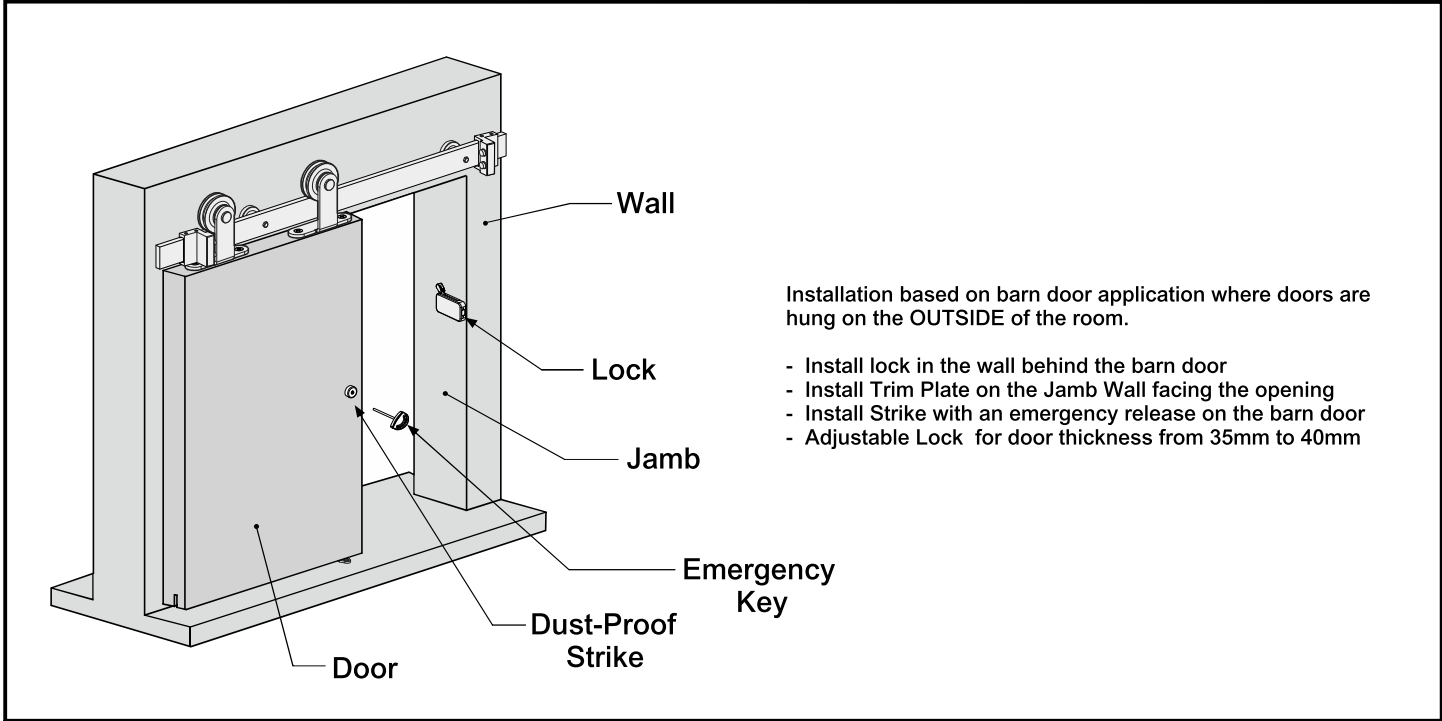


Installation Manual

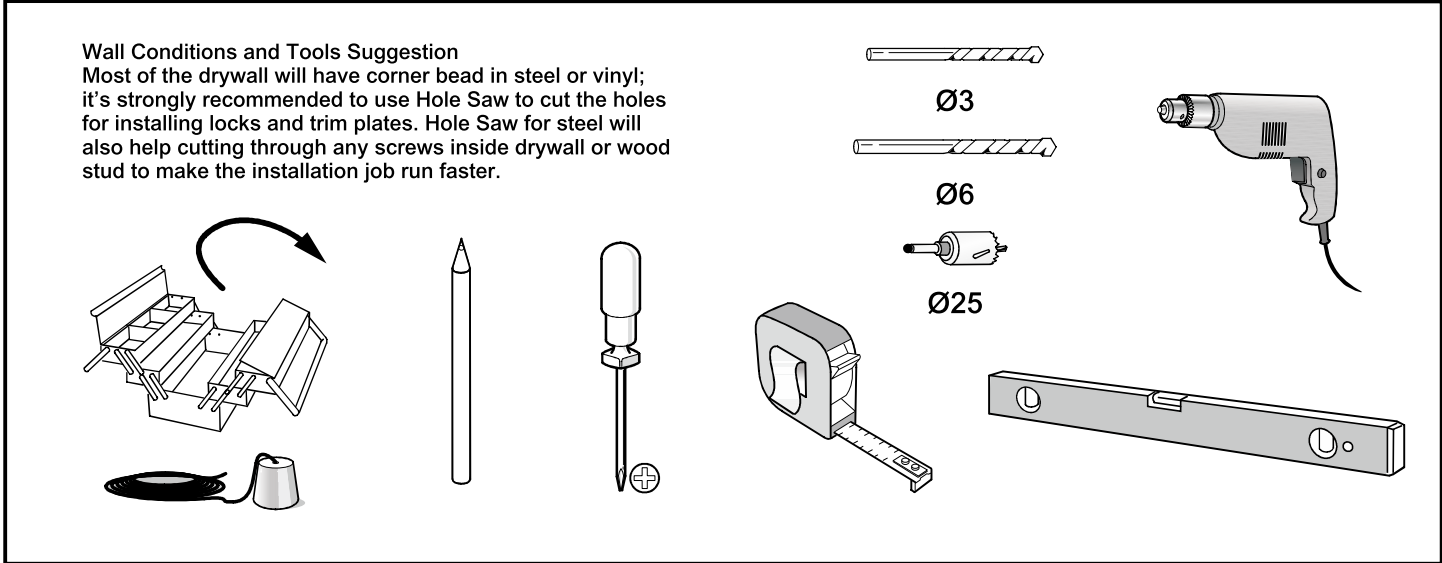


Installation based on barn door application where doors are hung on the OUTSIDE of the room.

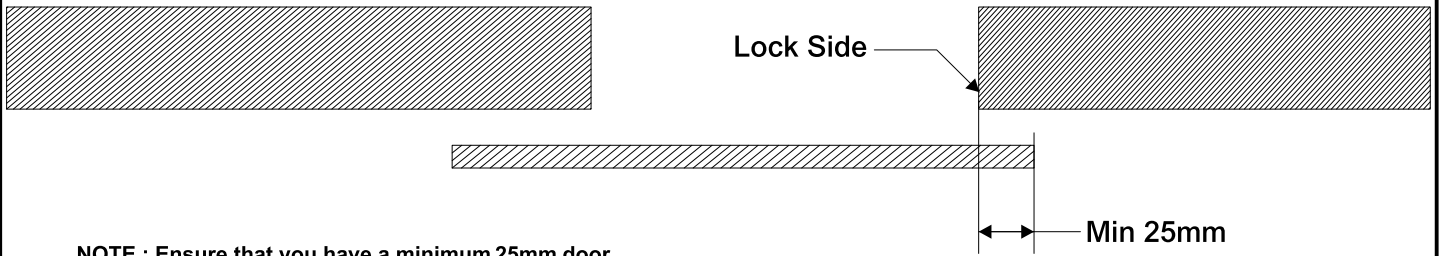
- Install lock in the wall behind the barn door
- Install Trim Plate on the Jamb Wall facing the opening
- Install Strike with an emergency release on the barn door
- Adjustable Lock for door thickness from 35mm to 40mm

**Series Privacy Barn Door Lock Set Parts List:
(With Face Fixing Trim Plate)**

Lock	①	Lock Body Cover	1
	②	M3x5 Cover Screw	1
	③	Sleeve A	1
	④	M4 x 6 Slotted Head Screws	1
	⑤	Sleeve B	1
	⑥	Arm	1
	⑦	Washer	1
	⑧	Barn Door Lock Body	1
	⑨	ST3.5x25 Wood Combo Screw	3
	⑩	Expansion	3
	⑪	Lock Body Cover	1
Strike	⑫	Dust Proof Strike	1
	⑬	Sleeve	1
	⑭	Hollow Screw	1
	⑮	Hollow Screw	1
Others	⑯	Decorative Cap	1
	⑰	Emergency Key	1

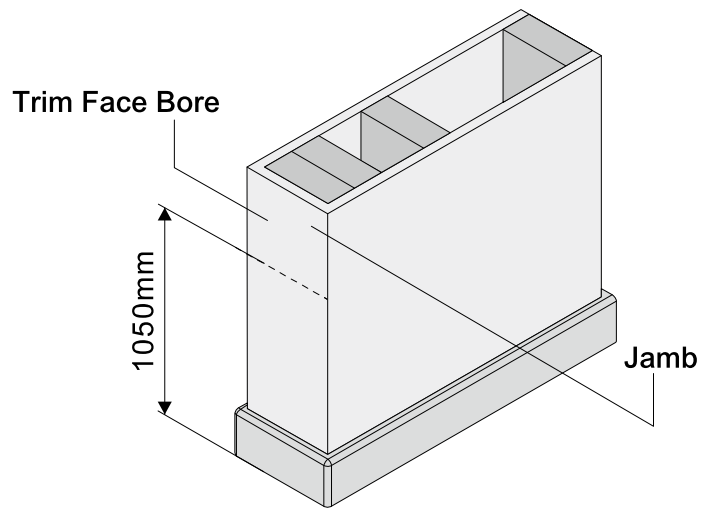


1 Wall and door preparation.



NOTE : Ensure that you have a minimum 25mm door overlap before installing Privacy Lock.

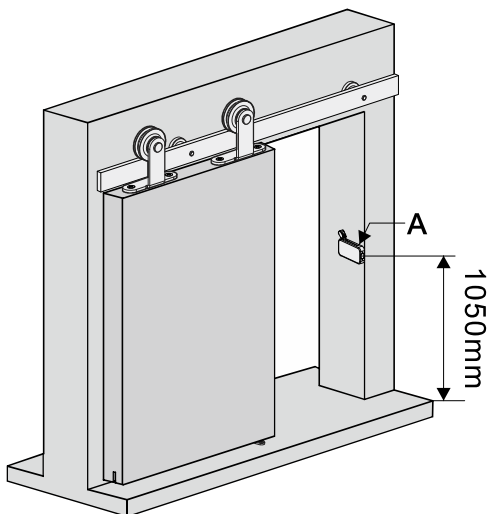
2 Prep on the jamb.



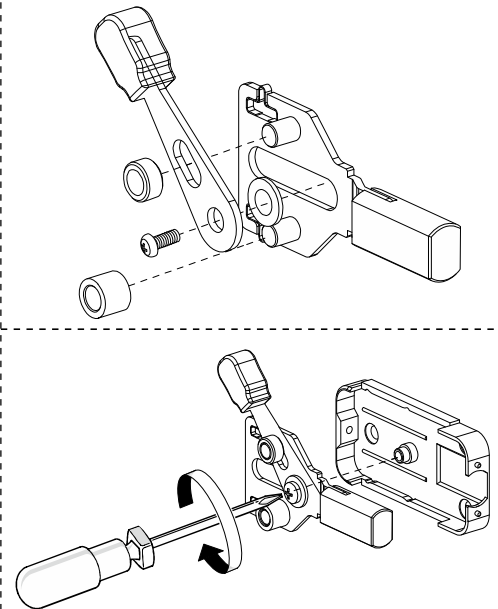
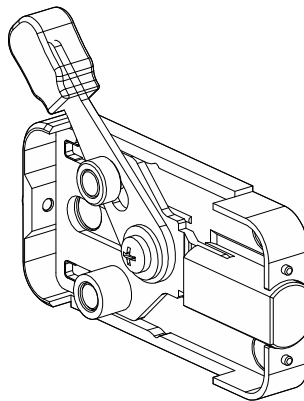
NOTE : Remove Barn Door if it interferes with the lock installation.

3 Installation of the lock.

3.1.A Adjust lock body orientation.

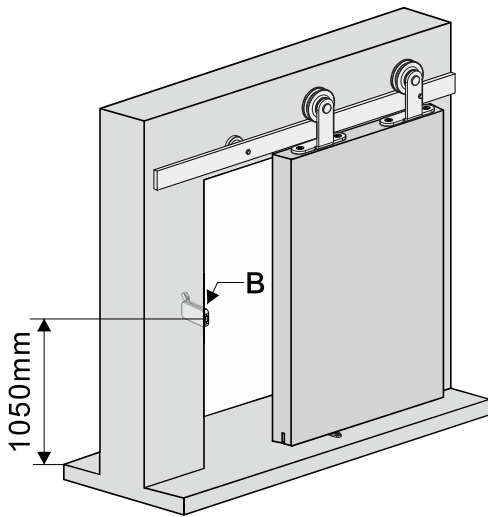


A left hand

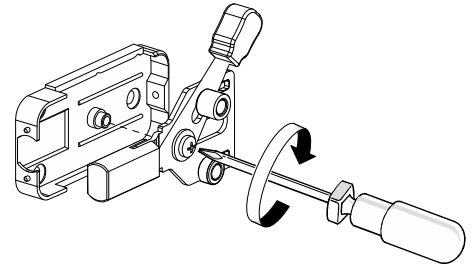
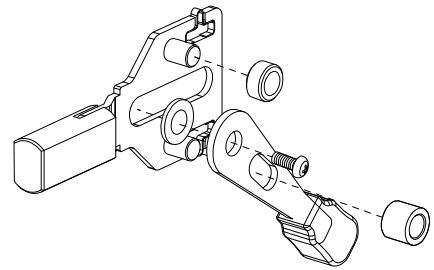
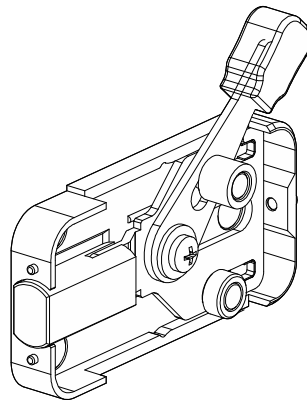


3 Installation of the lock.

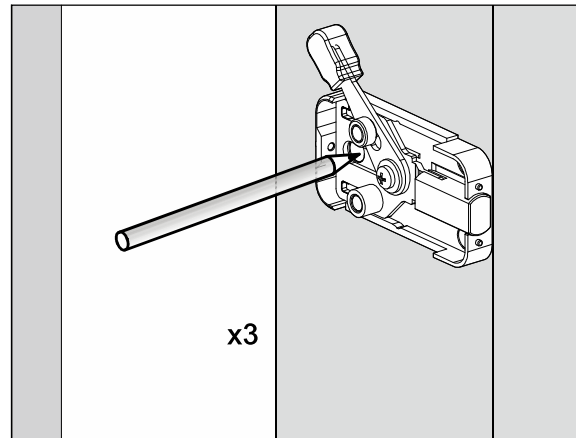
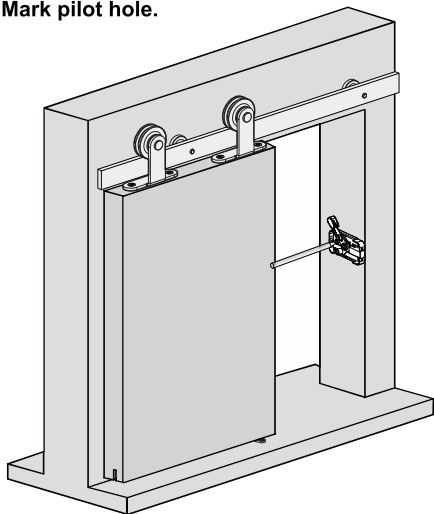
3.1.B Adjust lock body orientation.



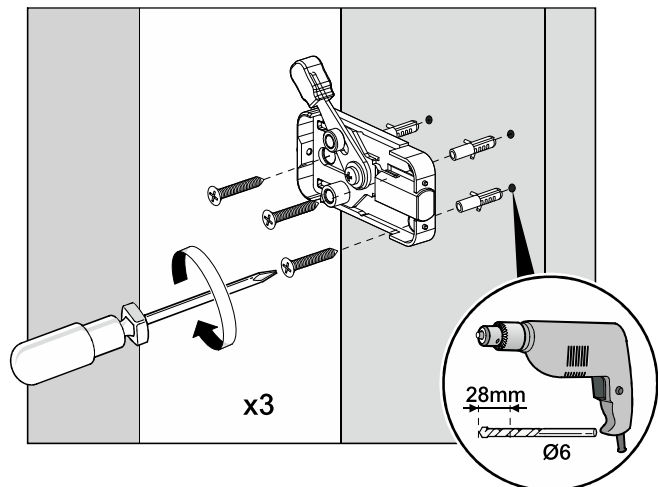
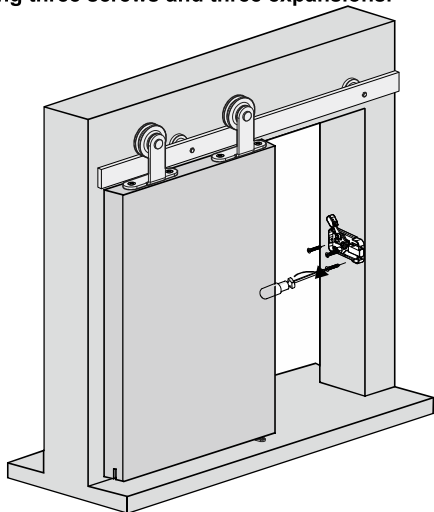
B right hand



3.2 Mark pilot hole.

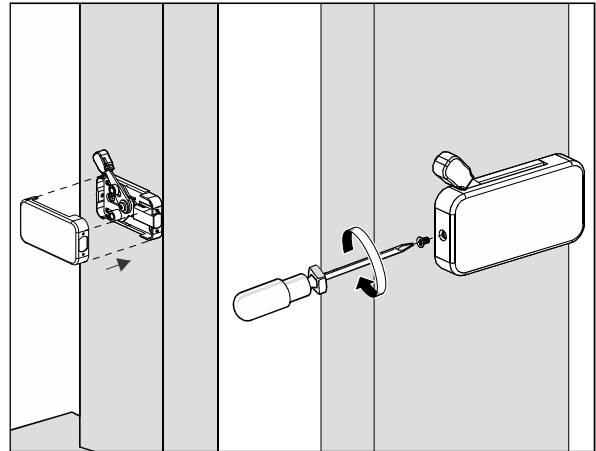
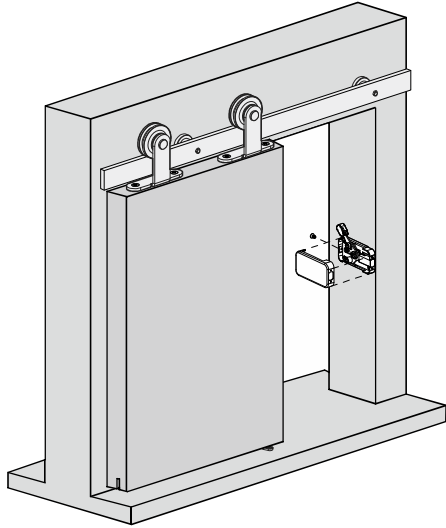


3.3 Attach mounting plate to door jamb using three screws and three expansions.

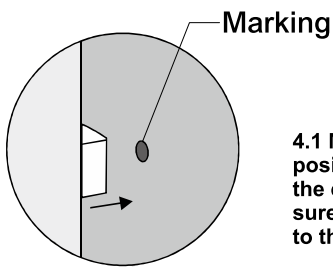


3 Installation of the lock.

3.4 Install lock cover and screw.



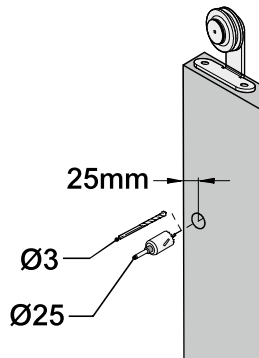
4 Prep and install dust proof strike with emergency release on barn door.



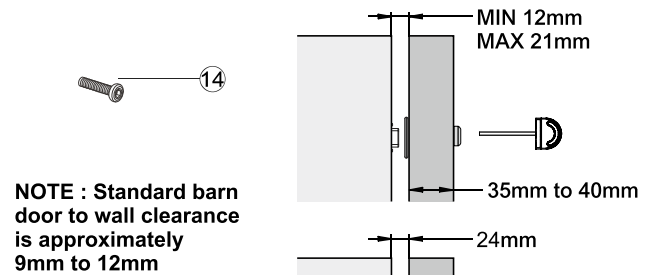
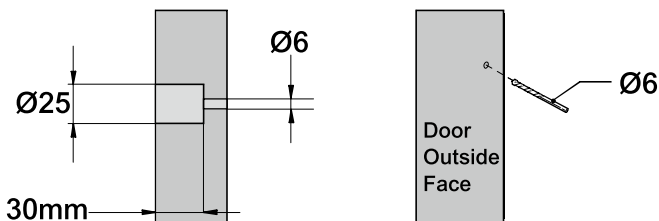
4.1 Move the barn door to the closed position; throw the lock bolt to mark the exact strike center position. Make sure this location is minimum 25mm to the edge of the door.

4.2 Using the strike center position as a guide, drill a pilot hole through the door with a $\varnothing 3$ mm bit from strike side. With the pilot hole as guide, use a 25mm diameter hole saw to drill a 30mm deep hole.

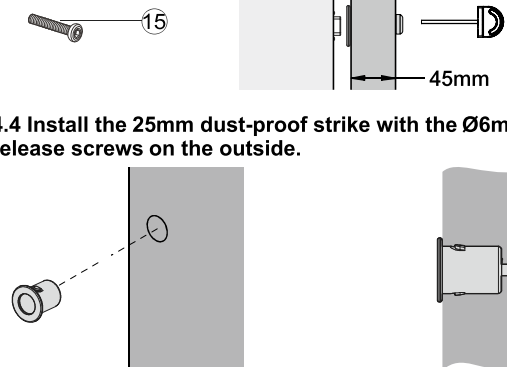
DO NOT drill through the door.



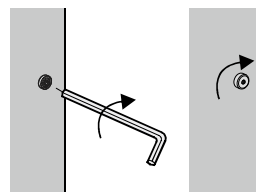
4.3 With the pilot hole as a guide, use a $\varnothing 6$ mm bit to drill a hole from the outside to connect with the strike bore hole.



4.4 Install the 25mm dust-proof strike with the $\varnothing 6$ mm release screws on the outside.



4.5 Install break-away screw and tighten with Allen wrench. DO NOT OVER TIGHTEN. Screw on decorative cap by hand.



4.6 Use release key (provided with lock set) to push through center hole on release to push lock bolt back and unlock door.

