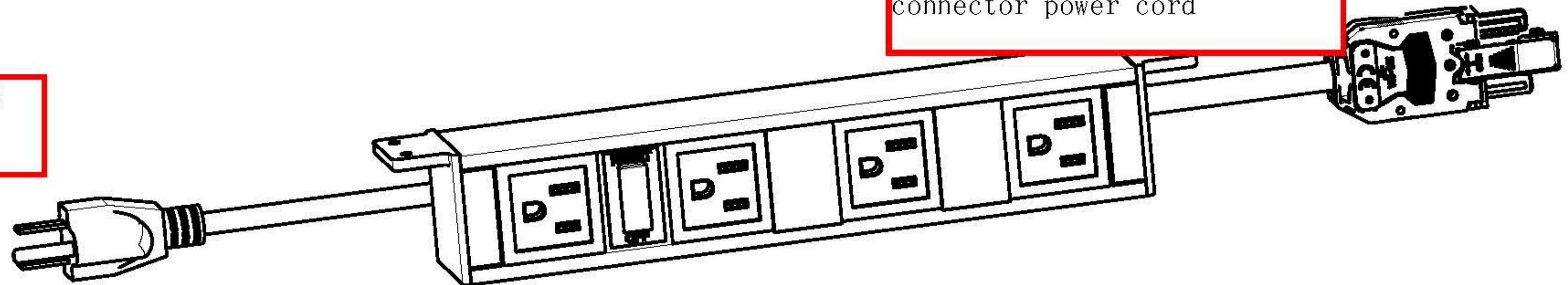


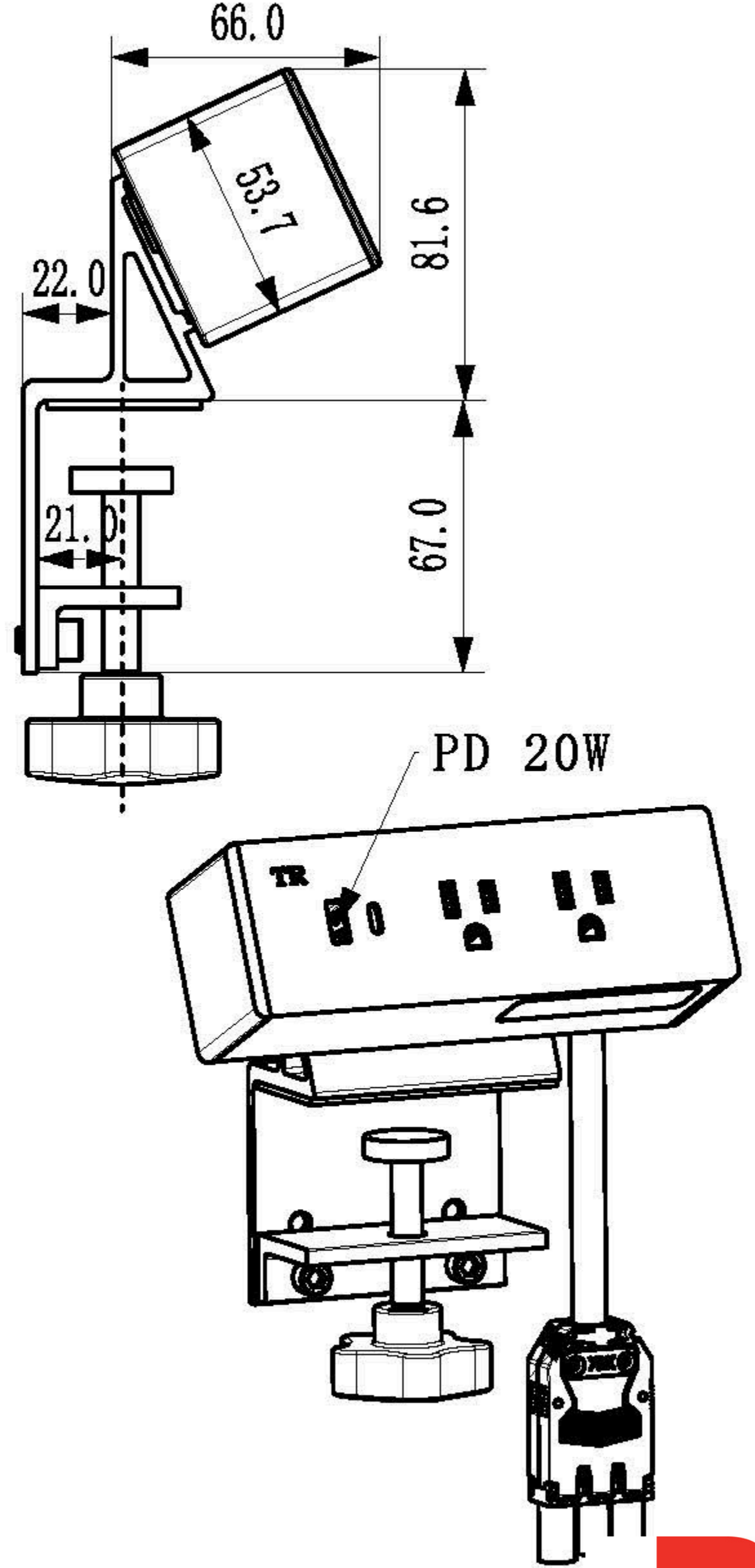
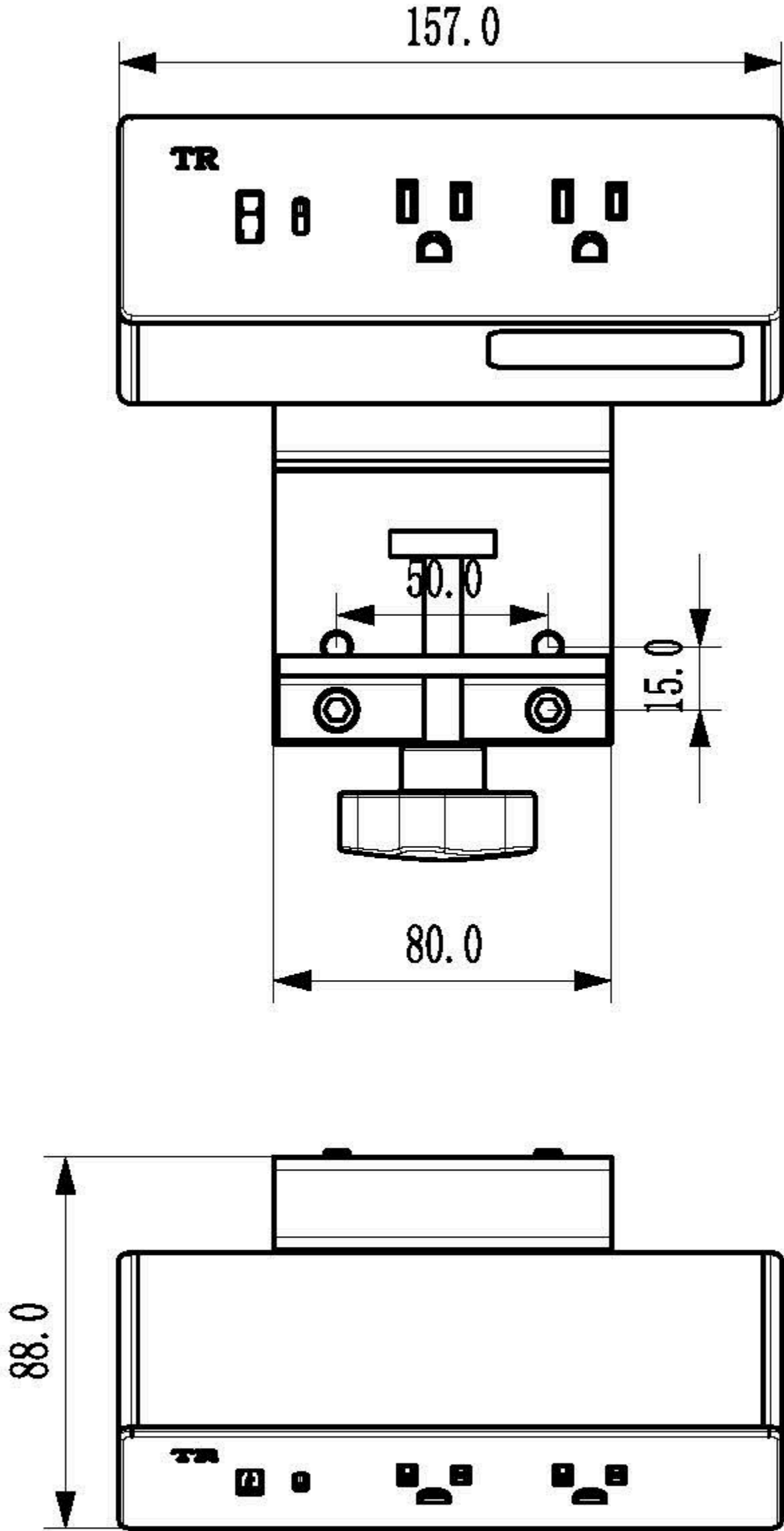
AWG14, 0.1±0.1m GST female connector power cord

AWG14, 1.8±0.1m US power cord



- Configuration:
- 4\* US power
  - 2\* USB charger ( PD20w)
  - 1\* switch
  - 1\* AWG14 1.8±0.1m US power cord
  - 1\* AWG14 0.1±0.1m GST female port power cord

# RQLCZ2xxx



- Configuration:  
2\* US power cord  
2\* USB charger (A+C PD20w)  
1\* AWG14 1.5m GST male port power cord

