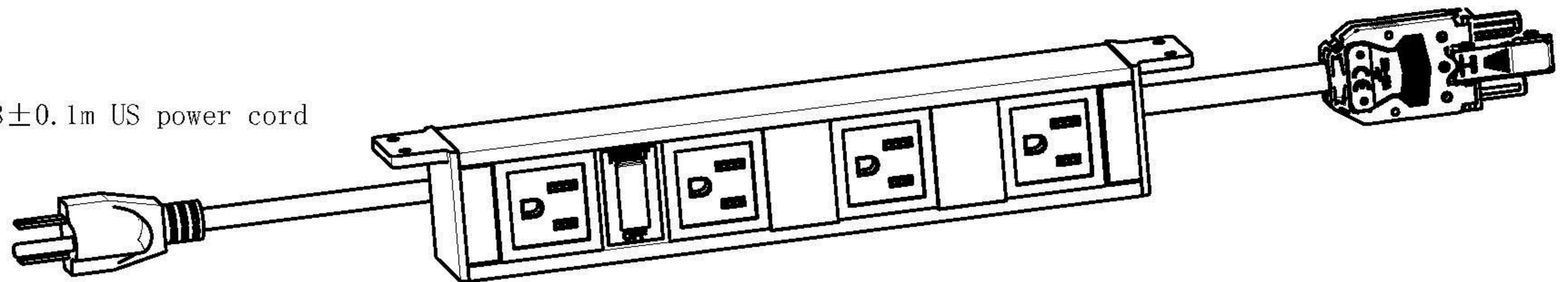
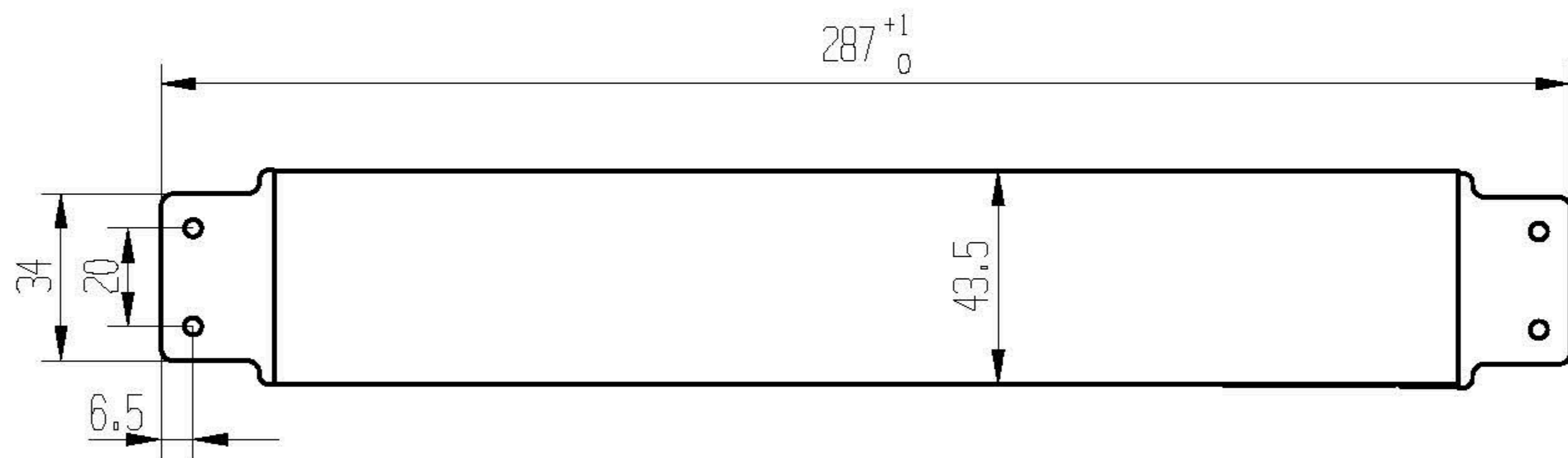
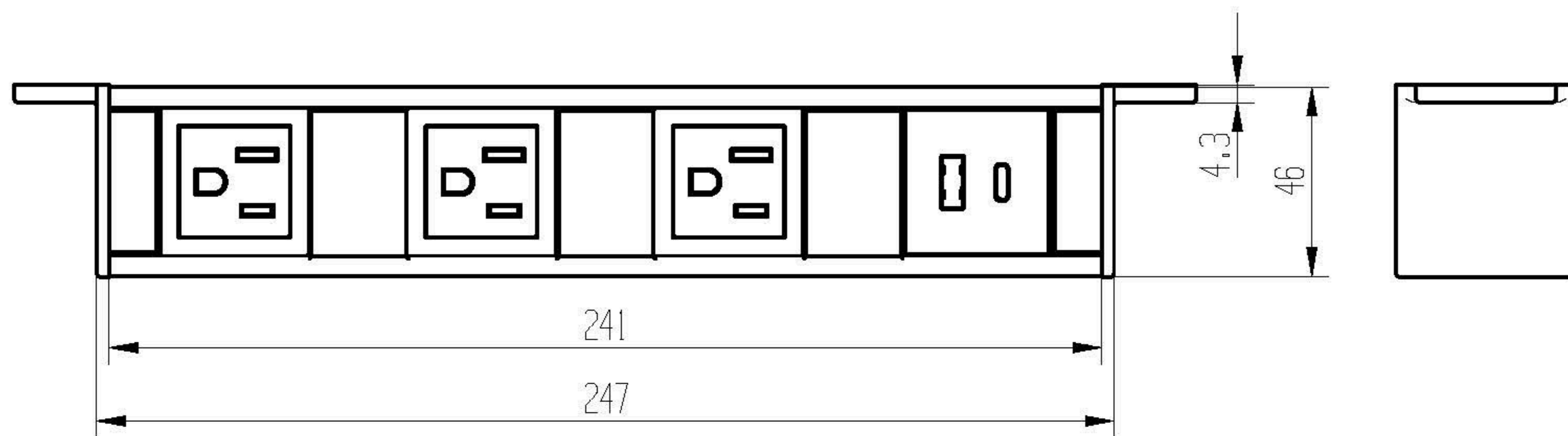


AWG14, 0.1±0.1m GST female connector US power cord

AWG14, 1.8±0.1m US power cord

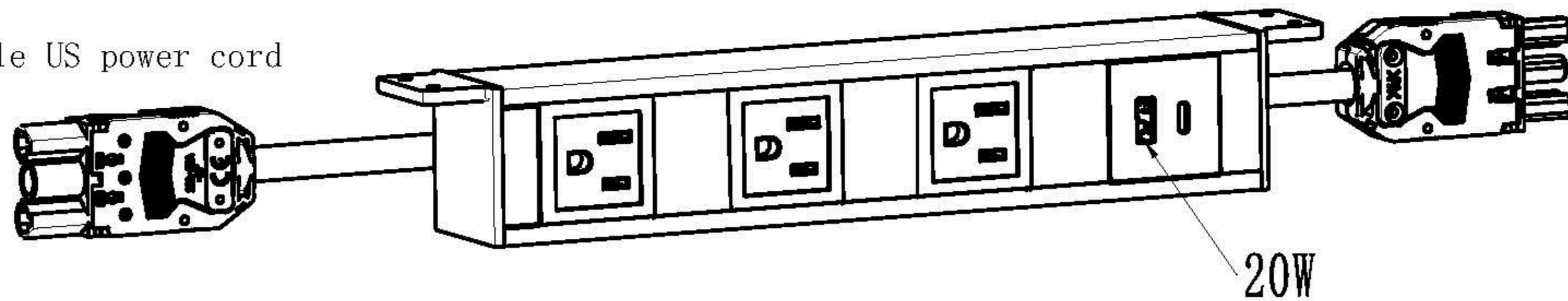


- configuration
- 4* US power
- 1* switch
- 1* AWG14 1.8m ±0.1m US power cord
- 1* AWG14 0.1±0.1m GST female port power cord



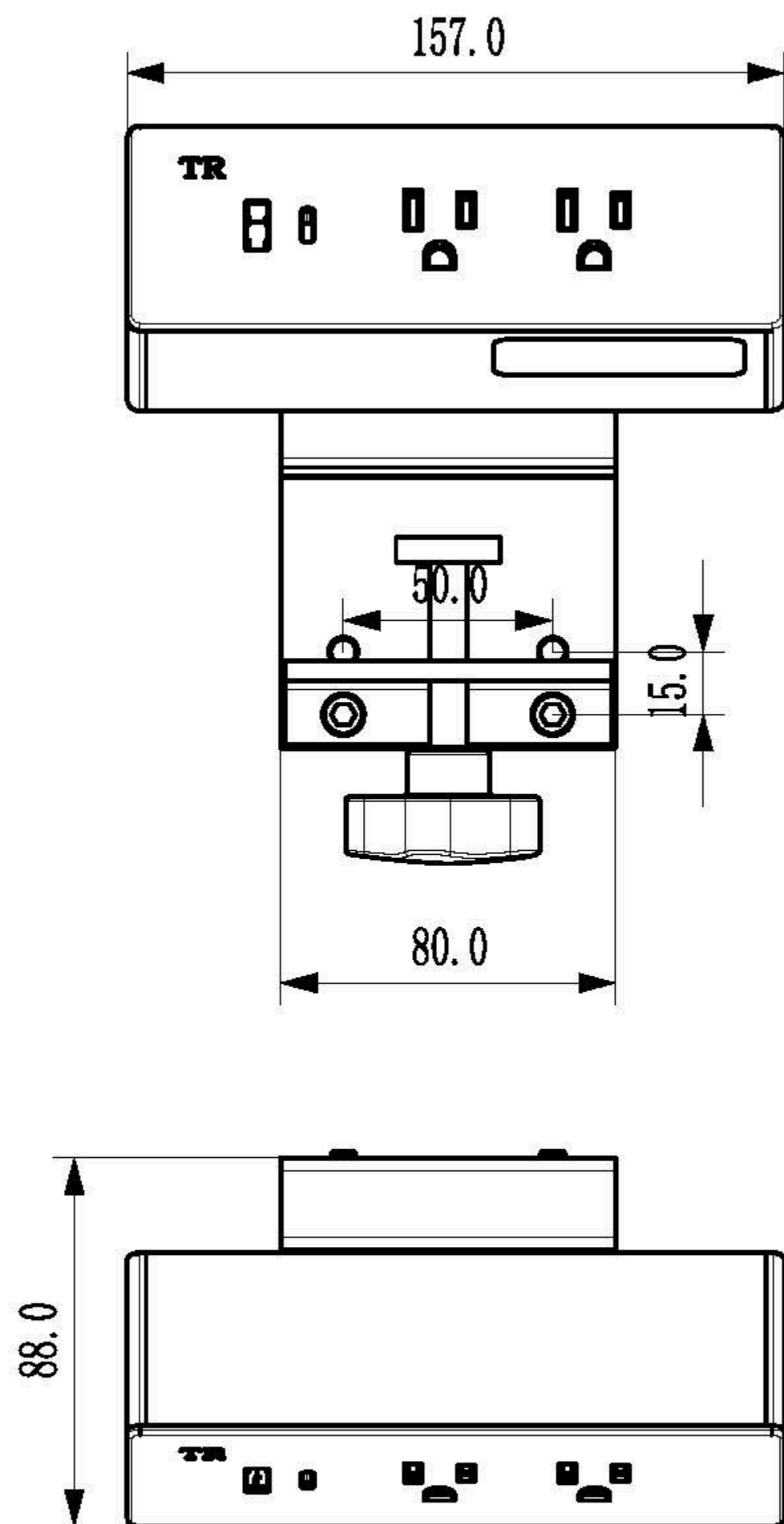
AWG, 0.1±0.1m GST female connector US power cord

AWG, 1.5±0.1m GST male US power cord

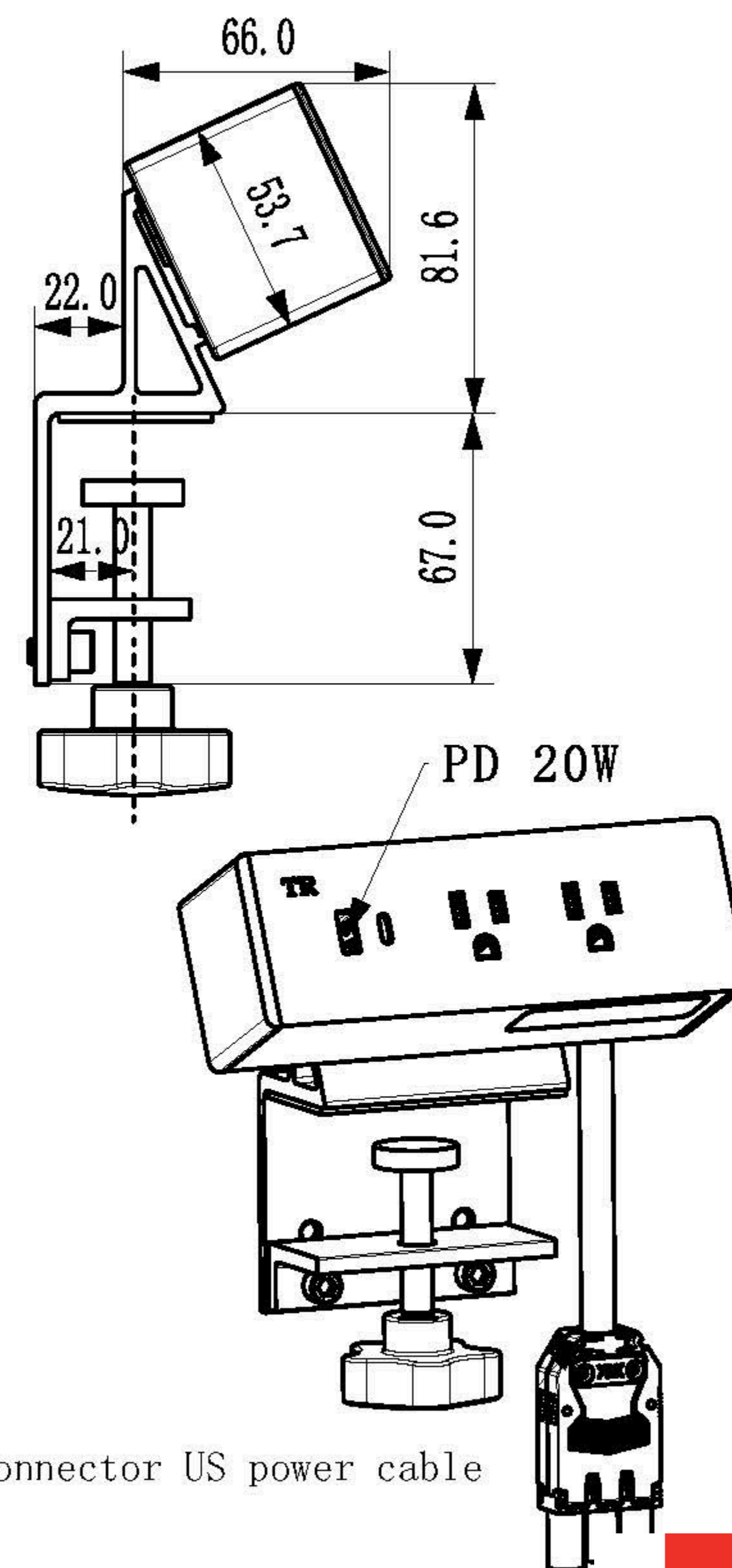


configuration

- 3* US power
- 2* USB charger (A+C PD20W)
- 1* AWG14, 1.5±0.1m GST male port power cord
- 1* AWG14, 0.1± 0.1m female port power cord



configuration
 2* US power
 2* USB charger(A+C PD20w)
 1* AWG14 1.5±0.1m GST male port power cord



AWG14, 1.5±0.1m GST male connector US power cable