



MELO

FLAP HINGE

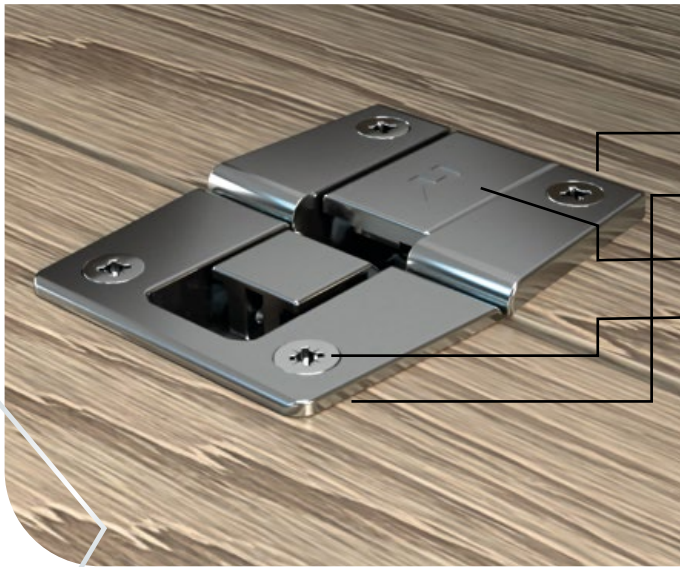



MADE IN ITALY



A unique piece of art, the Richelieu Melo flap hinge showcases sleek design and Italian craftsmanship.

Flap hinges open and close to lift up and drop down doors. Melo's unique trapezoidal shape allows the product to be discreet while enhancing the appearance of the cabinet. The brand name Melo is inspired by a renowned Italian artist, known as the pioneer of geometric abstraction in Europe.



INCLUDED

- Melo Flap Hinge - Cabinet Part
- Melo Flap Hinge - Door Part
- Cover Cap
- Screws

No.	Description	Finish
11126180	Melo Flap Hinge	Nickel
11128180	Adapters set (2 mm & 4 mm)	Nickel

ADJUSTMENTS

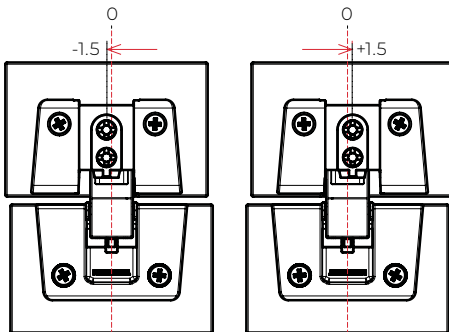
- Depth adjustment: 0 to 2 mm
- Lateral adjustment: 0 to 1 mm
- Vertical adjustment: 0 to 2 mm
- Standard drilling diameter: 26 mm
- Minimal depth: 15 mm

The Melo hinge offers the flexibility of installation on different thicknesses of doors and cabinets, ranging from 18 to 20 mm using the adapters available for this purpose.

No. 11128180



Lateral adjustment



In-depth adjustment

