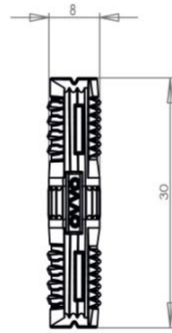


# Instructions

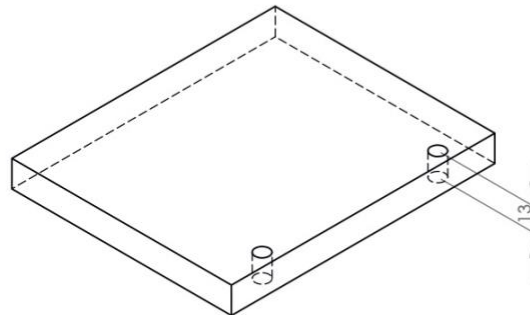
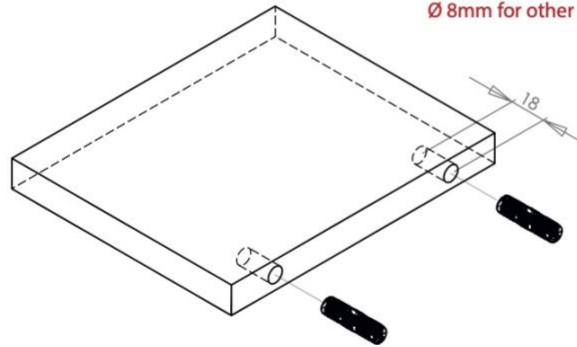


## Drilling



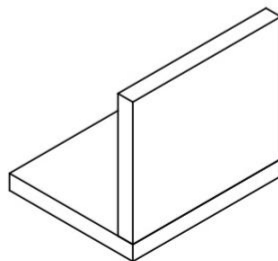
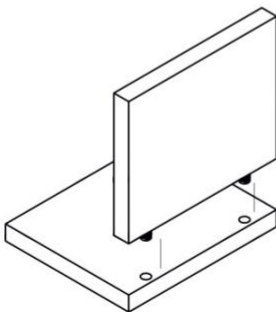
Recommend  $\text{\O}7.8\text{mm}$  on panel ends for MFC particle board

$\text{\O}8\text{mm}$  for other board types



$\text{\O}$  Always 8mm in the face for all board types

## Assembly



Note: It is not necessary to use glue but if additional strength is required for specific materials glue can be added on the end boring during dowel insertion process. The end result is still tools free assembly