

en	Original instructions - Router	6
fr	Notice d'utilisation d'origine - Défonceuse	20
es	Instrucciones de uso originales - Fresadora	35



Read all instructions before using
Lire toutes les instructions avant de démarrer les travaux.
Lea y comprende todas las instrucciones antes de usar.

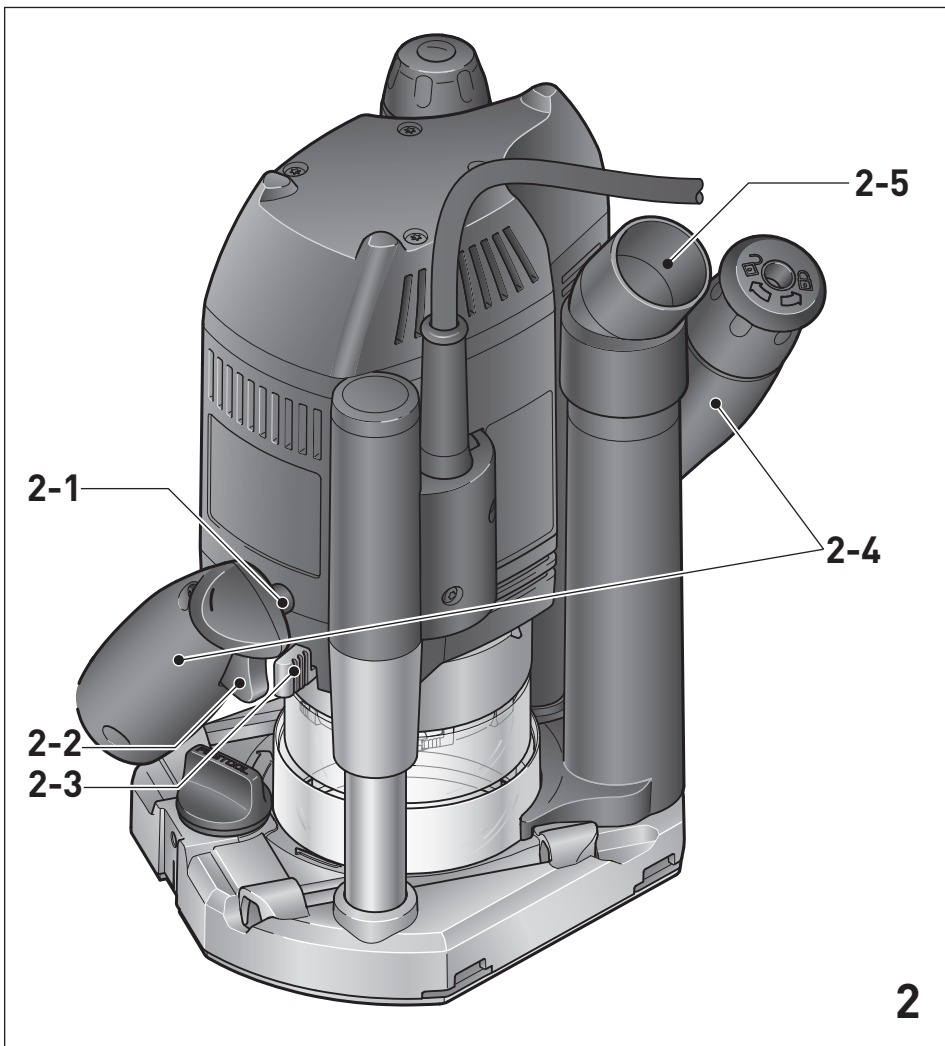
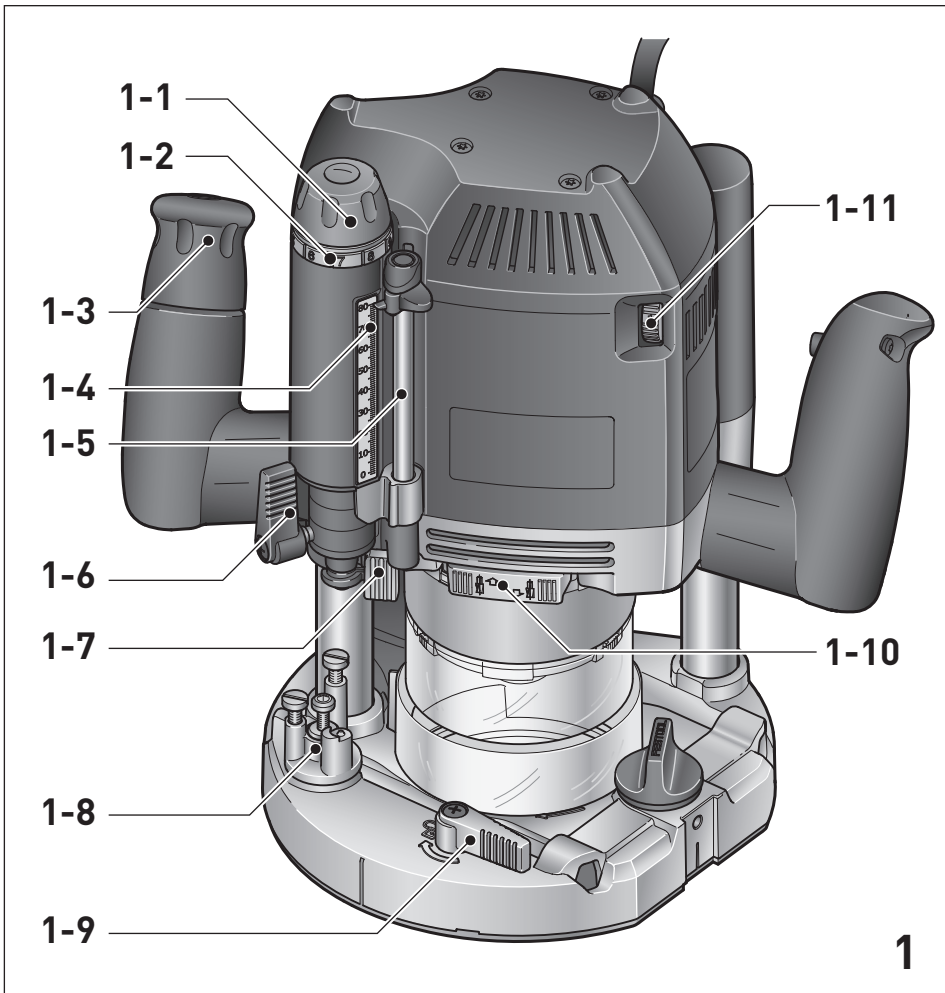


OF 2200 EB-F



Festool GmbH
Wertstraße 20
73240 Wendlingen
Germany
www.festoolusa.com








Contents

1	About this manual.....	6
2	Symbols.....	6
3	Safety warnings.....	6
4	Intended use.....	9
5	Technical data.....	9
6	Functional description.....	9
7	Commissioning.....	9
8	Settings.....	10
9	Working with the electric power tool.....	15
10	Service and maintenance.....	17
11	Accessories.....	18
12	Environment.....	18

1 About this manual


Save these instructions

It is important for you to read and understand this manual. The information it contains relates to protecting **your safety** and **preventing problems**. The symbols below are used to help you recognize this information.


	DANGER	Description of imminent hazard and failure to avoid hazard will result in death.
	WARNING	Description of hazard and possible resulting injuries or death.
	CAUTION	Description of hazard and possible resulting injuries.
	NOTICE	Description of possible damage of the device or its surroundings.

2 Symbols

	Warning of general danger
	Warning of electric shock
	Read the operating instructions and safety instructions.
	Wear ear protection.
	Wear protective gloves when changing tools and working with raw materials.
	Wear a dust mask.
	Wear protective goggles.

 Pull out the mains plug

 Safety class II

 Tip or advice

 Handling instruction

V Volt

A Ampere

Hz Hertz

W Watt

~ Alternating current

n_0 no load speed

rpm

min^{-1} revolutions per minute

tr/mn

kg Kilogram


lb. Pound

" Inch

mm Millimetre

3 Safety warnings

3.1 General power tool safety warnings

 **WARNING! Read all safety warnings, instructions, illustrations and specifications provided with this power tool.** Failure to follow all instructions listed below may result in electric shock, fire and/or serious injury.

Save all warnings and instructions for future reference.

The term "power tool" in the warnings refers to your mains-operated (corded) power tool or battery-operated (cordless) power tool.

1 WORK AREA SAFETY

- Keep work area clean and well lit.** Cluttered or dark areas invite accidents.
- Do not operate power tools in explosive atmospheres, such as in the presence of flammable liquids, gases or dust.** Power tools create sparks which may ignite the dust or fumes.
- Keep children and bystanders away while operating a power tool.** Distractions can cause you to lose control.

2 ELECTRICAL SAFETY

- a. **Power tool plugs must match the outlet. Never modify the plug in any way. Do not use any adapter plugs with earthed (grounded) power tools.** Unmodified plugs and matching outlets will reduce risk of electric shock.
- b. **Avoid body contact with earthed or grounded surfaces, such as pipes, radiators, ranges and refrigerators.** There is an increased risk of electric shock if your body is earthed or grounded.
- c. **Do not expose power tools to rain or wet conditions.** Water entering a power tool will increase the risk of electric shock.
- d. **Do not abuse the cord. Never use the cord for carrying, pulling or unplugging the power tool. Keep cord away from heat, oil, sharp edges or moving parts.** Damaged or entangled cords increase the risk of electric shock.
- e. **When operating a power tool outdoors, use an extension cord suitable for outdoor use.** Use of a cord suitable for outdoor use reduces the risk of electric shock.
- f. **If operating a power tool in a damp location is unavoidable, use a residual current device (RCD) protected supply.** Use of an RCD reduces the risk of electric shock.

3 PERSONAL SAFETY

- a. **Stay alert, watch what you are doing and use common sense when operating a power tool. Do not use a power tool while you are tired or under the influence of drugs, alcohol or medication.** A moment of inattention while operating power tools may result in serious personal injury.
- b. **Use personal protective equipment. Always wear eye protection.** Protective equipment such as a dust mask, non-skid safety shoes, hard hat or hearing protection used for appropriate conditions will reduce personal injuries.
- c. **Prevent unintentional starting. Ensure the switch is in the off-position before connecting to power source and/or battery pack, picking up or carrying the tool.** Carrying power tools with your finger on the switch or energising power tools that have the switch on invites accidents.
- d. **Remove any adjusting key or wrench before turning the power tool on.** A wrench or a key left attached to a rotating part of

the power tool may result in personal injury.

- e. **Do not overreach. Keep proper footing and balance at all times.** This enables better control of the power tool in unexpected situations.
- f. **Dress properly. Do not wear loose clothing or jewellery. Keep your hair and clothing away from moving parts.** Loose clothes, jewellery or long hair can be caught in moving parts.
- g. **If devices are provided for the connection of dust extraction and collection facilities, ensure these are connected and properly used.** Use of dust collection can reduce dust-related hazards.
- h. **Do not let familiarity gained from frequent use of tools allow you to become complacent and ignore tool safety principles.** A careless action can cause severe injury within a fraction of a second.

4 POWER TOOL USE AND CARE

- a. **Do not force the power tool. Use the correct power tool for your application.** The correct power tool will do the job better and safer at the rate for which it was designed.
- b. **Do not use the power tool if the switch does not turn it on and off.** Any power tool that cannot be controlled with the switch is dangerous and must be repaired.
- c. **Disconnect the plug from the power source and/or remove the battery pack, if detachable, from the power tool before making any adjustments, changing accessories, or storing power tools.** Such preventive safety measures reduce the risk of starting the power tool accidentally.
- d. **Store idle power tools out of the reach of children and do not allow persons unfamiliar with the power tool or these instructions to operate the power tool.** Power tools are dangerous in the hands of untrained users.
- e. **Maintain power tools and accessories. Check for misalignment or binding of moving parts, breakage of parts and any other condition that may affect the power tool's operation. If damaged, have the power tool repaired before use.** Many accidents are caused by poorly maintained power tools.
- f. **Keep cutting tools sharp and clean.** Properly maintained cutting tools with sharp

cutting edges are less likely to bind and are easier to control.

- g. **Use the power tool, accessories and tool bits etc. in accordance with these instructions, taking into account the working conditions and the work to be performed.** Use of the power tool for operations different from those intended could result in a hazardous situation.
- h. **Keep handles and grasping surfaces dry, clean and free from oil and grease.** Slippery handles and grasping surfaces do not allow for safe handling and control of the tool in unexpected situations.

5 SERVICE

- a. **Have your power tool repaired by qualified specialists only and always use original spare parts.** This ensures that the safety of the power tool is maintained.
- b. **Only use original parts for repairs and maintenance.** The use of incompatible accessories or spare parts can result in electric shocks or other injuries.

3.2 Machine-specific safety notices

- **Hold the power tool by insulated gripping surfaces only, because the cutter may contact its own cord.** Cutting a "live" wire may make exposed metal parts of the power tool "live" and could give the operator an electric shock.
- **Use clamps or another practical way to secure and support the workpiece to a stable platform.** Holding the work by your hand or against the body leaves it unstable and may lead to loss of control.
- **Only cutters provided by Festool for this purpose may be mounted on the power tool.** The use of other cutters is prohibited due to the increased risk of injury.
- **The maximum rotational speed specified on the tool must not be exceeded or the rotational speed range must be observed.** Accessories that rotate faster than the permissible level can rupture.
- **Wait until the power tool has come to a complete halt before placing it down.** The insertion tool can get caught and lead to a loss of control of the power tool.
- In the case of materials to be processed which can become statically charged or lead to static charging, a dissipative overall system consisting of an antistatic suction

hose (AS) and extraction mobile must be used.

- Do not clamp tools with an unsuitable shank diameter in the clamping collet.
- Only use tools that meet standard EN 847-1. All Festool routing tools fulfil these requirements.
- Ensure that the router bit is seated firmly and that it runs perfectly.
- The clamping collet and locking nut must not show any signs of damage
- Do not use cracked or deformed router bits.



Wear suitable personal protective equipment: Ear protection, protective goggles, dust mask for work that generates dust, protective gloves for working with rough materials and for changing tools.

3.3 Sawing aluminium

When sawing aluminium, the following measures must be taken for safety reasons:

- Install an upstream residual-current circuit breaker (RCD, PRCD).
- Connect the power tool to a suitable dust extractor with an antistatic suction hose.
- Regularly clean dust deposits from the motor housing on the power tool.

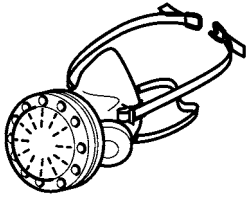


- Wear protective goggles.

3.4 Health hazard by dust

WARNING! Various dust created by power sanding, sawing, grinding, drilling and other construction activities contains chemicals known (to the State of California) to cause cancer, birth defects or other reproductive harm. Some examples of these chemicals are:

- lead from lead-based paints,
- crystalline silica from bricks and cement and other masonry products, and
- arsenic and chromium from chemically treated lumber.



The risk from these exposures varies, depending on how often you do this type of work. To reduce your exposure to these chemicals: work in a well ventilated

area, and work with approved safety equipment, such as dust masks that are specially designed to filter out microscopic particles. Wash hands after handling.



WARNING

TO REDUCE THE RISK OF INJURY, USER MUST READ INSTRUCTION MANUAL.

4 Intended use

The router is designed for routing wood, plastics and wood-based materials.

If the cutters are used for the intended purpose outlined in the Festool Sales, they may also be used to machine aluminium and plasterboard. This power tool may only be used by experts or instructed persons.



The user is liable for improper or non-intended use.

5 Technical data

Router	OF 2200 EB-F
Rated current	15 A
Speed	10000–22000 min ⁻¹
Max. speed (no-load)	23000 min ⁻¹
Quick depth adjustment	3-5/32" (80 mm)
Fine depth adjustment	25/32" (20 mm)
Drive shaft connecting thread	M22 x 1.0
Cutter diameter	Max. 3-1/2" (89 mm)
Weight as per EPTA procedure 01:2014:	18.3 lbs (8.3 kg)

6 Functional description

- [1-1] Adjusting wheel fine adjuster
- [1-2] Fine adjuster scale
- [1-3] Height adjustment rotary knob
- [1-4] Depth stop scale
- [1-5] Depth stop with indicator

- [1-6] Depth stop clamp lever
- [1-7] Eccentric for coupling the depth stop and the stepped stop
- [1-8] Stepped stop
- [1-9] Base runner replacement operating lever
- [1-10] Spindle stop
- [1-11] Speed adjusting wheel
- [2-1] On/off switch locking button
- [2-2] On/off switch
- [2-3] Protective guard locking lever
- [2-4] Handles
- [2-5] Extractor stub

The pictures for the functional description are on a fold-out page at the beginning of the instruction manual. While reading the manual you can fold out the page for comparison and quick reference.

Accessories shown or described are not always included in the scope of delivery.

7 Commissioning



WARNING

Unauthorised voltage or frequency.

Risk of accidents

- ▶ The mains voltage and the frequency of the power source must correspond to the specifications on the name plate.
- ▶ In North America, only Festool machines with the voltage specifications 120 V/60 Hz may be used.

7.1 Extension Cord

If an extension cord is required, it must have sufficient cross-section to prevent an excessive drop in voltage or overheating. An excessive drop in voltage reduces the output and can lead to failure of the motor. The table below shows you the correct cord diameter as a function of the cord length for this tool.

Cord Size in A.W.G

Tool's Ampere Rating	Cord Length in Feet			
	25	50	100	150
3-6	18	16	16	14
6-8	18	16	14	12


Tool`s Ampere Rating	Cord Length in Feet			
8-10	18	16	14	12
10-12	16	16	14	12
12-16	14	12	-	-

Wire Sizes in mm²

Tool`s Ampere Rating	Cord Length in Meters			
	15	30	60	120
3-6	0.75	0.75	1.5	2.5
6-8	0.75	1.0	2.5	4.0
8-10	0.75	1.0	2.5	4.0
10-12	1.0	2.5	4.0	-
12-16	-	-	-	-

Use only NRTL listed extension cords.

Never use two extension cords together. Instead, use one long one.

-  The lower the AWG number, the stronger the cord.

7.2 Switching on/off

The switch **[2-2]** is an on/off switch (press = ON, release = OFF).

The on/off switch with the locking button **[2-1]** can be engaged to operate in continuous mode. Press the on/off switch again to release the lock.

8 Settings



WARNING

Risk of injury, electric shock

- ▶ Always disconnect the mains plug from the socket before performing any work on the machine.

8.1 Electronics

Speed control

You can continuously adjust the speed within the speed range using the adjusting wheel **[1-11]** (see "Technical data").

This enables you to optimise the cutting speed to suit the respective material.

Material	Cutter diameter			Recommended cutting material
	3/8" – 1-3/16"	1-3/16" – 2"	2" – 3-1/2"	
	10-30 mm	30-50 mm	50-89 mm	

Adjusting wheel setting

Hard-wood	6-4	5-3	3-1	HW (HSS)
Soft wood	6-5	6-4	5-3	HSS (HW)
Coated chip-board	6-5	6-4	4-2	HW
Plastic	6-4	6-3	3-1	HW
Aluminium	3-1	3-1	2-1	HSS (HW)
Plaster-board	2-1	1	1	HW

Temperature cut-out

The power supply is restricted and the speed reduced if the motor exceeds a certain temperature. The power tool continues operating at reduced power to allow the ventilator to cool the motor quickly. The power tool starts up again automatically once the motor has cooled sufficiently.

Restart protection

The built-in restart protection prevents the power tool from starting up again automatically if the power is disconnected when the on/off switch is pressed. In this case, the power tool must be switched off and then switched back on again.

Due to the built-in restart protection, the power tool cannot be switched on and off via an external switch module.

Brake

The OF 2200 EB-F has an electronic brake which brings the spindle with tool to a standstill within approx. 2 seconds of the tool being switched off.

8.2 Changing tools



CAUTION

Risk of injury from hot and sharp insertion tool

- ▶ Do not use any blunt or faulty insertion tools.
- ▶ Wear protective gloves when handling an insertion tool.

To change tools, place the power tool on its side.

Only use the spindle stop [3-1] when the power tool is switched off.

Inserting the tool

- ▶ Insert the routing tool ([3-4] and [3A-1]) into the open collet [3A-2] as far as possible or at least up to the mark \surd on the router shank.

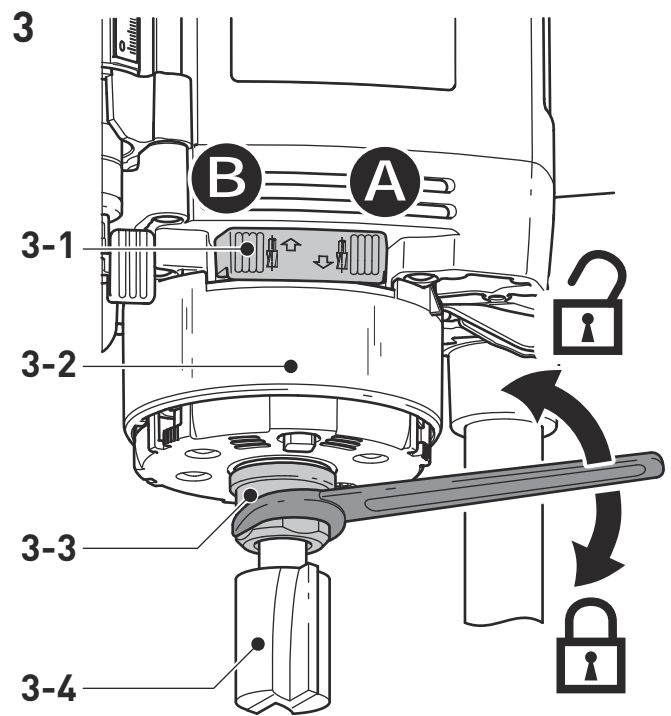
i If the collet [3A-2] cannot be seen due to the union nut [3A-3], the routing tool must be inserted into the collet to the extent that the mark \surd no longer projects beyond the union nut.

- ▶ Press the switch for the spindle stop [3-1] on the left-hand side [B].
- ▶ Tighten the union nut [3-3] using an open ended spanner (WAF 24).

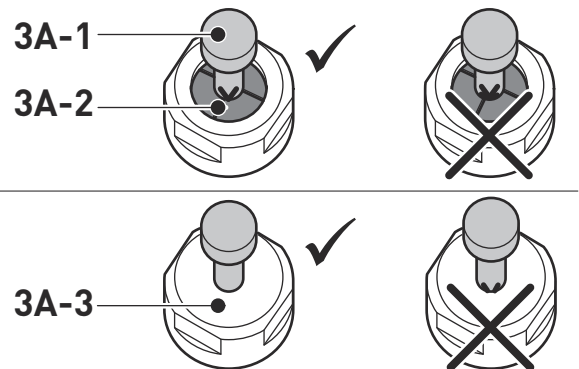
i The spindle stop only jams the motor spindle in one direction of rotation. Therefore, there is no need to use a spanner for tightening and loosening union nuts. Instead, a ratchet can be moved backwards and forwards.

Removing the tool

- ▶ Push the chip guard [3-2] upwards until it engages.
- ▶ Press the switch for the spindle stop [3-1] on the right-hand side [A].
- ▶ Undo the union nut [3-3] using an open ended spanner (WAF 24) until you can feel resistance. Overcome the resistance by continuing to turn the open ended spanner.
- ▶ Remove the router.



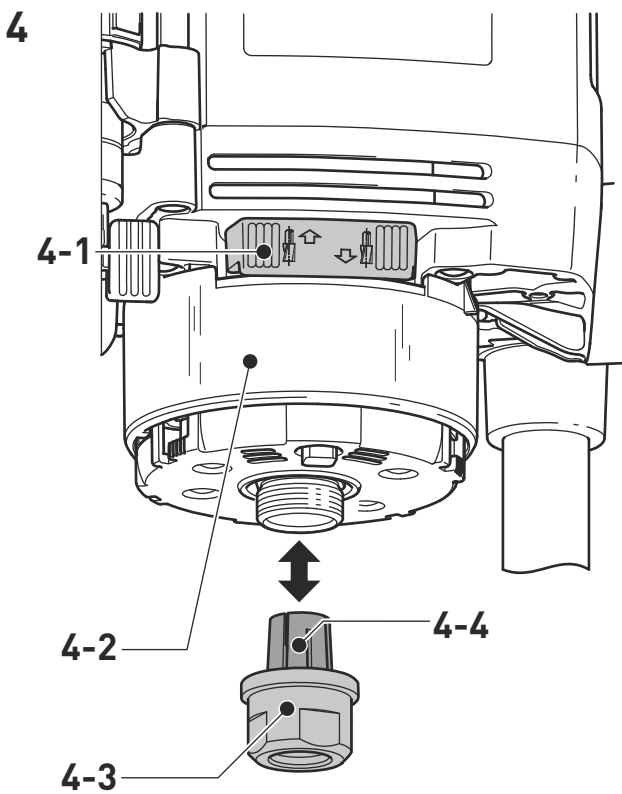
3A



8.3 Changing the collets

Collets are available for the following shaft diameters: 1/4" (6.35 mm); 5/16" (8.0 mm); 3/8" (9.53 mm); 1/2" (12.7 mm).

- ▶ Push the chip guard [4-2] upwards until it engages.
- ▶ Press the switch for the spindle stop [4-1] on the right-hand side [A].
- ▶ Completely unscrew the union nut [4-3] and remove it together with the collet [4-4]. Never separate the union nut from the collet as these form a single unit.
- ▶ Only insert a new collet into the spindle if a union nut is fitted and engaged.
- ▶ Gently screw in the union nut. **Do not tighten the nut if no cutter is inserted.**



8.4 Setting the routing depth

The routing depth is set in two steps:

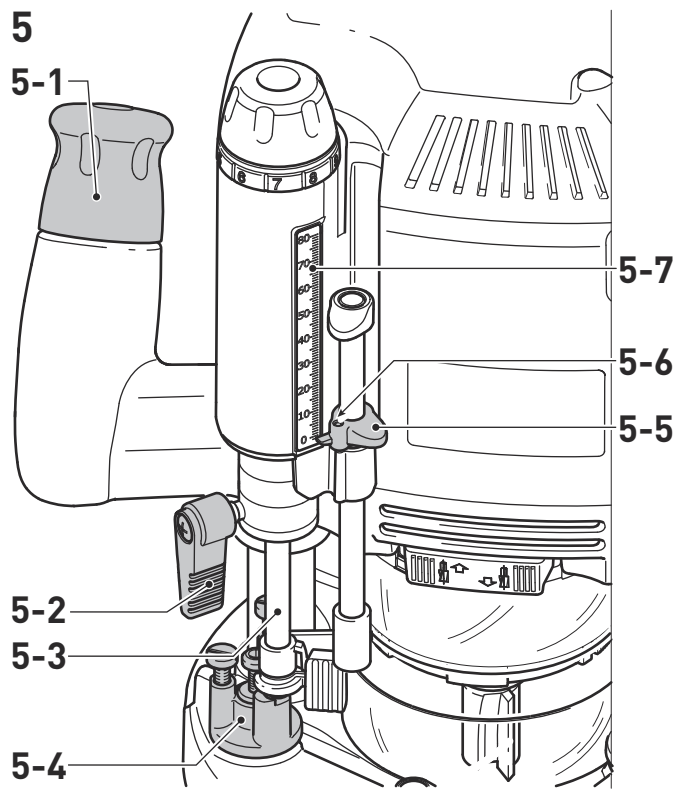
Setting the zero point

- ▶ Release the clamp lever [5-2] so that the depth stop [5-3] can move freely.
- ▶ Position the router on a level surface (reference surface). Open the rotary knob [5-1] and push the power tool downwards until the cutter sits on the surface.
- ▶ Clamp the power tool in this position by closing the rotary knob [5-1].
- ▶ Press the depth stop [5-3] against one of the three fixed stops of the rotatable stepped stop [5-4].
- ▶ Push the indicator [5-5] downwards so that it points to 0" (0 mm) on the scale [5-7].

i If the zero position is incorrect, this can be corrected using the screw [5-6] on the indicator.

A screwdriver can be used to individually adjust the height of two of the three fixed stops [7] (A and B).

i Fixed stop C has a ridge for rough routing – see section 8.5.



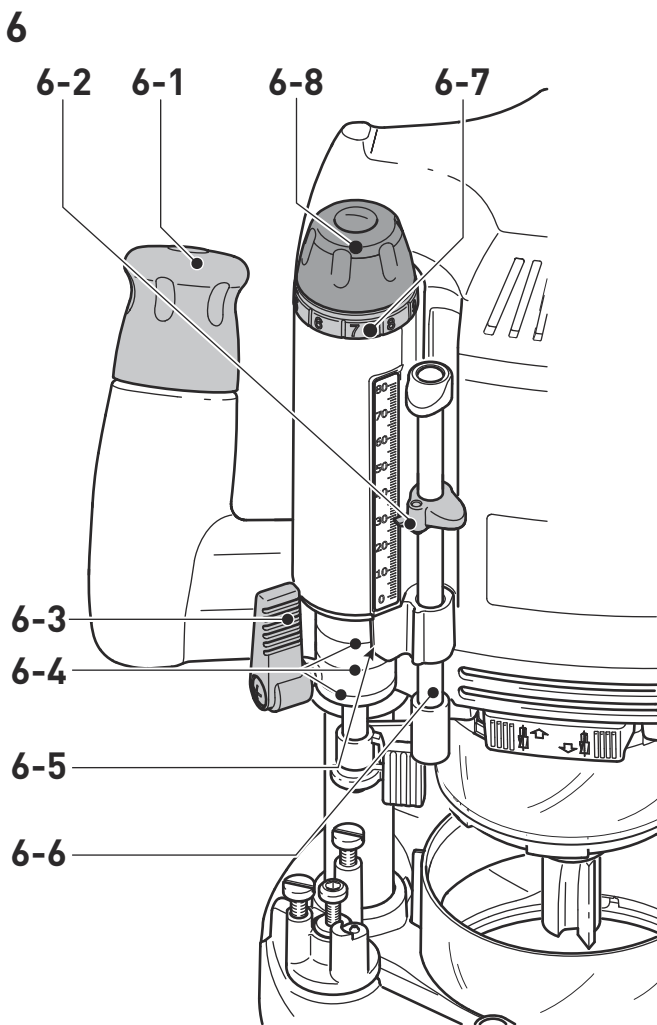
Specifying the routing depth

- ▶ Pull the depth stop [6-6] upwards until the indicator [6-2] points to the required routing depth.
 - ▶ Clamp the depth stop in this position using the clamp lever [6-3].
 - ▶ Open the rotary knob [6-1].
- The power tool is now in its initial position.*
- ▶ If necessary, readjust the routing depth by turning the adjusting wheel [6-8].

i Turning the adjusting wheel by a mark changes the routing depth by 0.004" (0.1 mm). A full rotation changes the routing depth by 1/16" (1 mm).

The scale ring [6-7] can be turned separately so that it can be set to zero.

The three marks [6-4] on the edge [6-5] indicate the maximum adjustment range of the adjusting wheel (3/4" (20 mm)) and the middle position.



8.5 Rough/Precision routing

Fixed stop C has two stop planes with a height difference of 1/16" (2 mm). This allows users to route workpieces with a routing depth set using stop C in two steps:

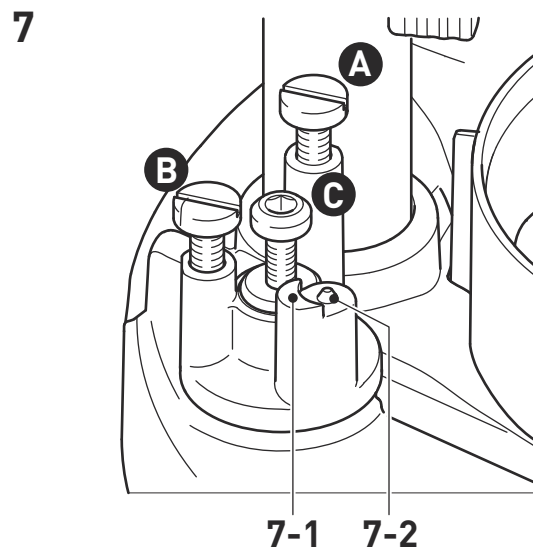
Rough routing

- ▶ Lower the power tool to stop plane [7-1].

Finishing routing

- ▶ Lower the power tool to stop plane [7-2].

i Routing work can be performed as quickly as with a large routing depth while still producing a good surface quality. The final routing depth is determined by the stop plane setting [7-2].



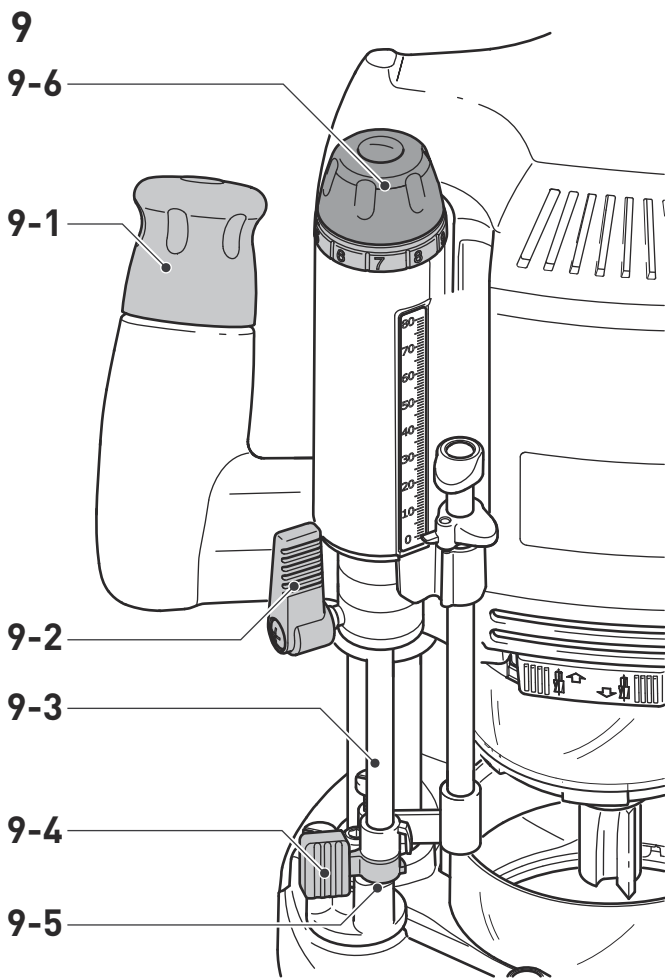
8.6 Fine adjustment for edge trimming

The power tool has a special fine adjuster for using cutters with a ball bearing guide. For example, this makes it quick and easy to set a precise transition when rounding edges without a ridge, see figure [8].



Setting a precise routing depth

- ▶ First of all, roughly set the routing depth.
 - ▶ Carry out a test rout.
 - ▶ Open the clamping lever [9-2].
 - ▶ Press the depth stop [9-3] against fixed stop C [9-5].
 - ▶ Clamp the depth stop to the turret stop using the eccentric [9-4] (turn clockwise).
 - ▶ Close the clamping lever [9-2].
 - ▶ Open the rotary knob [9-1].
 - ▶ Precisely adjust the routing depth by turning the adjusting wheel [9-6].
- i** It is possible to adjust the routing depth in both directions thanks to the coupling between the depth stop and the turret stop.
- ▶ Close the rotary knob [9-1].
 - ▶ Open the eccentric [9-4] (turn anticlockwise).
 - ▶ If necessary, carry out additional test routs and adjust the settings.



8.7 Dust extraction



WARNING

Health hazard posed by dust

- ▶ Always work with an extractor.
- ▶ Only work with a fully functional chip guard [10-2].
- ▶ Always wear a dust mask when performing work that generates dust.
- ▶ Comply with national regulations.

A Festool dust extractor with an extractor hose diameter of 1-7/16" (36 mm) or 1-1/16" (27 mm) (1-7/16" (36 mm) recommended due to the reduced risk of clogging) can be connected to the extractor connector [10-4].

Insert the extractor connector [10-4] as in image [10]. The extractor connector can be turned in the area of [10-3].

CAUTION! If an anti-static suction hose is not used, static charge may occur. The user may receive an electric shock and the electronics of the power tool may be damaged.

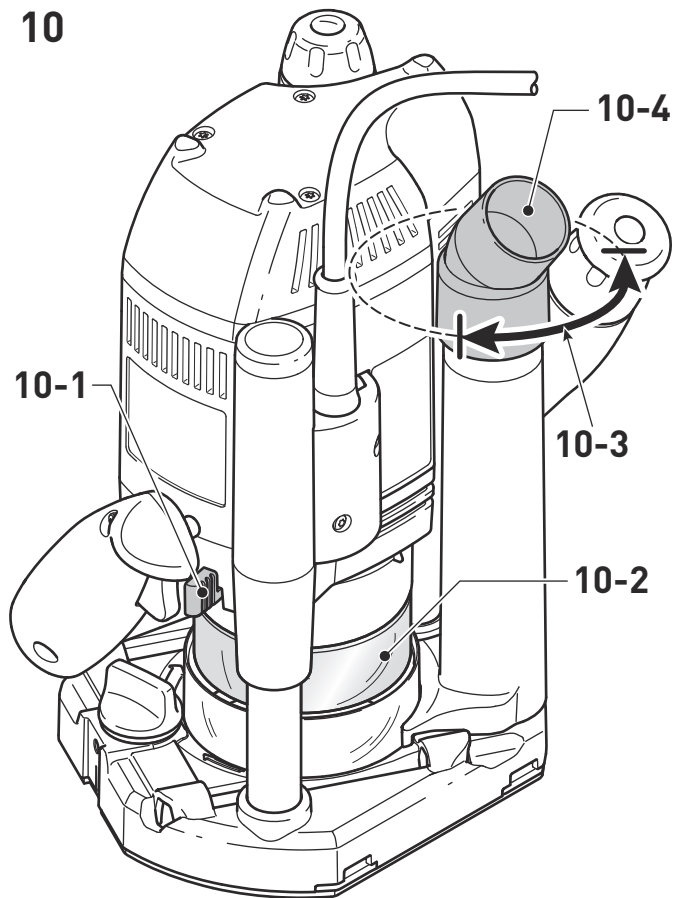
Chip guard

The chip guard [10-2] can be engaged in an upper position, e.g. for cutter changes.

- ▶ Slide the chip guard upwards until it engages or push the power tool downwards until it reaches the limit stop.

To improve the efficiency of the dust extraction, lower the chip guard while working.

- ▶ Press the lever [10-1] in the direction of the handle.

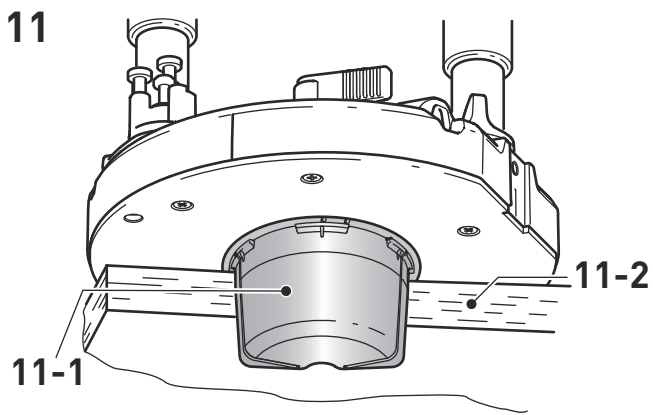


Chip deflector KSF-0F

The chip deflector KSF-0F [11-1] (available as an accessory depending on the model) can improve the efficiency of the dust extraction system when edge routing. The maximum cutter diameter is 3" (78 mm).

The chip deflector is installed in the same way as inserting the copying ring, see section 9.3.

A hacksaw can be used to cut along the grooves [11-2] of the guard and therefore make it smaller. The chip deflector can then be used for inner radii down to a minimum radius of 2" (52 mm).



9 Working with the electric power tool



When working on the machine, observe all of the safety warnings that are listed at the start as well as the following rules:

- Only guide the power tool towards the workpiece when it is switched on.
- Ensure that the clamping lever [1-6] is closed and the eccentric [1-7] is open before starting work.
- Always secure the workpiece in such a way that it cannot move during machining.
- When working, always hold the power tool **with both hands** on the handles [2-4]. This is a prerequisite for precise work and is essential for plunge-cutting.
- When routing, ensure that the power tool's feed direction is the same as the tool's cutting direction, see figure [15].

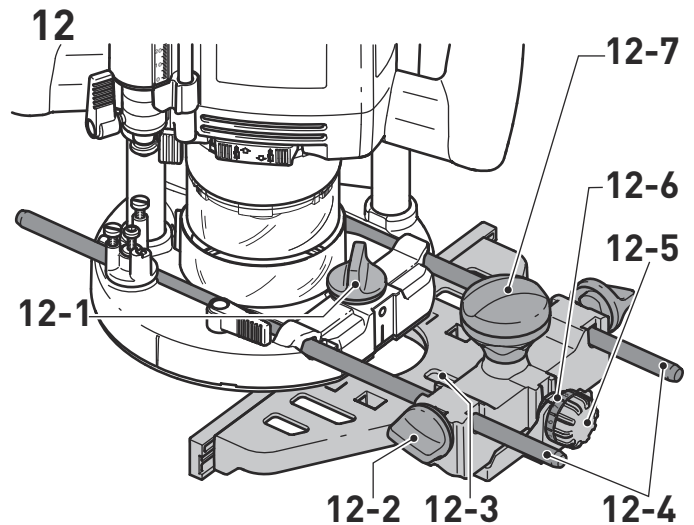
9.1 Routing

- ▶ Set the required routing depth, see section 8.4.
- ▶ Switch on the power tool.
- ▶ Open the rotary knob [1-3].
- ▶ Push the power tool downwards until it reaches the limit stop.
- ▶ Clamp the power tool in this position by closing the rotary knob [1-3].
- ▶ Plunge into the workpiece slowly and evenly.
- ▶ Perform the routing work.
- ▶ Open the rotary knob [1-3].
- ▶ Slowly move the power tool upwards until it reaches the limit stop (lift it out).
- ▶ Switch off the power tool.

9.2 Routing with a parallel side fence

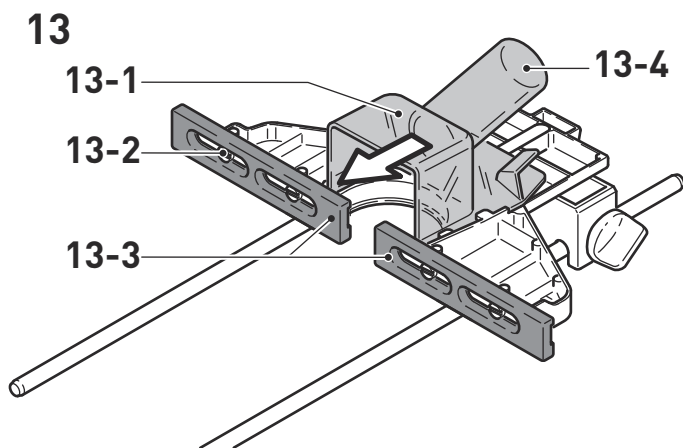
The parallel side fence (available as an accessory depending on the model) is used in parallel with the workpiece edge for routing work.

- ▶ Clamp the two guide rods [12-4] to the parallel side fence using the two rotary knobs [12-2].
- ▶ Insert the guide rods into the grooves of the router table to the required extent and clamp them using the rotary knob [12-1].



Fine adjustment

- ▶ Open the rotary knob [12-7] to make a fine adjustment using the adjusting wheel [12-5].
The scale ring [12-6] has a 0.004" (0.1 mm) scale for this purpose. If the adjusting wheel is held, the scale ring can be turned separately so that it can be set to zero. The scale [12-3] displays the adjustment in millimetres.
- ▶ Close the rotary knob [12-7] after making a fine adjustment.
- ▶ Set the two guidance jaws [13-3] so that they are approx. 7/32" (5 mm) from the cutter. To do this, loosen the screws [13-2] and retighten them after making an adjustment.
- ▶ For edge routing only: Push the dust-extraction attachment [13-1] from behind until it engages on the parallel side fence and connect an extractor hose with a diameter of 1-1/16" (27 mm) or 1-7/16" (36 mm) to the extractor connector [13-4]. Alternatively, leave the extractor hose on the power tool's extractor connector.



9.3 Copy routing

A router with a fitted copying ring (available as an accessory) should be used for routing work with templates.

- i** The copying rings can be used with the base runner supplied as standard. A special base runner for workpiece support surface improvement is available as an accessory.

Inserting the copying ring



CAUTION

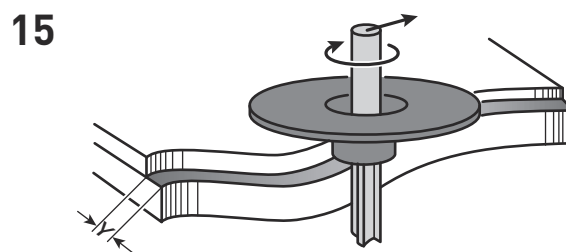
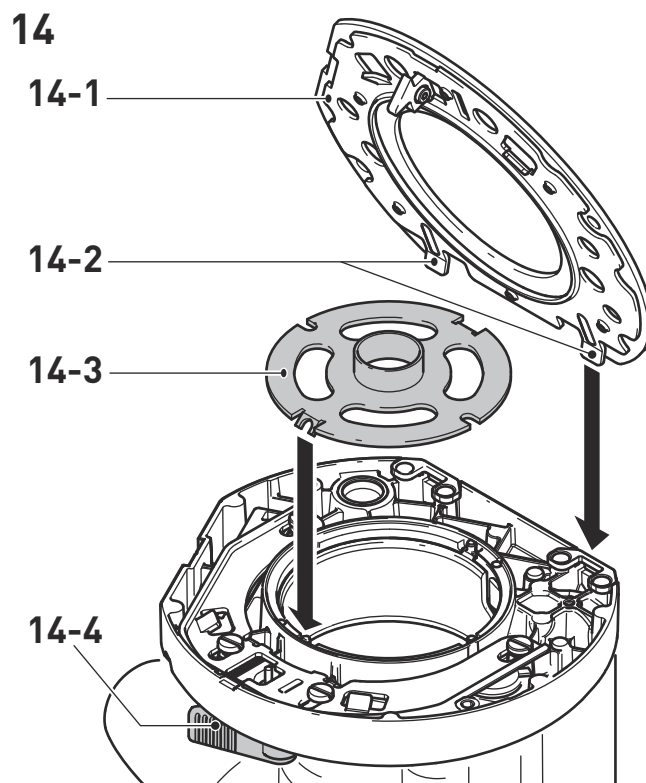
Risk of accidents

Using a cutter that is too large may damage the copying ring and cause accidents.

- ▶ Ensure that the cutter being used fits through the opening of the copying ring.
- ▶ Lay the power tool on its side on a stable base.
- ▶ Release the lever **[14-4]**.
- ▶ Remove the base runner **[14-1]**.
- ▶ Release the lever **[14-4]** again.
- ▶ Insert the copying ring **[14-3]** into the router table in the correct position.
- ▶ Insert the base runner with the tabs **[14-2]** into the router table.
- ▶ Push the base runner into the router table until it engages.

Excess Y (figure **[15]**) of the workpiece to the template is calculated as follows:

$$Y = (\text{copying ring diameter} - \text{cutter diameter})/2$$



9.4 Edge trimming

The cutters with a ball bearing guide are inserted into the power tool for edge trimming. The power tool is guided in such a way that the ball bearing guide rolls on the workpiece.

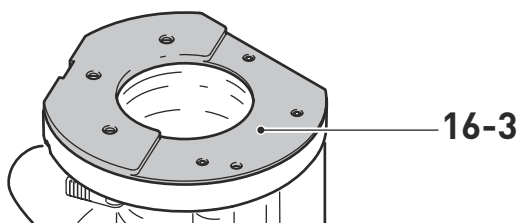
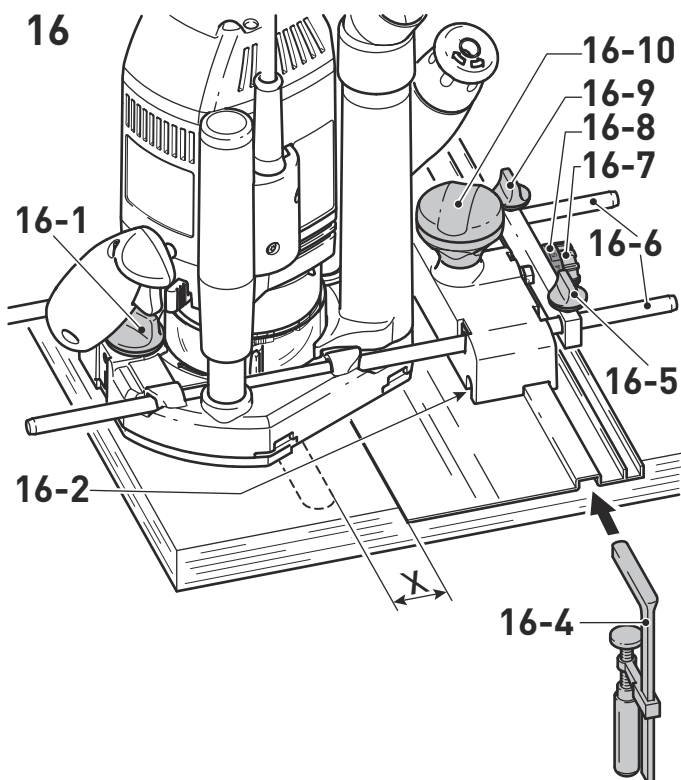
When edge trimming, always use the chip deflector KSF-OF to improve dust extraction.

9.5 Routing with the FS guide system

The guide system (available as an accessory depending on the model) makes it easier to route straight grooves.

- ▶ Secure the guide rail to the workpiece using fastening clamps **[16-4]**.
- ▶ Insert the base runner **[16-3]** for the guide rail adapter into the router table of the router (see section 9.6). This base runner has a ridge which adjusts to the height of the guide rail.
- ▶ Clamp the two guide rods **[16-6]** on the guide rail adapter using the rotary knobs **[16-5]** and **[16-9]**.
- ▶ Open the rotary knob **[16-1]**.
- ▶ Insert the guide rods **[16-6]** into the grooves of the router table.
- ▶ Place the router with the guide rail adapter on the guide rail.

- ▶ If necessary, use a screwdriver on the two guidance jaws **[16-2]** to adjust the play between the guide rail adapter and the guide rail.
- ▶ Move the router along the guide rods until there is the required distance between the cutter and the guide rail. Ensure that there is a safety distance X of (see figure **[16]**) 7/32" (5 mm) between the front edge of the guide rail and the cutter, or the groove.
- ▶ Close the rotary knob **[16-1]**.
- ▶ Open the rotary knob **[16-10]**.
- ▶ Precisely adjust distance X by turning the adjusting wheel **[16-7]**. Hold the adjusting wheel **[16-7]** to separately turn the scale **[16-8]** and set it to zero.
- ▶ Close the rotary knob **[16-10]**.



9.6 Changing the base runner

Festool offers special base runners (available as an accessory) for different applications.

- ▶ Lay the power tool on its side on a stable base.
- ▶ Release the lever **[14-4]**.
- ▶ Remove the base runner **[14-1]**.
- ▶ Release the lever **[14-4]** again.
- ▶ Insert the base runner with the tabs **[14-2]** into the router table.

- ▶ Push the base runner into the router table until it engages.

i When using the base runner for the first time: Remove the protective film.

10 Service and maintenance



WARNING

Any maintenance or repair work that requires opening of the motor or gear housing should only be carried out by an authorised Customer Service Centre (name supplied by your dealer)!

- ▶ Maintenance or repair work carried out by an unauthorised person can lead to the wrong connection of the power cord or other components, which in turn can lead to accidents with serious consequences.



WARNING

To prevent accidents, always remove the plug from the power supply socket before carrying out any changes or maintenance work on the tool!

- ▶ Do not use compressed air to clean the electrical tool! Do not try to clean parts inside the tool in this way, as you could let foreign objects in through the openings of the tool housing.



CAUTION

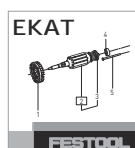
Certain cleaning agents and solvents are harmful to plastic parts.

- ▶ Some of these include, but are not limited to: Gasoline, Acetone, Methyl Ethyl Ketone (MEK), Carbonyl Chloride, cleaning solutions containing Chlorine, Ammonia, and household cleaners containing Ammonia.



Customer service and repairs must only be carried out by the manufacturer or service workshops. Find the nearest address at:

www.festoolusa.com/service



Always use original Festool spare parts. Order no. at:

www.festoolusa.com/service

The tool is equipped with special self-disconnecting carbon brushes. If they wear out, the power supply is disconnected automatically and the tool stops.

Check all warnings on the electric power tool for readability and completeness. Replace missing or illegible warnings.

Observe the following instructions:

- ▶ If it is necessary to replace the mains power cable of the power tool, this must be replaced by the manufacturer or an authorised service workshop, so as to avoid safety hazards.
- ▶ Damaged safety devices and components must be repaired or replaced in a recognised specialist workshop, unless otherwise indicated in the operating instructions.
- ▶ To ensure constant air circulation, always keep the cooling air openings in the housing clean and free of blockages.

11 Accessories

Use only original Festool accessories and Festool consumable material intended for this machine. These components are designed specifically for this machine. Using accessories and consumable material from other suppliers will most likely affect the quality of your results and limit warranty claims. Machine wear or your own personal workload may increase depending on the application. Protect yourself and your machine, and preserve your warranty claims by always using original Festool accessories and Festool consumable material!


The order numbers of the accessories and tools can be found in the Festool catalogue or on the Internet under "www.festoolusa.com".

11.1 SYSTAINER


Systainer

Many Festool products are shipped in a unique system container, called "Systainer". This provides protection and storage for the tool and accessories. The Systainers are stackable and can be interlocked together. They also can be interlocked atop Festool CT dust extractors.

To open the Systainer

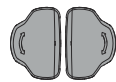
 Turn the T-loc **[SYS-b-1]** to this position.

To lock the Systainer

 Turn the T-loc **[SYS-b-1]** to this position.

To connect two Systainers

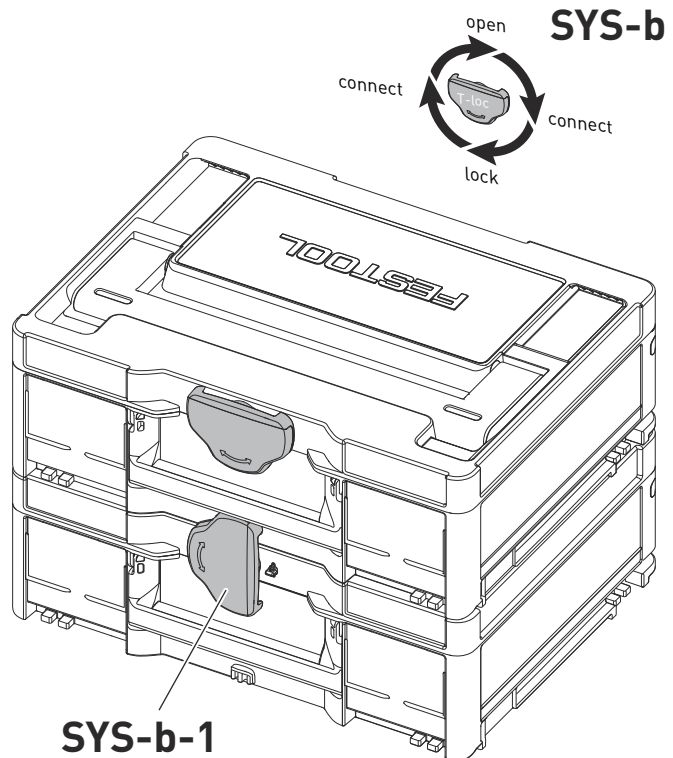
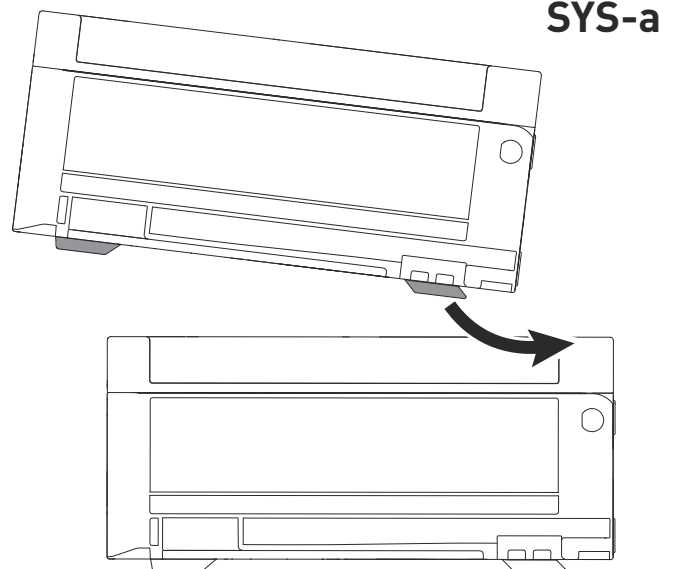
Place one Systainer on the top of the other (Fig. **[SYS-a]**).



Turn the T-loc **[SYS-b-1]** to one of this positions (Fig. **[SYS-b]**).

The Systainers are connected and locked.

- ❶ A Systainer Classic Line can be connected to a Systainer T-Loc or to a Systainer³ from below via its four locking devices. A Systainer T-Loc can be connected to a Systainer³ both from below and from above.



12 Environment

Do not dispose of the device as domestic waste! Dispose of machines, accessories and packaging at an environmentally responsible

recycling centre. Observe the respective national regulations.




Sommaire

1	À propos de ce manuel.....	20
2	Symboles.....	20
3	Consignes de sécurité.....	20
4	Utilisation conforme.....	23
5	Caractéristiques techniques.....	24
6	Éléments de l'appareil.....	24
7	Mise en service.....	24
8	Réglages.....	25
9	Utilisation de l'outil électroportatif.....	30
10	Maintenance et entretien.....	32
11	Accessoires.....	33
12	Environnement.....	34






1 À propos de ce manuel

Conservez ces instructions

Il est important pour vous de lire et de comprendre ce manuel. Les informations qu'il contient, se rapporte à la protection **de votre sécurité** et **de prévention des problèmes**. Les symboles suivants sont utilisés pour vous aider à reconnaître cette information.


	DANGER	Description du risque imminent et l'incapacité à éviter tout risque qui peut entraîner la mort.
	AVERTISSEMENT	Description des dangers possibles et des blessures qui en résultent ou la mort.
	ATTENTION	Description des dangers et des éventuelles blessures qui en résultent.
	AVIS	Description des dommages potentiels sur l'appareil ou dans son environnement.


2 Symboles


	Avertit d'un danger général
	Avertit d'un risque de décharge électrique
	Lire le mode d'emploi et les consignes de sécurité !
	Porter une protection auditive !
	Portez des gants de protection pour changer de lame et pour manipuler des matériaux rugueux !

 Porter une protection respiratoire !

 Porter des lunettes de protection !

 Débrancher la fiche secteur

 Classe de protection II

 Conseil, information

 Instruction

V Volt

A Ampère

Hz Hertz

W Watt

~ Courant alternatif

n_0 Vitesse de rotation à vide

rpm

min^{-1} Tours par minute

tr/mn

kg kilogramme


lb. Livre

" Pouce

mm millimètre

3 Consignes de sécurité

3.1 Consignes générales de sécurité pour outils électroportatifs

 **AVERTISSEMENT !** Veuillez lire toutes les consignes de sécurité, instructions, illustrations et caractéristiques techniques qui accompagnent le présent outil électroportatif. Des négligences relatives aux instructions suivantes peuvent occasionner un choc électrique, un incendie et/ou des blessures graves.

Conserver l'ensemble des consignes de sécurité et des instructions afin de pouvoir les consulter ultérieurement.

Le terme « outil électroportatif » utilisé dans les consignes de sécurité se rapporte aux outils électroportatifs fonctionnant sur secteur (avec câble) et aux outils électroportatifs fonctionnant sur batterie (sans câble).

1 SÉCURITÉ DU POSTE DE TRAVAIL

- a. **Veillez à ce que la zone de travail soit propre et bien éclairée.** Un poste de travail en désordre ou mal éclairé peut entraîner des accidents.
- b. **Ne vous servez pas de l'outil électroportatif dans un environnement où il y a un risque d'explosion dû à la présence de liquides inflammables, de gaz ou de poussières.** Les outils électroportatifs peuvent générer des étincelles susceptibles d'enflammer la poussière ou les vapeurs.
- c. **Éloignez les enfants et d'autres personnes pendant l'utilisation de l'outil électroportatif.** Si vous êtes distrait, vous pouvez perdre le contrôle de l'outil électroportatif.

2 SÉCURITÉ ÉLECTRIQUE

- a. **Le connecteur de l'outil électroportatif doit correspondre à la prise électrique. Le connecteur ne doit être modifié d'aucune façon. N'utilisez pas d'adaptateur avec des outils électroportatifs mis à la terre.** Des connecteurs intacts et des prises correspondantes diminuent le risque d'un choc électrique.
- b. **Évitez tout contact avec des surfaces mises à la terre telles que des tuyaux, chauffages, cuisinières et réfrigérateurs.** Un risque élevé de choc électrique existe si votre corps est relié à la terre.
- c. **Protégez les outils électroportatifs de la pluie et de l'humidité.** L'infiltration d'eau dans un outil électroportatif augmente le risque de choc électrique.
- d. **Ne détournez pas l'utilisation du câble de raccordement pour porter l'outil électroportatif, l'accrocher ou pour tirer le connecteur de la prise. Éloignez le câble de la chaleur, de l'huile, de bords tranchants ou de pièces en mouvement.** Des câbles de raccordement endommagés ou enchevêtrés augmentent le risque de choc électrique.
- e. **Si vous travaillez avec un outil électroportatif à l'extérieur, utilisez uniquement des rallonges prévues pour l'extérieur.** L'utilisation d'un câble prévu pour l'extérieur diminue le risque d'un choc électrique.
- f. **Utilisez un disjoncteur à courant de défaut quand le fonctionnement de l'outil électroportatif en environnement humide ne peut pas être évité.** L'utilisation d'un disjoncteur à courant de défaut diminue le risque d'un choc électrique.

3 SÉCURITÉ DES PERSONNES

- a. **Soyez attentif à ce que vous faites, faites preuve de bon sens lorsque vous travaillez avec l'outil électroportatif. N'utilisez pas l'outil électroportatif si vous êtes fatigué ou si vous êtes sous l'influence de drogues, de l'alcool ou de médicaments.** Un moment d'inattention lors de l'utilisation de l'outil électroportatif peut entraîner des blessures graves.
- b. **Portez un équipement de protection individuelle et des lunettes de protection en permanence.** Le port d'un équipement de protection individuelle tel que masque contre la poussière, chaussures de sécurité antidérapantes, casque ou protection auditive, en fonction du type et de l'utilisation de l'outil électroportatif, diminue le risque de blessures.
- c. **Évitez toute mise en service involontaire. Assurez-vous que l'outil électroportatif est déconnecté avant de le raccorder à l'alimentation électrique et/ou à la batterie, avant de le soulever ou de le porter.** Si, en portant l'outil électroportatif, vous avez le doigt sur l'interrupteur ou si vous raccordez l'outil électroportatif connecté à l'alimentation électrique, cela peut entraîner des accidents.
- d. **Retirez les outils de réglage ou les clés anglaises avant de connecter l'outil électroportatif.** Un outil ou une clé qui se trouve dans une partie de l'outil électroportatif en rotation peut entraîner des blessures.
- e. **Évitez toute position de travail anormale. Veillez à maintenir une position stable et un bon équilibre à tout moment.** Vous pourrez ainsi à tout moment contrôler l'outil électroportatif dans des situations inattendues.
- f. **Portez des vêtements adaptés. Ne portez pas de vêtements amples ou de bijoux. Éloignez vos cheveux et vos vêtements des pièces en mouvement.** Des vêtements amples, des bijoux ou des cheveux longs pourraient se prendre dans les pièces en mouvement.
- g. **Si des dispositifs d'aspiration et de récupération des poussières peuvent être montés, raccordez-les et utilisez-les correctement.** L'utilisation d'une aspiration des poussières peut diminuer les dangers dus aux poussières.
- h. **Ne vous croyez pas faussement en sécurité et n'enfreignez pas les règles de sé-**

curité destinées aux outils électroportatifs, même si vous maîtrisez l'outil électroportatif après de multiples utilisations.

Un manque d'attention peut en un quart de seconde entraîner de graves blessures.

4 UTILISATION ET TRAITEMENT DE L'OUTIL ÉLECTROPORTATIF

- a. **Ne surchargez pas l'outil électroportatif. Utilisez l'outil électroportatif destiné à votre travail.** L'outil électroportatif adapté vous permet de travailler mieux et avec plus de sécurité dans la plage de puissance indiquée.
- b. **N'utilisez aucun outil électroportatif dont l'interrupteur serait défectueux.** Un outil électroportatif qui ne peut plus être mis en marche ou arrêté est dangereux et doit être réparé.
- c. **Débranchez le connecteur de la prise de courant et/ou retirez une batterie amovible avant d'effectuer des réglages sur l'appareil, de remplacer des pièces d'outil ou de déposer l'outil électroportatif.** Cette mesure de précaution empêche un démarrage involontaire de l'outil électroportatif.
- d. **Rangez toujours les outils électroportatifs inutilisés hors de portée des enfants. Ne laissez aucune personne à laquelle vous ne faites pas confiance ou qui n'a pas lu ces consignes se servir de l'outil électroportatif.** Les outils électroportatifs sont dangereux lorsqu'ils sont utilisés par des personnes inexpérimentées.
- e. **Prenez soin de vos outils électroportatifs et outils. Vérifiez que les parties mobiles fonctionnent sans problème, qu'elles ne coincent pas et qu'il n'y a pas de parties cassées ou endommagées qui pourraient entraver le bon fonctionnement de l'outil électroportatif. Faites réparer les parties endommagées avant d'utiliser l'outil électroportatif.** De nombreux accidents sont dus à un mauvais entretien des outils électroportatifs.
- f. **Maintenez les outils de coupe affûtés et propres.** Des outils de coupe entretenus avec soin dotés de bords de coupe affûtés se coincent moins et sont plus faciles à utiliser.
- g. **Utilisez l'outil électroportatif, les outils, etc. en respectant ces instructions. Tenez compte des conditions de travail et de la tâche à effectuer.** L'utilisation des outils électroportatifs pour d'autres applications

que celles prévues peut entraîner des situations dangereuses.

- h. **Veillez à ce que les poignées et surfaces des poignées soient sèches, propres et exemptes d'huile ou de graisse.** Des poignées et surfaces de poignées glissantes ne permettent pas une utilisation en toute sécurité ni un contrôle de l'outil électroportatif dans des situations imprévues.

5 SERVICE

- a. **Faites réparer votre outil électroportatif uniquement par un personnel qualifié ; les réparations doivent être uniquement effectuées avec des pièces détachées d'origine,** afin de garantir la fiabilité de l'outil électroportatif.
- b. **Pour la réparation et l'entretien, n'utilisez que des pièces d'origine.** L'utilisation d'accessoires ou de pièces détachées non adaptés risque de provoquer une électrocution ou des blessures.

3.2 Consignes de sécurité spécifiques à l'appareil

- **Tenez l'outil électroportatif uniquement par les parties isolées car la fraise peut entrer en contact avec son propre câble de raccordement.** Le contact avec un câble sous tension peut également mettre des pièces métalliques de l'appareil sous tension et provoquer une décharge électrique.
- **Fixez et bloquez la pièce sur un support stable au moyen de serre-joints ou d'autres accessoires.** Si vous maintenez la pièce uniquement avec la main ou la bloquez uniquement contre votre corps, elle reste instable, ce qui peut conduire à une perte de contrôle.
- **L'outil électroportatif doit uniquement être équipé de fraises proposées à cette fin par Festool.** L'utilisation d'autres fraises est interdite en raison d'un risque accrue de blessures.
- **Ne pas dépasser la vitesse de rotation maximale indiquée sur l'outil monté et respecter la plage de vitesse.** Les accessoires dont la vitesse de rotation est supérieure à la valeur admissible risquent de se briser ou d'être projetés.
- **Attendez que l'outil électroportatif soit complètement immobilisé avant de le déposer.** L'outil monté peut s'accrocher et provoquer une perte de contrôle de l'outil électroportatif.

- Pour travailler les matériaux qui se chargent d'électricité statique ou peuvent provoquer une accumulation d'électricité statique, il est nécessaire d'utiliser un système global limitant la formation d'électricité statique. Celui-ci se compose d'un tuyau d'aspiration antistatique (AS) et d'un aspirateur.
- Pour le serrage des outils, utiliser uniquement le diamètre de tige pour lequel la pince de serrage est conçue.
- Employez exclusivement des outils conformes à EN 847-1. Toutes les fraises de Festool remplissent les exigences de ce standard.
- Veiller à bien fixer la fraise et s'assurer qu'elle fonctionne parfaitement.
- La pince de serrage et l'écrou-raccord ne doivent présenter aucun dommage.
- L'utilisation de fraises fissurées ou déformées est interdite.



Portez un équipement de protection individuelle approprié : une protection auditive, des lunettes de protection, un masque anti-poussière lors des travaux impliquant un dégagement de poussière et des gants de protection dans le cas des matériaux rugueux et lors du changement d'outil.

3.3 Sciage de l'aluminium

Pour des raisons de sécurité, prenez les mesures suivantes en cas de sciage d'aluminium :

- Installer en amont un disjoncteur différentiel.
- Raccordez l'outil électroportatif à un aspirateur approprié en utilisant un tuyau d'aspiration antistatique.
- Retirez régulièrement les dépôts de poussière accumulés dans le carter moteur de l'outil électroportatif.



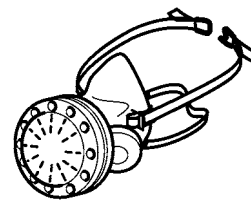
Portez des lunettes de protection !

3.4 La poussière, un risque pour la santé



AVERTISSEMENT! certaines poussières créées par le ponçage mécanique, le sciage, le meulage, le perçage et autres activités reliées à la construction contiennent des substances chimiques connues (dans l'État de la Californie) comme pouvant causer le cancer, des anomalies congénitales ou représenter d'autres dangers pour la reproduction. Voici quelques exemples de telles substances:

- plomb provenant de peintures à base de plomb,
- silice cristallisée utilisée dans les briques, le ciment et autres matériaux de maçonnerie, et
- arsenic et chrome du bois d'oeuvre traité avec un produit chimique.



Le risque d'exposition à de tels produits varie selon la fréquence à laquelle vous faites ce genre de travail. Pour réduire les risques d'exposition à ces substances chimiques : travaillez dans un endroit adéquatement ventilé et utilisez un équipement de sécurité approuvé, tel que masques antipoussières spécialement conçus pour filtrer les particules microscopiques.



AVERTISSEMENT

POUR RÉDUIRE LE RISQUE DE DOMMAGES, L'UTILISATEUR DOIT LIRE LE MANUEL D'INSTRUCTION.

4 Utilisation conforme

La défonceuse est conçue pour le fraisage du bois, des matières plastiques et des matériaux similaires au bois.

Il est également possible de travailler l'aluminium et les plaques de plâtre en utilisant les fraises prévues à cette fin indiquées dans les documents de vente de Festool.

Cet outil électroportatif doit uniquement être utilisé par des personnes qualifiées ou ayant reçu les informations et instructions nécessaires.



L'utilisateur est responsable des dommages provoqués par une utilisation non conforme.

5 Caractéristiques techniques

Défonceuse	OF 2200 EB-F
Courant nominal	15 A
Vitesse	10000– 22000 min ⁻¹
Vitesse max. (à vide)	23000 min ⁻¹
Dispositif de réglage rapide de la profondeur	3-5/32" (80 mm)
Dispositif de réglage micrométrique de la profondeur	25/32" (20 mm)
Filetage de raccordement de l'arbre de transmission	M22 x 1.0
Diamètre de la fraise	3-1/2" (89 mm) max.
Poids selon la procédure EPTA 01:2014 :	18.3 lbs (8.3 kg)

6 Éléments de l'appareil

- [1-1]** Molette de réglage micrométrique
- [1-2]** Graduation de réglage micrométrique
- [1-3]** Bouton rotatif de réglage en hauteur
- [1-4]** Graduation de la butée de profondeur
- [1-5]** Butée de profondeur avec curseur
- [1-6]** Levier de blocage de la butée de profondeur
- [1-7]** Excentrique permettant de relier la butée de profondeur et la butée étagée
- [1-8]** Butée étagée
- [1-9]** Levier d'actionnement pour le changement de semelle
- [1-10]** Blocage de broche
- [1-11]** Molette pour le régime
- [2-1]** Bouton de blocage de l'interrupteur marche/arrêt
- [2-2]** Interrupteur marche/arrêt
- [2-3]** Levier de blocage du capot de protection
- [2-4]** Poignées
- [2-5]** Raccord d'aspiration

Les images décrivant les éléments fonctionnels se trouvent sur une page dépliant au début du manuel d'utilisation. Pendant la lecture du manuel, vous pouvez vous référer rapidement à la page en la dépliant et procéder ainsi à des comparaisons.

Les accessoires illustrés ou décrits ne font pas tous partie des éléments livrés.

7 Mise en service



AVERTISSEMENT

Tension ou fréquence non admissible !

Risque d'accident

- La tension et la fréquence d'alimentation électrique doivent être conformes aux indications de la plaque signalétique.
- En Amérique du nord, utiliser uniquement les machines Festool fonctionnant sous une tension de 120 V / 60 Hz.

7.1 Rallonge

S'il est nécessaire d'utiliser une rallonge, celle-ci doit présenter une section suffisante pour éviter une perte de tension excessive ou une surchauffe. Une perte de tension excessive réduit la puissance et peut provoquer la défaillance du moteur. Le tableau ci-dessous indique le diamètre de câble approprié en fonction de la longueur de câble pour cet outil.

Taille de câble en AWG

Intensité nominale de l'outil	Longueur de câble en pieds			
	25	50	100	150
3-6	18	16	16	14
6-8	18	16	14	12
8-10	18	16	14	12
10-12	16	16	14	12
12-16	14	12	-	-


Taille de câble en mm²

Intensité nominale de l'outil	Longueur de câble en mètres			
	15	30	60	120
3-6	0,75	0,75	1,5	2,5
6-8	0,75	1,0	2,5	4,0
8-10	0,75	1,0	2,5	4,0

Intensité nominale de l'outil	Longueur de câble en mètres			
	1,0	2,5	4,0	-
10-12	1,0	2,5	4,0	-
12-16	-	-	-	-

Utiliser uniquement des rallonges homologuées NRTL.

Ne jamais utiliser deux rallonges ensemble. Au lieu de cela, utiliser une rallonge plus longue.

 Plus la valeur AWG est faible, plus le diamètre du câble est élevé.

7.2 Mise en marche/à l'arrêt

L'interrupteur **[2-2]** fait office d'interrupteur MARCHE/ARRÊT (pression = MARCHE, relâchement = ARRÊT).

Pour le fonctionnement continu, l'interrupteur MARCHE/ARRÊT peut être bloqué au moyen du bouton de blocage **[2-1]**. Une nouvelle pression sur l'interrupteur MARCHE/ARRÊT permet de débloquent l'appareil.

8 Réglages



AVERTISSEMENT

Risque de blessures, décharge électrique

- Débrancher la fiche de la prise de courant avant toute intervention sur la machine !

8.1 Électronique

Régulation de la vitesse

La molette **[1-11]** permet un réglage en continu de la vitesse dans la plage de régimes (voir Caractéristiques techniques).

La vitesse de coupe peut ainsi être adaptée de façon optimale à chaque matériau.

Matériau	Diamètre de la fraise			Matériau de coupe recommandé
	3/8" – 1-3/16"	1-3/16" – 2"	2" – 3-1/2"	
	10 - 30 mm	30 - 50 mm	50 - 89 mm	
Position de la molette				
Bois dur	6 - 4	5 - 3	3 - 1	HW (HSS)
Bois tendre	6 - 5	6 - 4	5 - 3	HSS (HW)

Matériau	Diamètre de la fraise			Matériau de coupe recommandé
	3/8" – 1-3/16"	1-3/16" – 2"	2" – 3-1/2"	
	10 - 30 mm	30 - 50 mm	50 - 89 mm	
Pan-neaux agglomérés plans, revêtus	6 - 5	6 - 4	4 - 2	HW
Matière plastique	6 - 4	6 - 3	3 - 1	HW
Aluminium	3 - 1	3 - 1	2-1	HSS (HW)
Plâtres	2 - 1	1	1	HW

Fusible thermique

En cas de température excessive du moteur, l'alimentation électrique et la vitesse sont réduites. L'outil électroportatif continue de fonctionner à puissance réduite afin de permettre un refroidissement rapide par ventilation du moteur. Après refroidissement, l'outil électroportatif redémarre automatiquement.

Protection anti-redémarrage

La protection anti-redémarrage intégrée empêche un redémarrage automatique de l'outil électroportatif après une coupure d'alimentation lorsque l'interrupteur marche/arrêt est enfoncé. Dans ce cas, l'outil électroportatif doit tout d'abord être éteint puis remis en marche. En raison de du système de protection anti-redémarrage intégré, la mise en marche ou à l'arrêt de l'outil électroportatif au moyen d'un module de commutateur externe n'est pas possible.

Frein

La OF 2200 EB-F dispose d'un frein électronique. Après la mise à l'arrêt, le frein électronique freine et immobilise la broche et l'outil en 2 s environ.

8.2 Changement d'outil



ATTENTION

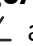
Risque de blessures dû à l'outil d'usinage chaud et tranchant

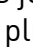
- ▶ Ne pas monter d'outils d'usinage émoussés ou défectueux.
- ▶ Se munir de gants de protection pour manipuler l'outil d'usinage.

Pour le changement d'outil, coucher l'outil électroportatif sur le côté.

Actionner le dispositif de blocage de broche **[3-1]** uniquement après avoir éteint l'outil électroportatif.

Montage de l'outil

- ▶ Enfoncer l'outil de fraisage (**[3-4]** et **[3A-1]**) aussi profondément que possible dans la pince de serrage ouverte **[3A-2]**, et au moins jusqu'au repère  apposé sur la tige de la fraise.

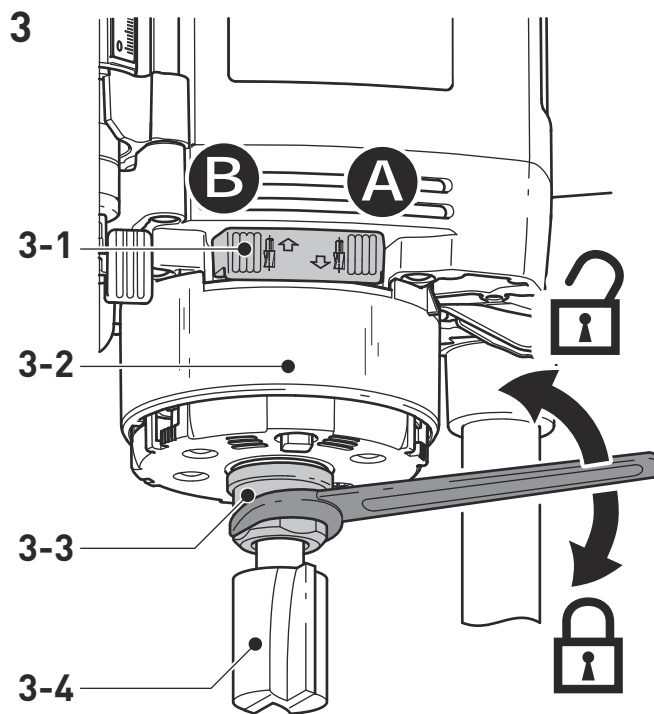
i Si la pince de serrage **[3A-2]** n'est pas visible à cause de l'écrou-raccord **[3A-3]**, l'outil de fraisage doit être enfoncé dans la pince de serrage au moins jusqu'à ce que le repère  ne dépasse plus au-dessus de l'écrou-raccord.

- ▶ Appuyer sur le bouton du dispositif de blocage de broche **[3-1]** sur le côté gauche **[B]**.
- ▶ Serrer l'écrou-raccord **[3-3]** avec une clé à fourche de 24.

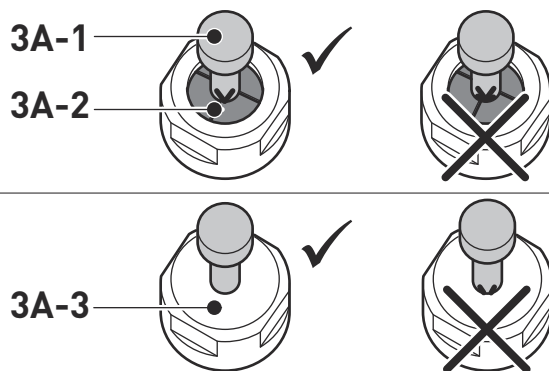
i Le dispositif de blocage de broche fixe la broche du moteur dans un seul sens de rotation. Lors du desserrage ou du serrage de l'écrou-raccord, il est donc possible d'utiliser la clé dans les deux sens, comme un tournevis à cliquet, sans devoir la retirer entre deux.

Retrait de l'outil

- ▶ Relever le capot de protection contre les copeaux **[3-2]** jusqu'à ce qu'il se verrouille.
- ▶ Appuyer sur le bouton du dispositif de blocage de broche **[3-1]** sur le côté droit **[A]**.
- ▶ Avec une clé à fourche de 24, desserrer l'écrou-raccord **[3-3]** jusqu'à ce qu'une résistance soit sensible. Une fois cette résistance sensible, continuer à tourner avec la clé à fourche.
- ▶ Retirer la fraise.



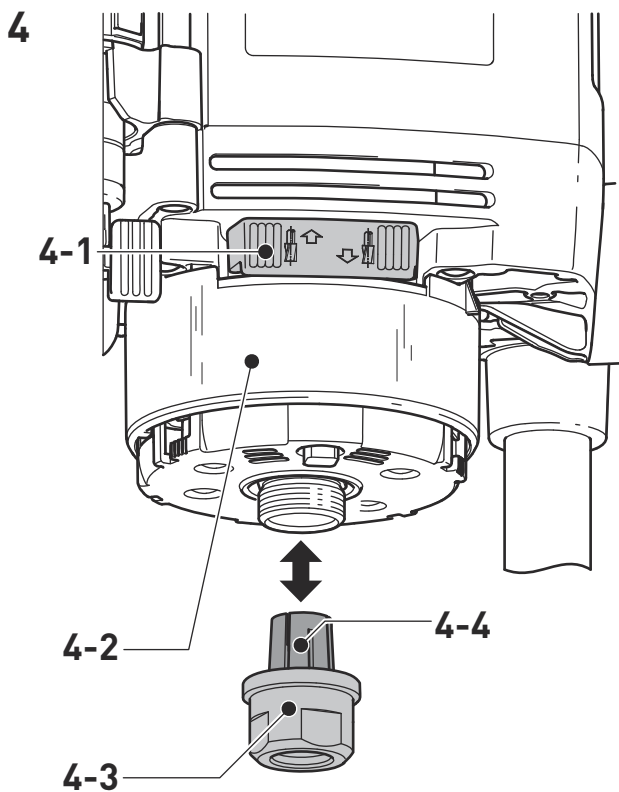
3A



8.3 Changement de pince de serrage

Il existe des pinces de serrage pour les diamètres de tige suivants : 1/4" (6.35 mm); 5/16" (8.0 mm); 3/8" (9.53 mm); 1/2" (12.7 mm).

- ▶ Relever le capot de protection contre les copeaux **[4-2]** jusqu'à ce qu'il se verrouille.
- ▶ Appuyer sur le bouton du dispositif de blocage de broche **[4-1]** sur le côté droit **[A]**.
- ▶ Dévisser complètement l'écrou-raccord **[4-3]** et le retirer ainsi que la pince de serrage **[4-4]**. Ne jamais séparer l'écrou-raccord de la pince de serrage car ils forment un ensemble.
- ▶ Insérer une pince de serrage neuve dans la broche uniquement après avoir mis en place et verrouillé l'écrou-raccord.
- ▶ Visser légèrement l'écrou-raccord. **Ne pas serrer sans avoir inséré une fraise !**



8.4 Réglage de la profondeur de fraisage

Le réglage de la profondeur de fraisage s'effectue en deux étapes :

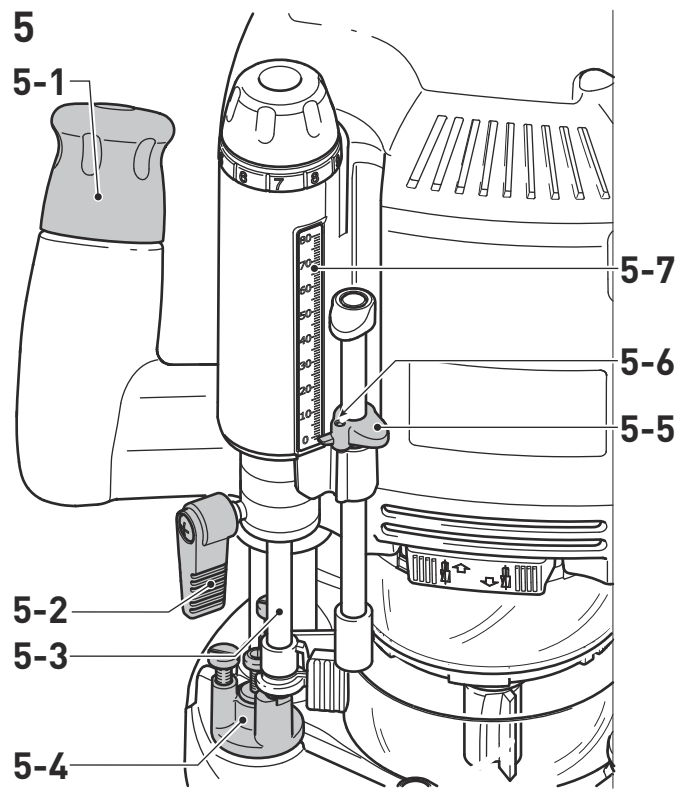
Réglage du point zéro

- ▶ Desserrer le levier de blocage **[5-2]** de manière à pouvoir déplacer la butée de profondeur **[5-3]**.
- ▶ Poser la défonceuse sur un support plan (surface de référence). Desserrer le bouton rotatif **[5-1]** et abaisser l'outil électroportatif jusqu'à ce que la fraise repose sur le support.
- ▶ Bloquer l'outil électroportatif à cette position en serrant le bouton rotatif **[5-1]**.
- ▶ Pousser la butée de profondeur **[5-3]** contre l'une des trois butées fixes de la butée étagée **[5-4]** rotative.
- ▶ Abaisser le curseur **[5-5]** jusqu'à 0" (0 mm) sur la graduation **[5-7]**.

ⓘ Si la position zéro n'est pas correcte, il est possible de la corriger avec la vis **[5-6]** située sur le curseur.

Avec un tournevis, il est possible de régler séparément la hauteur de deux des trois butées fixes **[7]** (A et B).

ⓘ La butée fixe C dispose d'un étage destiné au fraisage d'ébauche - voir chapitre 8.5.



Préréglage de la profondeur de fraisage

- ▶ Relever la butée de profondeur **[6-6]** jusqu'à ce que le curseur **[6-2]** indique la profondeur de fraisage souhaitée.
- ▶ Serrer la butée de profondeur à cette position avec le levier de blocage **[6-3]**.
- ▶ Desserrer le bouton rotatif **[6-1]**.

L'outil électroportatif est maintenant en position de départ.

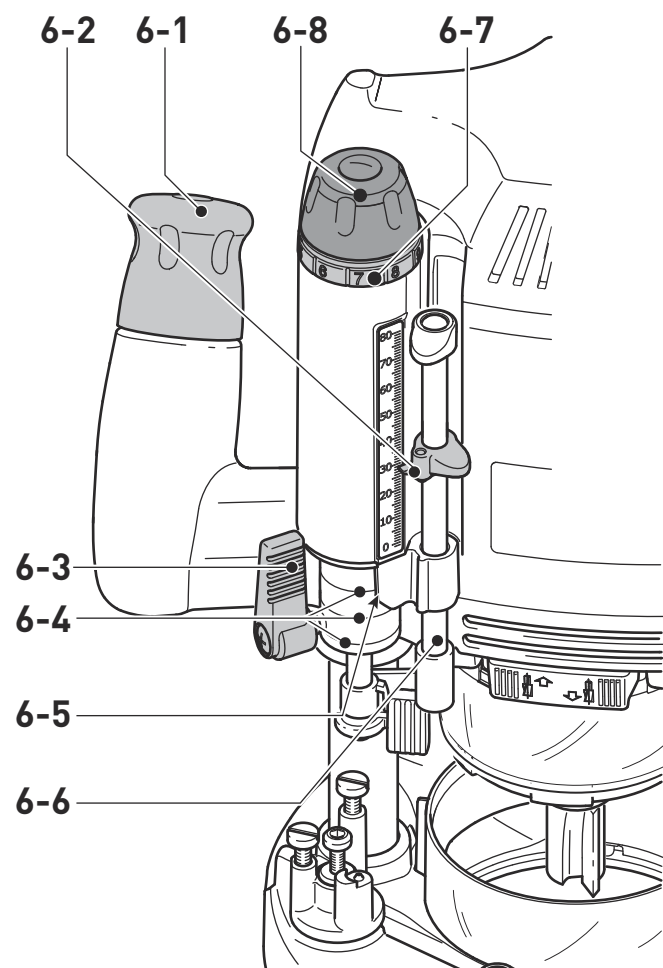
- ▶ Au besoin, rajuster la profondeur de fraisage en tournant la molette **[6-8]**.

ⓘ En faisant tourner la molette d'un trait, la profondeur de fraisage change de 0.004" (0.1 mm). Une rotation complète correspond à 1/16" (1 mm).

Il est possible de tourner séparément la bague graduée **[6-7]** pour la mettre sur « zéro ».

Les trois repères **[6-4]** indiquent sur le chant **[6-5]** la plage de réglage maximale de la molette (3/4" (20 mm)) et la position médiane.

6



8.5 Fraisage d'ébauche/de précision

La butée fixe C présente deux niveaux. La différence de hauteur entre ces niveaux est de 1/16" (2 mm). Ceci permet de fraiser en deux étapes jusqu'à la profondeur de fraisage réglée avec la butée C :

Fraisage d'ébauche

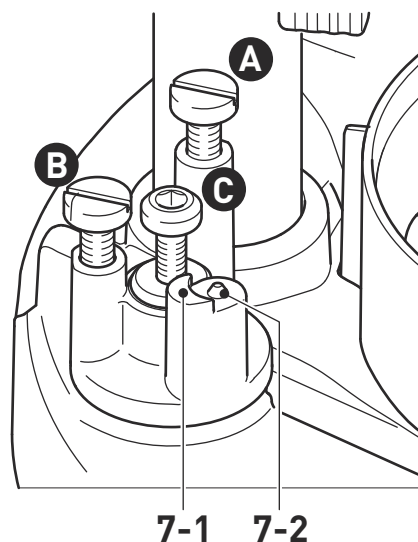
- Abaisser l'outil électroportatif jusqu'au niveau de butée [7-1].

Fraisage de finition

- Abaisser l'outil électroportatif jusqu'au niveau de butée [7-2].

i Il est ainsi possible de fraiser rapidement à une grande profondeur en obtenant une surface de bonne qualité. La profondeur de fraisage définitive est déterminée par le réglage du niveau de butée [7-2].

7



8.6 Réglage micrométrique pour le fraisage des chants

Pour l'utilisation d'outils de fraisage avec des roulements à billes de butée, l'outil électroportatif dispose d'un dispositif spécial de réglage micrométrique. Ceci permet par ex. de régler rapidement et facilement l'appareil de manière à obtenir un arrondi parfait sur les chants, voir figure [8].

8

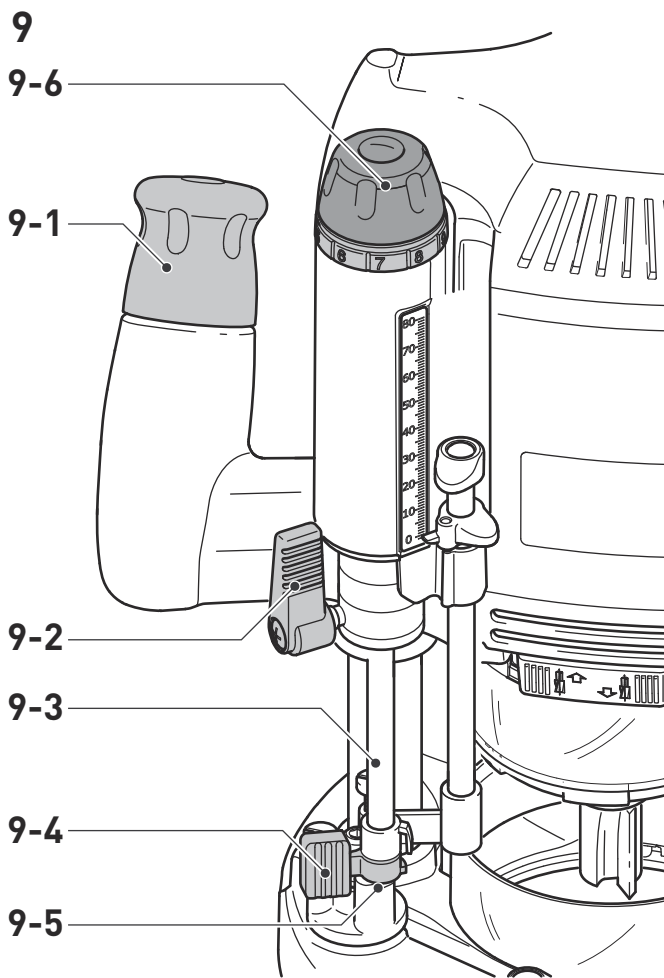


Réglage précis de la profondeur de fraisage

- Commencer par régler approximativement la profondeur de fraisage.
- Effectuer un fraisage test.
- Desserrer le levier de blocage [9-2].
- Pousser la butée de profondeur [9-3] contre la butée fixe C [9-5].
- Bloquer la butée de profondeur avec l'excentrique [9-4] sur la butée étagée (tourner dans le sens horaire).
- Serrer le levier de blocage [9-2].
- Desserrer le bouton rotatif [9-1].
- Tourner la molette [9-6] pour la régler avec précision la profondeur de fraisage.

i Le réglage de la profondeur de fraisage est possible dans les deux sens grâce car la butée de profondeur et la butée étagée sont reliées.

- Serrer le bouton rotatif [9-1].
- Desserrer l'excentrique [9-4] (tourner dans le sens antihoraire).
- Si nécessaire, effectuer d'autres fraisages tests et procéder à des réglages.



8.7 Aspiration



AVERTISSEMENT

Risques pour la santé dus aux poussières

- ▶ Ne jamais travailler sans aspiration.
- ▶ Utiliser l'appareil uniquement avec un capot de protection contre les copeaux [10-2] opérationnel.
- ▶ Porter une protection respiratoire lors des opérations s'accompagnant d'un dégagement de poussière.
- ▶ Respecter les dispositions nationales.

Le raccord d'aspiration [10-4] permet de raccorder un aspirateur Festool doté d'un flexible de 1-1/16" (27 mm) ou 1-7/16" (36 mm) de diamètre (conseil : un flexible de 1-7/16" (36 mm) réduit le risque de colmatage).

Mettre en place le raccord d'aspiration [10-4] comme le montre la figure [10]. Le raccord d'aspiration peut tourner dans la plage de pivotement [10-3].

ATTENTION ! Si vous n'utilisez pas de tuyau d'aspiration antistatique, une accumulation d'électricité statique est possible. L'utilisateur risque alors de subir une décharge électrique et le système électronique de l'outil électroportatif risque d'être endommagé.

Capot de protection contre les copeaux

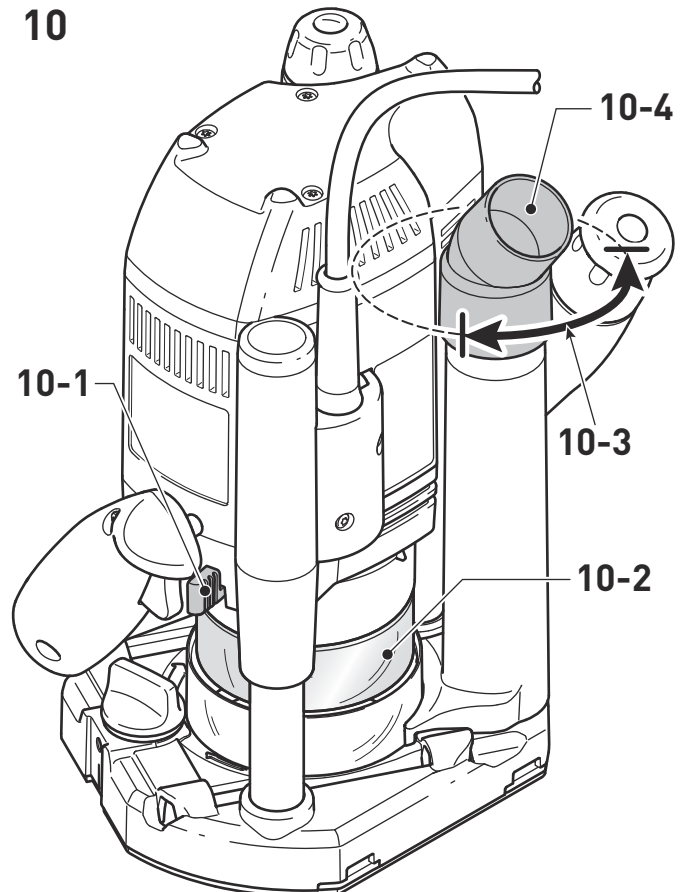
Le capot de protection contre les copeaux [10-2] peut être verrouillé en position haute, par ex. pour le changement de fraise.

- ▶ Relever le capot de protection contre les copeaux jusqu'à ce qu'il se verrouille ou abaisser l'outil électroportatif jusqu'en butée.

Pour augmenter l'efficacité d'aspiration, abaisser le capot de protection contre les copeaux pendant l'utilisation.

- ▶ Pousser le levier [10-1] en direction de la poignée.

10



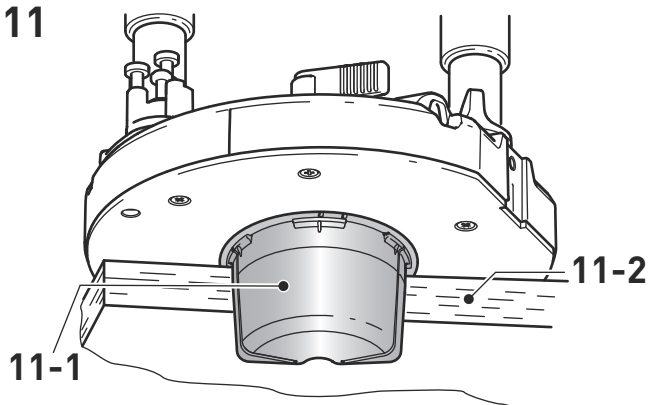
Dispositif d'évacuation de copeaux KSF-OF

Le dispositif d'évacuation de copeaux KSF-OF [11-1] (parfois compris dans les accessoires) permet d'augmenter l'efficacité d'aspiration lors du fraisage des chants. Le diamètre de fraise maximal possible est de 3" (78 mm).


Le montage s'effectue de la même manière que l'installation de la bague de copiage, voir chapitre 9.3.

Il est possible de découper le capot le long des rainures [11-2] à l'aide d'une scie à métaux pour réduire sa taille. Le dispositif d'évacuation de copeaux peut alors être utilisé pour les rayons intérieurs jusqu'à un rayon minimal de 2" (52 mm).

11



9 Utilisation de l'outil électroportatif

 Pendant l'utilisation, respectez toutes les consignes de sécurité indiquées ci-avant ainsi que les règles suivantes :

- Guider l'outil électroportatif contre la pièce à travailler seulement quand celui-ci est activé.
- Avant d'entamer le travail, s'assurer que le levier de blocage [1-6] est serré et l'excentrique [1-7] desserré.
- Fixez toujours la pièce de manière à ce qu'elle ne puisse pas bouger pendant l'utilisation de l'outil électroportatif.
- Pendant l'utilisation, **toujours tenir l'outil électroportatif des deux mains** par les poignées [2-4]. Cela est indispensable pour un travail précis et la réalisation de coupes plongeantes.
- Fraiser uniquement en opposition (sens d'avance de l'outil électroportatif dans le sens de coupe de l'outil, figure [15]).

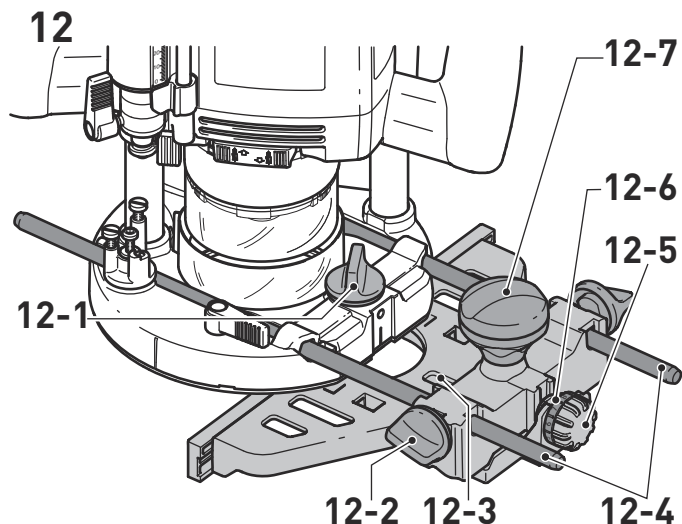
9.1 Fraisage

- ▶ Régler la profondeur de fraisage souhaitée, voir chapitre 8.4.
- ▶ Mettre l'outil électroportatif en marche.
- ▶ Desserrer le bouton rotatif [1-3].
- ▶ Abaisser l'outil électroportatif jusqu'en butée.
- ▶ Bloquer l'outil électroportatif à cette position en serrant le bouton rotatif [1-3].
- ▶ Pénétrer dans la pièce en un mouvement lent et régulier.
- ▶ Procéder au fraisage.
- ▶ Desserrer le bouton rotatif [1-3].
- ▶ Relever lentement l'outil électroportatif (mouvement de remontée) jusqu'en butée.
- ▶ Éteindre l'outil électroportatif.

9.2 Fraisage avec la butée latérale

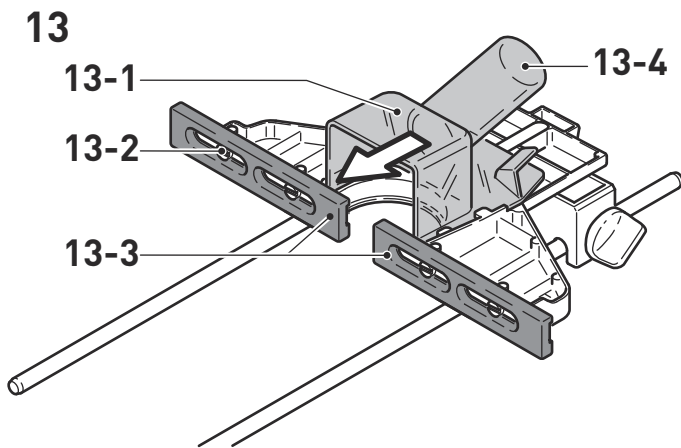
La butée latérale (parfois comprise dans les accessoires) s'utilise pour le fraisage parallèlement au chant de la pièce.

- ▶ Bloquer les deux barres de guidage [12-4] sur la butée latérale avec les deux boutons rotatifs [12-2].
- ▶ Introduire les barres de guidage dans les rainures de la table de fraisage jusqu'à la cote souhaitée puis les bloquer avec le bouton rotatif [12-1].



Réglage micrométrique

- ▶ Desserrer le bouton rotatif [12-7] pour procéder au réglage micrométrique avec la molette [12-5].
Pour cela, la bague graduée [12-6] dispose d'une graduation de 0.004" (0.1 mm). Tout en maintenant la molette, il est possible de tourner séparément la bague graduée pour la mettre sur « zéro ». La graduation [12-3] indique le réglage en millimètres.
- ▶ Une fois le réglage micrométrique terminé, serrer le bouton rotatif [12-7].
- ▶ Régler les deux joues de guidage [13-3] de manière à ce qu'elles dépassent d'env. 7/32" (5 mm) par rapport à la fraise. Pour cela, desserrer les vis [13-2] puis les resserrer une fois le réglage terminé.
- ▶ Uniquement pour le fraisage sur chant : enfoncer le capot d'aspiration [13-1] par l'arrière sur la butée latérale jusqu'à ce qu'il soit verrouillé puis brancher sur le raccord d'aspiration [13-4] un tuyau d'aspiration d'un diamètre de 1-1/16" (27 mm) ou 1-7/16" (36 mm). Il est également possible de laisser le tuyau d'aspiration sur le raccord d'aspiration de l'outil électroportatif.



9.3 Fraisage de copiage

Pour le fraisage avec des gabarits, on utilise la défonceuse avec une bague de copiage intégrée (accessoire).

- ⓘ Les bagues de copiage peuvent être utilisées avec la semelle disponible de série. Une semelle spéciale est disponible comme accessoire pour offrir une meilleure surface d'appui.

Installation de la bague de copiage



ATTENTION

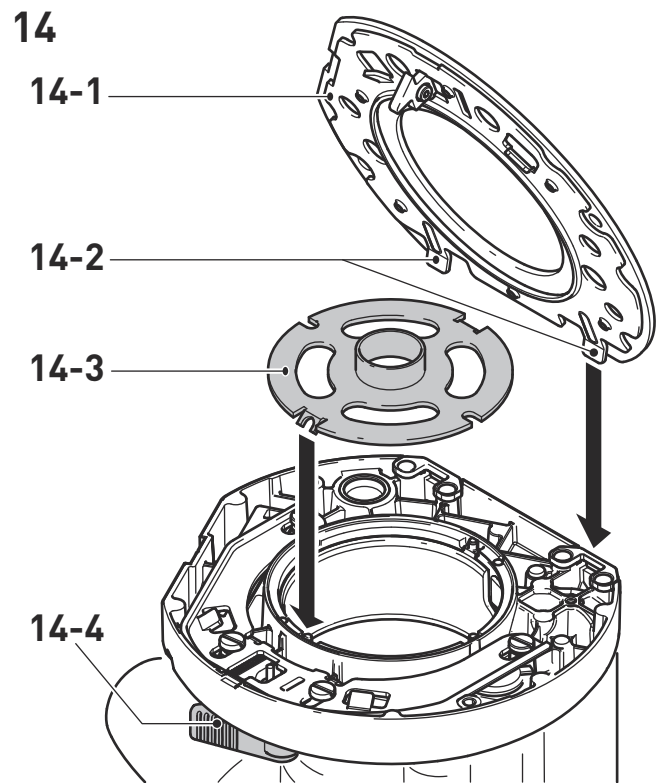
Risque d'accident

Les outils de fraisage de trop grande taille endommagent la bague de copiage et peuvent provoquer des accidents.

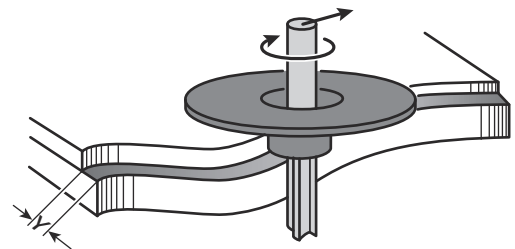
- ▶ Veiller à ce que l'outil de fraisage utilisé puisse rentrer dans l'ouverture de la bague de copiage.
- ▶ Coucher sur le côté l'outil électroportatif sur un support solide.
- ▶ Desserrer le levier [14-4].
- ▶ Retirer la semelle [14-1].
- ▶ Relâcher le levier [14-4].
- ▶ Insérer la bague de copiage [14-3] en position correcte dans la table de fraisage.
- ▶ Insérer la semelle avec les languettes [14-2] dans la table de fraisage.
- ▶ Enfoncer la semelle dans la table de fraisage jusqu'à ce qu'elle soit verrouillée.

Le dépassement Y (figure [15]) de la pièce par rapport au gabarit se calcule comme suit :

$$Y = (\text{ø de la bague de copiage} - \text{ø de la fraise})/2$$



15



9.4 Fraisage des chants

Pour le fraisage des chants, l'outil électroportatif doit être équipé d'outils de fraisage avec roulement à billes de butée. L'outil électroportatif doit ensuite être déplacé de manière à faire rouler le roulement à billes de butée contre la pièce.

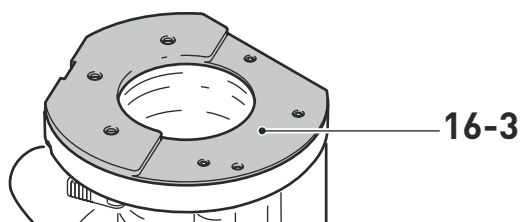
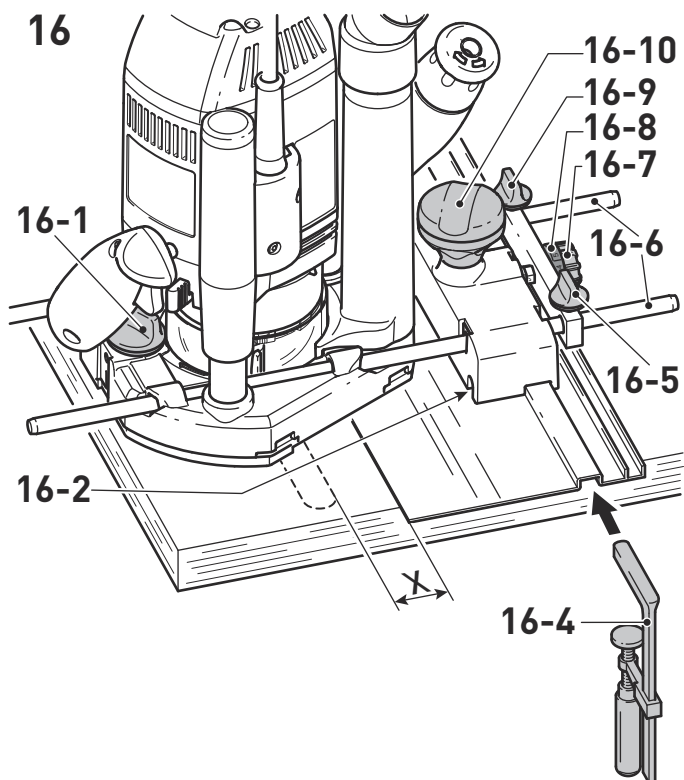
Lors du fraisage des chants, toujours utiliser le dispositif d'évacuation de copeaux KSF-OF afin d'optimiser les performances d'aspiration.

9.5 Fraisage avec le système de guidage FS

Le système de guidage (parfois compris dans les accessoires) facilite le fraisage de rainures droites.

- ▶ Fixer le rail de guidage avec des serre-joints [16-4] sur la pièce.
- ▶ Installer la semelle [16-3] pour la butée de guidage dans la table de fraisage de la défonceuse (voir chapitre 9.6). Cette semelle est dotée d'un étage qui compense la différence de hauteur du rail de guidage.
- ▶ Bloquer les deux barres de guidage [16-6] sur la butée de guidage avec les boutons rotatifs [16-5] et [16-9].
- ▶ Desserrer le bouton rotatif [16-1].

- ▶ Introduire les barres de guidage [16-6] dans les rainures de la table de fraisage.
- ▶ Poser la défonceuse et la butée de guidage sur le rail de guidage.
- ▶ Il est possible au besoin, sur les deux joues de guidage [16-2], d'utiliser un tournevis pour régler le jeu de la butée de guidage sur le rail de guidage.
- ▶ Déplacer la défonceuse le long des barres de guidage jusqu'à l'écart souhaité entre l'outil de fraisage et le rail de guidage. Veiller à assurer une distance de sécurité X - figure [16] de 7/32" (5 mm) entre le bord avant du rail de guidage et la fraise/la rainure.
- ▶ Serrer le bouton rotatif [16-1].
- ▶ Desserrer le bouton rotatif [16-10].
- ▶ Régler avec précision l'écart X en tournant la molette [16-7]. Maintenir la molette [16-7] pour mettre la graduation [16-8] à « zéro » en la tournant séparément.
- ▶ Serrer le bouton rotatif [16-10].



9.6 Remplacer la semelle

Festool propose des semelles spéciales (accessoires) pour différentes applications.

- ▶ Coucher sur le côté l'outil électroportatif sur un support solide.

- ▶ Desserrer le levier [14-4].
- ▶ Retirer la semelle [14-1].
- ▶ Relâcher le levier [14-4].
- ▶ Insérer la semelle avec les languettes [14-2] dans la table de fraisage.
- ▶ Enfoncer la semelle dans la table de fraisage jusqu'à ce qu'elle soit verrouillée.

ⓘ À la première utilisation de la semelle : retirer le film de protection !

10 Maintenance et entretien



AVERTISSEMENT

Tout travail de maintenance ou de réparation, qui nécessite l'ouverture du moteur ou du carter d'engrenages doit uniquement être effectué par un centre service-client autorisé (nom fourni par votre revendeur) !

- ▶ Les travaux de maintenance ou de réparation effectués par un personnel non autorisé peuvent conduire à la mauvaise connexion de câbles d'alimentation ou d'autres composants, ce qui peut entraîner à son tour des accidents avec des conséquences graves.



AVERTISSEMENT

Pour éviter les accidents, retirez toujours la fiche mâle de la prise d'alimentation électrique avant d'effectuer tout travail de maintenance ou de réparation sur la machine !

- ▶ N'utilisez pas d'air comprimé pour nettoyer l'outil électrique ! N'essayez pas de nettoyer des parties à l'intérieur de la machine de cette façon, étant donné que des corps étrangers pourraient pénétrer dans les ouvertures du carter de la machine.



ATTENTION

Certains produits nettoyants et solvants sont nocifs pour les pièces en plastique.

- ▶ Quelques exemples de produit nocif : essence, acétone, méthyléthylcétone (MEK), chlorure de carbonyle, solutions nettoyantes contenant du chlore, de l'ammoniac et les produits ménagers contenant de l'ammoniac.



Service après-vente et réparation uniquement par le fabricant ou des ateliers homologués. Pour trouver l'adresse la plus proche : www.festool.fr/services



Utiliser uniquement des pièces détachées Festool d'origine ! Réf. sur : www.festool.fr/services

L'appareil est équipé de charbons spéciaux à coupure automatique. Lorsque ceux-ci sont usés, l'alimentation est coupée et l'appareil s'arrête.

Vérifier que les avertissements figurant sur l'outil électroportatif sont lisibles et au complet. Remplacer les avertissements manquants ou illisibles.

Respecter les consignes suivantes :

- ▶ S'il est nécessaire de remplacer le câble de raccordement secteur de l'outil électroportatif, cette opération doit être effectuée par le fabricant ou un atelier SAV agréé afin de ne pas compromettre la sécurité.
- ▶ Sauf indication contraire dans la notice d'utilisation, les dispositifs de protection et pièces endommagés doivent être réparés ou remplacés dans les règles de l'art par un atelier spécialisé agréé.
- ▶ Pour garantir la circulation de l'air, les ouïes de ventilation sur le boîtier doivent toujours rester propres et dégagées.

11 Accessoires

Utilisez uniquement les accessoires Festool et consommables Festool d'origine prévus pour cette machine, car ces composants systèmes sont parfaitement adaptés les uns par rapport aux autres. Si vous utilisez des accessoires et consommables d'autres marques, la qualité du résultat peut être dégradée et les recours en garantie peuvent être soumis à des restrictions. L'usure de la machine ou votre charge personnelle peuvent augmenter selon chaque application. Pour cette raison, protégez-vous, votre machine et vos droits à la garantie en utilisant exclusivement des accessoires Festool et des consommables Festool d'origine !

Les références des accessoires et des outils figurent dans le catalogue Festool ou sur Internet sous "www.festoolusa.com".

11.1 SYSTAINER

Systainer

De nombreux produits Festool sont fournis dans une caisse exclusive, appelée "Systainer". Celle-ci permet de protéger et de ranger des outils et des appareils complémentaires. Les Systainer sont empilables et peuvent être soli-

darisés. En outre, il se fixent sur les aspirateurs CT Festool.

Pour ouvrir le Systainer



Tournez le T-loc **[SYS-b-1]** à cette position.

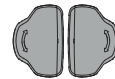
Pour fermer le Systainer



Tournez le T-loc **[SYS-b-1]** à cette position.

Pour connecter deux Systainers

Placez un Systainer au dessus de l'autre **[SYS-a]**.

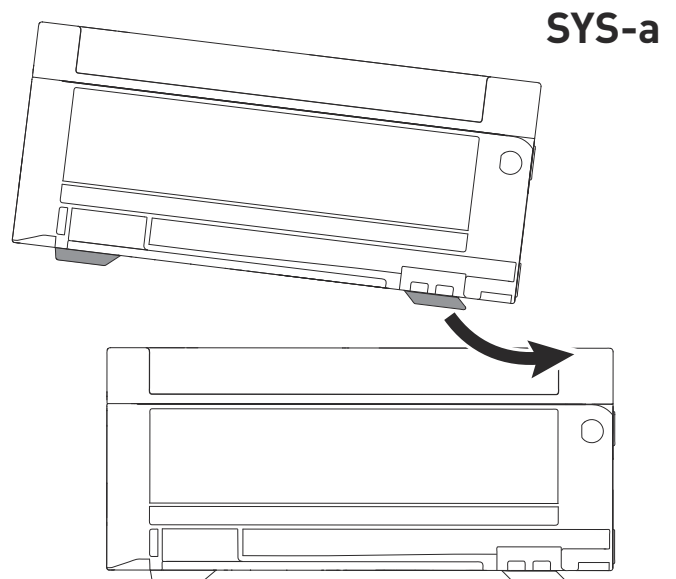


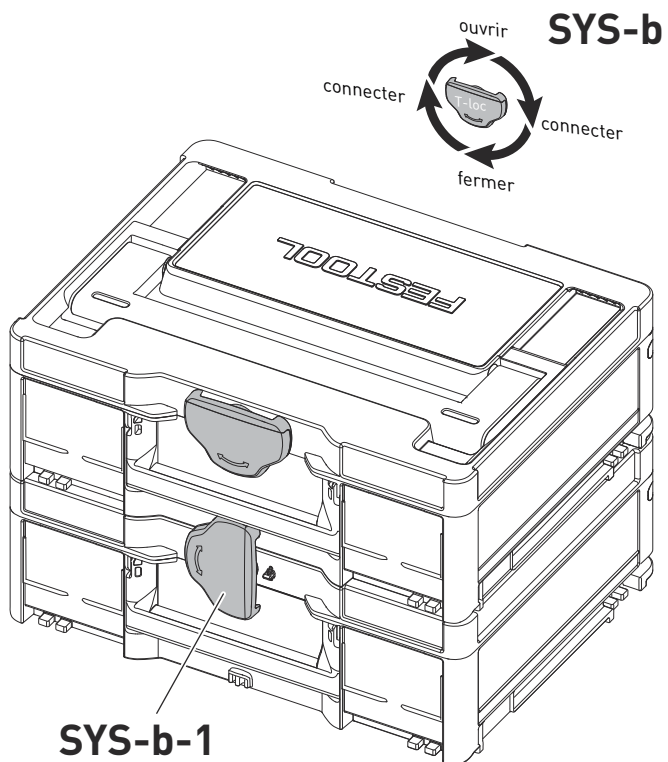
Tournez le T-loc **[SYS-b-1]** à une de cette positions (Fig. **[SYS-b]**).

Les Systainers sont combinés.

- ① Un Systainer Classic Line peut être relié par en bas à un Systainer T-Loc ou à un Systainer³ avec ses quatre éléments de verrouillage

Un Systainer T-Loc peut être relié à un Systainer³ à la fois par le bas et par le haut.





12 Environnement

Ne jetez pas l'appareil avec les ordures ménagères ! Eliminez l'appareil, les accessoires et les emballages de façon compatible avec l'environnement. Respectez les prescriptions nationales en vigueur.


Índice de contenidos


1	Sobre este manual.....	35
2	Símbolos.....	35
3	Indicaciones de seguridad.....	35
4	Uso conforme a lo previsto.....	38
5	Datos técnicos.....	38
6	Componentes de la herramienta.....	39
7	Puesta en servicio.....	39
8	Ajustes.....	40
9	Trabajo con la herramienta eléctrica.....	44
10	Mantenimiento y limpieza.....	47
11	Accesorios.....	47
12	Medio ambiente.....	48


1 Sobre este manual

Guarde estas instrucciones

Es importante que usted lea y entienda este manual. La información que contiene se relaciona con la protección de **su seguridad y la prevención de problemas**. Los símbolos que siguen se utilizan para ayudarlo a reconocer esta información.


 PELIGRO Descripción de peligro inminente y fracaso para evitar riesgos que podran causar la muerte.


 ADVERTENCIA Descripción de peligro y posibles lesiones resultantes o la muerte.


 PRECAUCIÓN Descripción de peligro y posibles lesiones resultantes.


AVISO Descripción de los posibles daños en el dispositivo o en su entorno.


2 Símbolos

 Aviso de peligro general


 Peligro de electrocución

 ¡Leer el manual de instrucciones y las indicaciones de seguridad!


 Usar protección para los oídos


 Utilizar guantes de protección al cambiar de herramienta y al trabajar con materiales ásperos.


 Utilizar protección respiratoria.

 Utilizar gafas de protección

 Desenchufar

 Clase de protección II

 Consejo, indicación

 Guía de procedimiento

V Voltio

A Amperios

Hz hertzios

W Vatio

~ corriente alterna

n_0 revoluciones por minuto en vacío

rpm

min^{-1} revoluciones por minuto

tr/mn

kg kilogramo


lb. libras

" pulgada

mm milímetro

3 Indicaciones de seguridad

3.1 Indicaciones de seguridad generales para herramientas eléctricas

 **¡ADVERTENCIA! Leer todas las indicaciones de seguridad, instrucciones, ilustraciones y datos técnicos que acompañan a esta herramienta eléctrica.** Si no se cumplen debidamente las instrucciones siguientes, puede producirse una descarga eléctrica, quemaduras o lesiones graves.

Guarde todas las indicaciones de seguridad e instrucciones para que sirvan de futura referencia.

El término «herramienta eléctrica» empleado en las indicaciones de seguridad hace referencia a herramientas eléctricas conectadas a la red eléctrica (con un cable de red) o a herramientas eléctricas alimentadas con batería (sin cable de red).

1 SEGURIDAD EN EL LUGAR DE TRABAJO

- a. **Mantenga su zona de trabajo limpia y bien iluminada.** El desorden o la falta de iluminación en las zonas de trabajo pueden dar lugar a accidentes.
- b. **No trabaje con la herramienta eléctrica en entornos potencialmente explosivos donde se encuentren líquidos, gases o polvos inflamables.** Las herramientas eléctricas producen chispas que pueden inflamar el polvo o los vapores.
- c. **Mantenga a niños y adultos alejados de la herramienta eléctrica durante el uso.** Si se distrae, puede perder el control de la herramienta eléctrica.

2 SEGURIDAD ELÉCTRICA

- a. **El conector de la herramienta eléctrica debe encajar en el enchufe. El conector no debe modificarse en modo alguno. No utilice conectores adaptadores con herramientas eléctricas con puesta a tierra.** Unos conectores intactos y unos enchufes adecuados reducen el riesgo de descarga eléctrica.
- b. **Evite el contacto físico con superficies con puesta a tierra como las de tuberías, calefacciones, cocinas y frigoríficos.** Existe un riesgo elevado de descarga eléctrica si su cuerpo está en contacto con la tierra.
- c. **Mantenga las herramientas eléctricas lejos de la lluvia y la humedad.** La penetración de agua en una herramienta eléctrica aumenta el riesgo de descarga eléctrica.
- d. **No utilice el cable de conexión para transportar o colgar la herramienta eléctrica ni para extraer el conector del enchufe. Mantenga el cable de conexión alejado del calor, aceite, cantos afilados o piezas en movimiento.** Los cables de conexión dañados o enredados aumentan el riesgo de descarga eléctrica.
- e. **Si trabaja con una herramienta eléctrica al aire libre, utilice únicamente alargadores aptos para el uso en exteriores.** El empleo de alargadores aptos para el uso en exteriores reduce el riesgo de descarga eléctrica.
- f. **Cuando sea inevitable el uso de la herramienta eléctrica en un entorno húmedo, utilice un interruptor diferencial.** El uso de un interruptor diferencial reduce el riesgo de que se produzca una descarga eléctrica.

3 SEGURIDAD DE LAS PERSONAS

- a. **Sea cuidadoso, preste atención a lo que está haciendo y actúe con prudencia al trabajar con herramientas eléctricas. No utilice ninguna herramienta eléctrica si está cansado o bajo los efectos de drogas, alcohol o medicamentos.** Una mínima distracción mientras está utilizando la herramienta eléctrica puede ocasionarle graves lesiones.
- b. **Lleve puesto el equipo de protección individual y utilice gafas de protección en todo momento.** El empleo del equipamiento de protección personal como p. ej. mascarilla, guantes de seguridad antideslizantes, casco o protección de oídos, según el tipo y la aplicación de la herramienta eléctrica, reduce el riesgo de lesiones.
- c. **Evite un arranque accidental de la herramienta. Asegúrese de que está desconectada antes de conectarla al suministro de corriente o la batería, recogerla o transportarla.** Existe peligro de accidente si transporta la herramienta eléctrica con el dedo sobre el interruptor o si conecta la herramienta eléctrica a la red estando encendida.
- d. **Retire las herramientas de ajuste y las llaves de tornillos antes de conectar la herramienta eléctrica.** Si una herramienta o llave se encuentra en una pieza en movimiento de la herramienta eléctrica, pueden producirse lesiones.
- e. **Evite una postura anormal del cuerpo. Procure un apoyo seguro y mantenga el equilibrio en todo momento.** De esta manera podrá controlar mejor la herramienta eléctrica en situaciones inesperadas.
- f. **Utilice ropa adecuada. No utilice ropa ancha ni objetos de joyería o bisutería. Mantenga el pelo y la ropa alejados de las piezas en movimiento.** La ropa holgada, las joyas o el pelo largo pueden quedar atrapados por piezas en movimiento.
- g. **Si se montan dispositivos de aspiración o recogida de polvo, estos deberán conectarse y utilizarse correctamente.** El empleo de un sistema de aspiración del polvo puede disminuir los peligros a causa del polvo.
- h. **No se cree un falso sentido de la seguridad ni ignore las normas de seguridad de las herramientas eléctricas, ni siquiera si está muy familiarizado con el uso de la herramienta.** Una distracción durante el ma-

nejo puede derivar en graves lesiones en cuestión de pocas fracciones de segundo.

4 USO Y MANEJO DE LA HERRAMIENTA ELÉCTRICA

- a. **No sobrecargue la herramienta eléctrica. Utilice la herramienta eléctrica adecuada para el trabajo que va a realizar.** Con la herramienta apropiada trabajará mejor y más seguro en el rango de potencia especificado.
- b. **No utilice ninguna herramienta eléctrica cuyo interruptor esté defectuoso.** Una herramienta eléctrica que no se pueda conectar o desconectar resulta peligrosa y es necesario repararla.
- c. **Extraiga el conector del enchufe o retire la batería extraíble antes de efectuar los ajustes de la herramienta, cambiar piezas o guardar la herramienta eléctrica.** Esta medida de seguridad impide el arranque accidental de la herramienta eléctrica.
- d. **Mantenga las herramientas eléctricas que no esté utilizando fuera del alcance de los niños. No permita que la herramienta eléctrica sea utilizada por personas que no estén familiarizadas con ella o no hayan leído las presentes indicaciones.** Las herramientas eléctricas en manos inexpertas pueden ser peligrosas.
- e. **Trate las herramientas eléctricas y las herramientas intercambiables con cuidado. Compruebe si las partes móviles funcionan correctamente y no se atascan, y si hay piezas rotas o tan deterioradas que podrían mermar el funcionamiento de la herramienta eléctrica. Haga reparar las piezas deterioradas antes de usar la herramienta eléctrica.** Muchos accidentes tienen su origen en un mantenimiento deficiente de las herramientas eléctricas.
- f. **Mantenga las herramientas cortantes limpias y afiladas.** Las herramientas cortantes bien cuidadas con aristas de corte afiladas se atascan menos y se guían más fácilmente.
- g. **Utilice la herramienta eléctrica, las herramientas intercambiables, etc., de acuerdo con estas instrucciones. Para ello, tenga en cuenta las condiciones de trabajo y la actividad que debe realizar.** El uso de herramientas eléctricas en aplicaciones diferentes a las previstas puede dar lugar a situaciones peligrosas.

- h. **Mantenga las superficies de agarre y los mangos secos, limpios y libres de aceite y grasa.** Un mango o unas superficies de agarre resbaladizos no permiten un manejo y control seguros de la herramienta eléctrica en situaciones imprevistas.

5 SERVICIO

- a. **Encargue la reparación de su herramienta eléctrica únicamente a personal técnico cualificado y solo con piezas de recambio originales.** De esta forma queda garantizada la seguridad de la herramienta eléctrica.
- b. **Utilice exclusivamente piezas originales para la reparación y el mantenimiento de la herramienta.** El uso de accesorios o piezas de recambio no previstos puede producir descargas eléctricas o lesiones.

3.2 Indicaciones de seguridad específicas

- **Sujete la herramienta eléctrica únicamente por las zonas de agarre aisladas, ya que la fresa podría entrar en contacto con el cable de conexión.** El contacto con una conducción de corriente puede poner bajo tensión también las piezas metálicas de la máquina y provocar una descarga eléctrica.
- **Fije y asegure la pieza de trabajo a una base estable por medio de mordazas o un dispositivo similar.** Si sostiene la pieza de trabajo únicamente con la mano o la apoya contra el cuerpo, aumentará su inestabilidad, así como el riesgo de perder el control sobre la pieza.
- **En la herramienta eléctrica solo pueden montarse fresas ofertadas por Festool para ello.** Está prohibido utilizar otras fresas, pues el riesgo de sufrir lesiones es elevado.
- **No debe excederse el número de revoluciones indicado en la herramienta, es decir, debe observarse la gama de revoluciones.** Cualquier accesorio que gire más rápidamente de lo admisible puede romperse y salir volando de forma descontrolada.
- **Esperar a que la herramienta eléctrica esté completamente parada antes de guardarla.** La herramienta podría engancharse, lo que podría causar la pérdida de control de la herramienta eléctrica.
- Si se tiene previsto trabajar con materiales que se cargan o podrían cargarse de energía estática, debe utilizarse un sistema con capacidad de descarga compuesto de un

tubo flexible de aspiración antiestático y un sistema móvil de aspiración.

- Sujetar solo herramientas con el diámetro de vástago para el que ha sido concebido la pinza.
- Deben utilizarse únicamente herramientas conformes con la norma EN 847-1. Todas las herramientas de fresado de Festool cumplen estos requisitos.
- Cerciorarse de que la fresa esté bien asentada y comprobar que marche correctamente.
- La pinza de sujeción y la tuerca de racor no pueden presentar daños.
- No pueden utilizarse fresas fisuradas o que presenten alteraciones en su forma.



Es imprescindible utilizar los equipos de protección personal adecuados: protección para los oídos, gafas de protección, mascarilla para los trabajos que generan polvo, guantes de protección al trabajar con materiales rugosos y para cambiar de útil.

3.3 Trabajos con aluminio

Al trabajar con aluminio deberá tener presente las siguientes medidas por motivos de seguridad:

- Preconectar un interruptor diferencial (FI, PRCD).
- Conectar la herramienta eléctrica a un aspirador apropiado con tubo flexible de aspiración antiestático.
- Limpiar la herramienta eléctrica periódicamente para eliminar el polvo acumulado en la carcasa del motor.



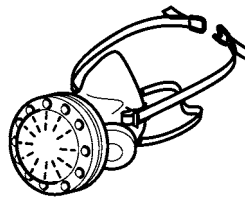
Utilizar gafas de protección.

3.4 Riesgos para la salud producidos por el polvo

ADVERTENCIA! algunos polvos creados por lijadoras motorizadas, aserraderos, trituradores, perforadoras y otras actividades de construcción contienen sustancias químicas que se sabe (en el Estado de California) causan cáncer, defectos de nacimiento u otros daños al sistema reproductivo. Algunos ejemplos de estas sustancias químicas son:

- Plomo de las pinturas con base de plomo
- Sílice cristalino de los ladrillos y cemento y otros productos de mampostería, y

- Arsénico y cromo de madera tratada con sustancias químicas



El riesgo de exposición a estas sustancias varía, dependiendo de cuantas veces se hace este tipo de trabajo. Para reducir el contacto con estas sustancias químicas:

trabaje en un área con buena ventilación y trabaje con equipo de seguridad aprobado, como mascarillas para el polvo diseñadas específicamente para filtrar partículas microscópicas.



ADVERTENCIA

PARA REDUCIR EL RIESGO DE LESIÓN, EL USUARIO DEBE LEER EL MANUAL DE INSTRUCCIÓN.

4 Uso conforme a lo previsto

La fresadora está concebida para fresar madera, plásticos y materiales similares a la madera.

Si se utilizan las herramientas de fresar especificadas en la documentación de venta de Festool, también pueden mecanizarse aluminio y cartón yeso.

Esta herramienta eléctrica solo debe ser utilizada por personal especializado o por personas que hayan recibido la formación adecuada.



El usuario será responsable de cualquier utilización indebida.

5 Datos técnicos

Fresadora	OF 2200 EB-F
Corriente nominal	15 A
Número de revoluciones	10000–22000 min ⁻¹
N.º de revoluciones máx. (marcha en vacío)	23000 min ⁻¹
Ajuste rápido de la profundidad	3-5/32" (80 mm)
Ajuste fino de la profundidad	25/32" (20 mm)
Rosca de conexión del árbol de accionamiento	M22 x 1.0

Fresadora	OF 2200 EB-F
Diámetro de la fresa	máx. 3-1/2" (89 mm)
Peso según procedimiento EPTA 01:2014:	18.3 lbs (8.3 kg)

6 Componentes de la herramienta

- [1-1] Rueda de ajuste fino
- [1-2] Escala de ajuste fino
- [1-3] Botón giratorio de ajuste de altura
- [1-4] Escala tope de profundidad
- [1-5] Tope de profundidad con indicador
- [1-6] Palanca de apriete de tope de profundidad
- [1-7] Disco excéntrico para acoplar el tope de profundidad y el tope de nivel
- [1-8] Tope de nivel
- [1-9] Palanca de mando para cambio de banda de rodadura
- [1-10] Bloqueo del husillo
- [1-11] Rueda de ajuste de n.º de revoluciones
- [2-1] Botón de bloqueo de interruptor de conexión y desconexión
- [2-2] Interruptor de conexión y desconexión
- [2-3] Palanca de bloqueo de caperuza de protección
- [2-4] Empuñaduras
- [2-5] Racor de aspiración

Las imágenes de la descripción del funcionamiento se encuentran en una página desplegable al principio del manual de instrucciones. Al leer el manual se puede desplegar la página para comparar y consultar las imágenes.

Los accesorios representados o descritos no forman parte íntegra de la dotación de suministro.

7 Puesta en servicio



ADVERTENCIA

Tensión o frecuencia no permitida

Peligro de accidente

- ▶ La tensión de red y la frecuencia de la red eléctrica deben coincidir con los datos que figuran en la placa de tipo.
- ▶ En Norteamérica solo pueden utilizarse las máquinas Festool con una tensión de 120 V/60 Hz.

7.1 Cable de prolongación

Si se necesita un cable de prolongación, este debe tener una sección transversal suficiente para evitar una caída excesiva de voltaje o un sobrecalentamiento. Una caída excesiva de voltaje reduce la potencia y puede ocasionar un fallo del motor. La siguiente tabla muestra el diámetro correcto del cable para esta herramienta en función de su longitud.

Dimensiones del cable en AWG

Amperaje de la herramienta	Longitud del cable en pies			
	25	50	100	150
3-6	18	16	16	14
6-8	18	16	14	12
8-10	18	16	14	12
10-12	16	16	14	12
12-16	14	12	-	-

Dimensiones del cable en mm²

Amperaje de la herramienta	Longitud del cable en metros			
	15	30	60	120
3-6	0.75	0.75	1.5	2.5
6-8	0.75	1.0	2.5	4.0
8-10	0.75	1.0	2.5	4.0
10-12	1.0	2.5	4.0	-
12-16	-	-	-	-

Usar solo cables de prolongación contemplados por el estándar NRTL.

No utilizar nunca dos cables de prolongación juntos. Utilizar uno largo en su lugar.

- ⓘ Cuanto más bajo sea el número AWG, más fuerte será el cable.

7.2 Encendido y apagado

El interruptor **[2-2]** sirve como interruptor de conexión y desconexión (presionar = CONECTADO, soltar = DESCONECTADO).

Para un funcionamiento permanente se puede bloquear el interruptor de conexión y desconexión con el botón de bloqueo **[2-1]**. Al presionar de nuevo el interruptor de conexión y desconexión, el bloqueo se suelta.

8 Ajustes



ADVERTENCIA

Peligro de lesiones y electrocución

- Desconectar el enchufe de la red antes de realizar cualquier trabajo en la máquina.

8.1 Sistema electrónico

Regulación del número de revoluciones

El número de revoluciones puede ajustarse con la rueda de ajuste **[1-11]** de modo continuo dentro de la gama de revoluciones (véanse los Datos técnicos).

De este modo puede adaptar la velocidad de corte de manera óptima a cada material.

Material	Diámetro de fresa			material de corte recomendado
	3/8" – 1-3/16"	1-3/16" – 2"	2" – 3-1/2"	
	10 - 30 mm	30 - 50 mm	50 - 89 mm	

Nivel de la rueda de ajuste

Madera dura	6 - 4	5 - 3	3 - 1	HW (HSS)
Madera blanda	6 - 5	6 - 4	5 - 3	HSS (HW)
Planchas de madera aglomerada, revestidas	6 - 5	6 - 4	4 - 2	HW
Plástico	6 - 4	6 - 3	3 - 1	HW
Aluminio	3 - 1	3 - 1	2-1	HSS (HW)
Cartón yeso	2 - 1	1	1	HW

Protector contra sobret temperatura

Si el motor alcanza una temperatura excesiva, se reducen la alimentación de corriente y el número de revoluciones. La herramienta eléctrica seguirá funcionando a potencia reducida para permitir que el motor se enfríe rápidamente mediante el sistema de ventilación. Una vez enfriada, la herramienta eléctrica arranca automáticamente.

Protección contra re arranque

La protección contra re arranque integrada impide que la herramienta eléctrica se vuelva a poner en funcionamiento de forma automática tras una caída de la tensión si el interruptor de conexión y desconexión está accionado. En ese caso, la herramienta eléctrica debe desconectarse y volver a conectarse.

La herramienta eléctrica no puede conectarse ni desconectarse mediante un módulo de conmutación externo a causa de la protección contra re arranque incorporada.

Freno

La OF 2200 EB-F cuenta con un freno electrónico. Después de desconectarlo, el husillo con la herramienta se frena electrónicamente en aprox. 2 s hasta que se detiene.

8.2 Cambio de herramienta



PRECAUCIÓN

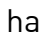
Riesgo de lesiones con herramientas calientes y afiladas

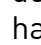
- No utilizar herramientas romas o defectuosas.
- Usar guantes de protección al manejar la herramienta.

Para cambiar la herramienta, colocar la herramienta eléctrica de lado.

El bloqueo del husillo **[3-1]** solo debe accionarse con la herramienta eléctrica apagada.

Inserción de la herramienta

- Insertar tanto como sea posible la herramienta de fresado (**[3-4]** y **[3A-1]**), al menos hasta la marca  del vástago de la fresa, en la pinza de sujeción **[3A-2]** abierta.

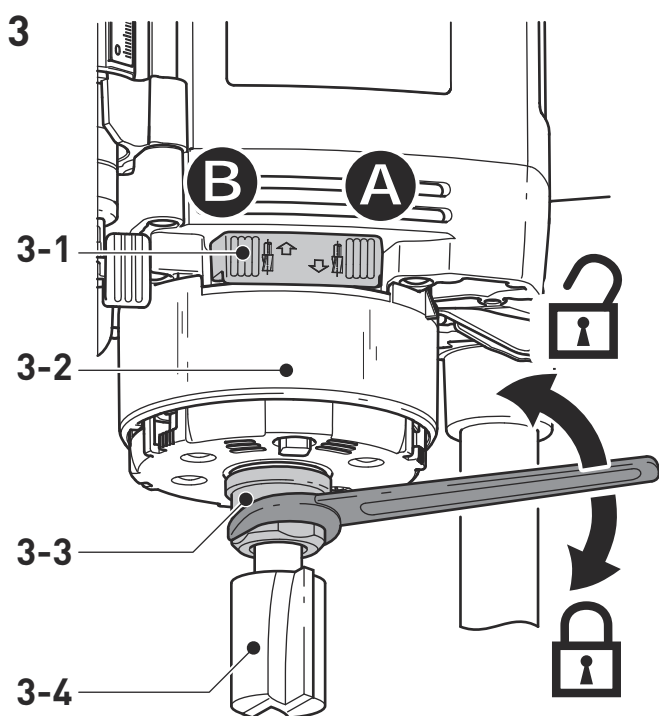
(i) Si la pinza **[3A-2]** no está a la vista a causa de la tuerca de racor **[3A-3]**, la fresadora debe introducirse en la pinza al menos hasta que la marca  no sobresalga más allá de la tuerca de racor.

- Pulsar el interruptor de bloqueo del husillo **[3-1]** en el lado izquierdo **[B]**.

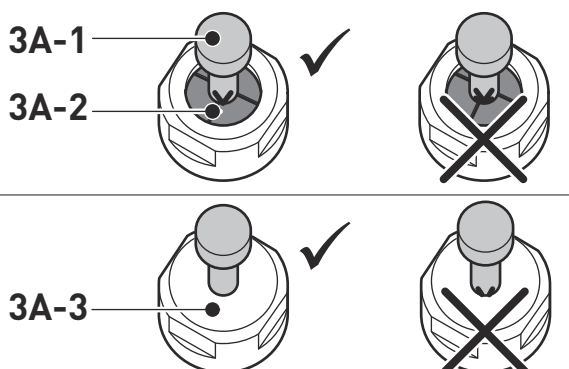
- ▶ Apretar la tuerca de racor **[3-3]** con una llave de boca SW 24.
- ❗ El bloqueo del husillo bloquea el husillo del motor en un solo sentido de giro. Por eso, al abrir y cerrar la tuerca, no es necesario retirar la llave de boca, sino que puede moverse adelante y atrás como si de un trinquete se tratara.

Extracción de la herramienta

- ▶ Subir la caperuza de protección **[3-2]** hasta que quede encajada.
- ▶ Pulsar el interruptor para el bloqueo del husillo **[3-1]** del lado derecho **[A]**.
- ▶ Aflojar la tuerca de racor **[3-3]** con una llave de boca SW 24 hasta percibir una resistencia clara. Superar la resistencia volviendo a girar la llave de boca.
- ▶ Extraer la fresa.



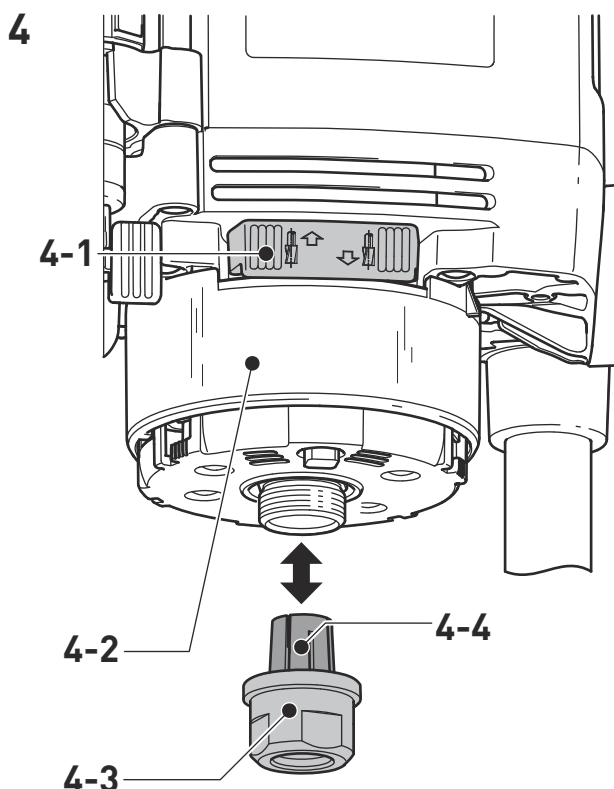
3A



8.3 Cambio de pinza de sujeción

Hay disponibles pinzas de sujeción para los siguientes diámetros de vástago: 1/4" (6.35 mm); 5/16" (8.0 mm); 3/8" (9.53 mm); 1/2" (12.7 mm).

- ▶ Subir la caperuza de protección **[4-2]** hasta que quede encajada.
- ▶ Pulsar el interruptor para el bloqueo del husillo **[4-1]** del lado derecho **[A]**.
- ▶ Desenroscar la tuerca de racor **[4-3]** por completo y retirarla junto con la pinza de sujeción **[4-4]**. No separar nunca la tuerca de racor y la pinza, pues forman una unidad.
- ▶ Colocar una pinza de sujeción nueva en el husillo solo con la tuerca de racor colocada y enclavada.
- ▶ Enroscar ligeramente la tuerca de racor. **¡No apretar si no hay una fresa colocada!**



8.4 Ajuste de la profundidad de fresado

La profundidad de fresado se ajusta en dos pasos:

Ajuste del punto cero

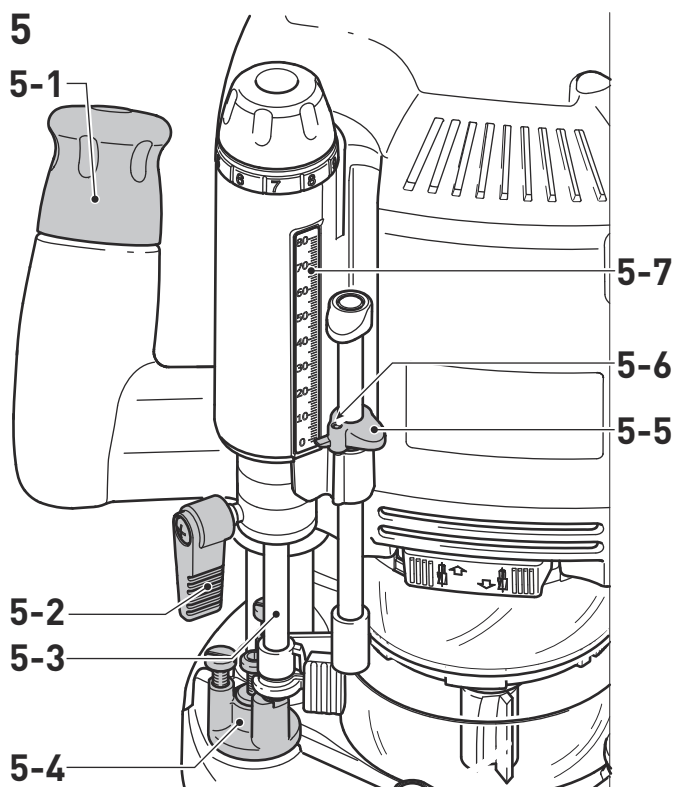
- ▶ Abrir la palanca de apriete **[5-2]** de manera que el tope de profundidad **[5-3]** se mueva con libertad.
- ▶ Colocar la fresadora sobre una base lisa (superficie de referencia). Abrir el botón giratorio **[5-1]** y presionar la herramienta eléctrica hacia abajo hasta que la fresa se apoye en la base.
- ▶ Fijar la herramienta eléctrica en esta posición cerrando el botón giratorio **[5-1]**.
- ▶ Presionar el tope de profundidad **[5-3]** contra uno de los tope fijos del tope de nivel **[5-4]**.

- ▶ Mover el indicador **[5-5]** hacia abajo de manera que apunte a 0" (0 mm) en la escala **[5-7]**.

i Si la posición cero no es correcta, puede corregirse con el tornillo **[5-6]** del indicador.

Con un destornillador pueden ajustarse dos de los tres tope fijos **[7]** (A y B) de forma individual.

i El tope fijo C cuenta con un rebaje para el fresado previo; véase el capítulo 8.5.



Especificar la profundidad de fresado

- ▶ Mover el tope de profundidad **[6-6]** hacia arriba hasta que el indicador **[6-2]** muestre la profundidad de fresado deseada.
- ▶ Fijar el tope de profundidad con la palanca de apriete **[6-3]** en esta posición.
- ▶ Abrir el botón giratorio **[6-1]**.

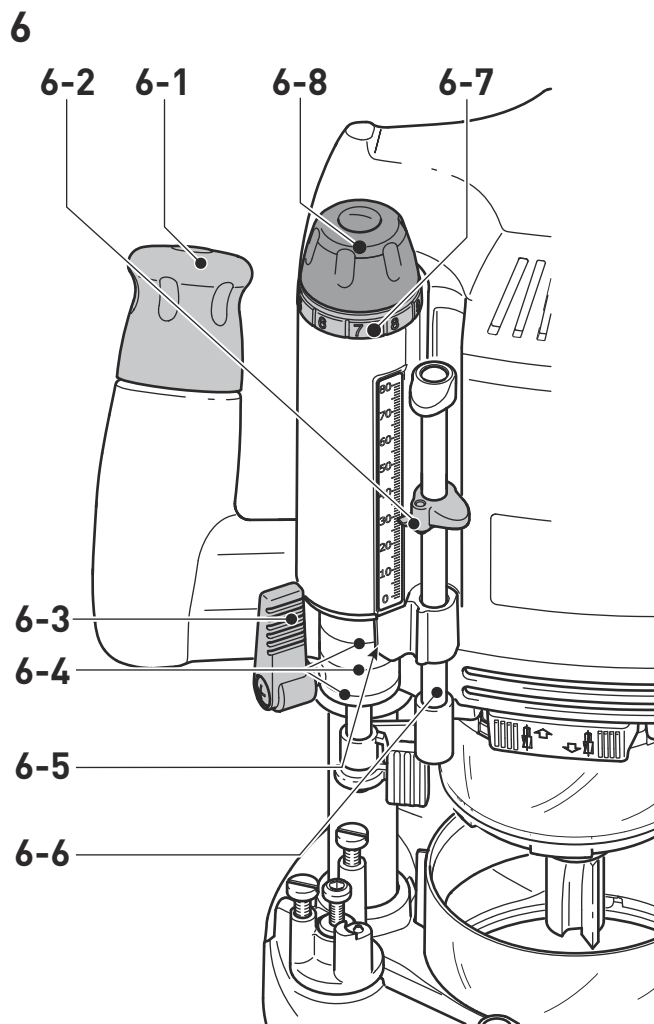
La herramienta eléctrica está en la posición inicial.

- ▶ Si fuera necesario, reajustar la profundidad de fresado girando la rueda de ajuste **[6-8]**.

i Girar la rueda de ajuste una raya cambia la profundidad de fresado en 0.004" (0.1 mm). Una vuelta completa equivale a 1/16" (1 mm).

El anillo graduado **[6-7]** puede girarse por separado para "ponerlo a Cero".

Las tres marcas **[6-4]** del borde **[6-5]** muestran el margen de ajuste máximo de la rueda de ajuste (3/4" (20 mm)) y la posición central.



8.5 Fresado previo/fino

El tope fijo C cuenta con dos niveles de tope con una diferencia de altura de 1/16" (2 mm). Esto permite fresar la profundidad de fresado ajustada con el tope C en dos pasos:

Fresado previo

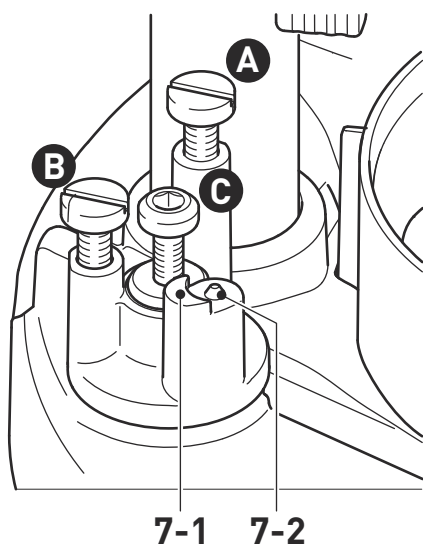
- ▶ Bajar la herramienta eléctrica hasta el nivel de tope **[7-1]**.

Fresado de acabado

- ▶ Bajar la herramienta eléctrica hasta el nivel de tope **[7-2]**.

- ❗ De esta manera, pueden llevarse a cabo rápidamente trabajos de fresado con gran profundidad y, aún así, obtenerse una buena calidad superficial. La profundidad de fresado definitiva se determina mediante el ajuste del nivel de tope [7-2].

7



8.6 Ajuste fino para el tratamiento de cantos

Para utilizar fresadoras con cojinetes de arrastre, la herramienta eléctrica dispone de un ajuste fino especial. De esta manera es posible, por ejemplo, ajustar una transición exacta sin rebaje al redondear cantos; véase la figura [8].

8

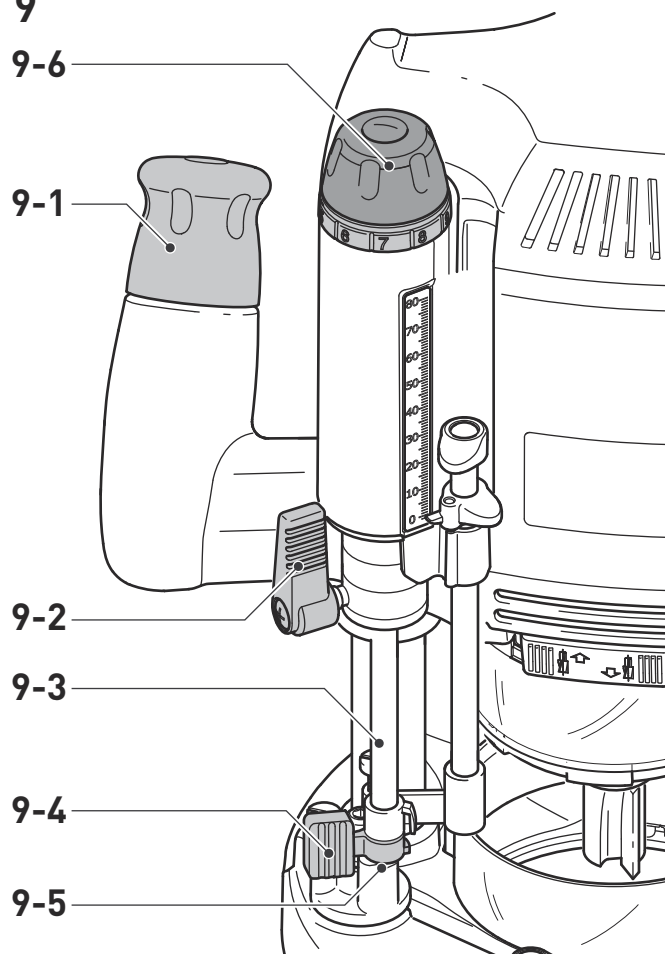


Ajuste de la profundidad de fresado exacta

- ▶ Primero, llevar a cabo un ajuste aproximado de la profundidad de fresado.
 - ▶ Realizar un fresado de prueba.
 - ▶ Abrir la palanca de apriete [9-2].
 - ▶ Presionar el tope de profundidad [9-3] contra el tope fijo C [9-5].
 - ▶ Fijar el tope de profundidad con el disco excéntrico [9-4] en el tope de nivel (girar en sentido horario).
 - ▶ Cerrar la palanca de apriete [9-2].
 - ▶ Abrir el botón giratorio [9-1].
 - ▶ Ajustar la profundidad de fresado exacta girando la rueda de ajuste [9-6].
- ❗ Es posible ajustar la profundidad de fresado en ambas direcciones a causa del acoplamiento del tope de profundidad con el tope de nivel.
- ▶ Cerrar el botón giratorio [9-1].

- ▶ Abrir el disco excéntrico [9-4] (girar hacia la izquierda).
- ▶ Si fuera necesario, realizar más pruebas de fresado y ajustes.

9



8.7 Aspiración



ADVERTENCIA

Consecuencias perjudiciales para la salud a causa del polvo

- ▶ No trabajar nunca sin sistema de aspiración.
- ▶ Trabajar solo si la caperuza de protección [10-2] está operativa.
- ▶ Al realizar trabajos que generan polvo, utilizar protección respiratoria.
- ▶ Observar las disposiciones nacionales.

En el racor de aspiración [10-4] puede conectarse un aparato de aspiración Festool con un tubo flexible de 1-7/16" (36 mm) o 1-1/16" (27 mm) de diámetro (se recomienda 1-7/16" (36 mm), pues el peligro de obstrucción es menor).

Conectar el racor de aspiración [10-4] como se muestra en la figura [10]. El racor de aspiración puede girar en la zona [10-3].

ATENCIÓN. Si no se utiliza una manguera de aspiración antiestática, puede cargarse de

energía estática. El usuario puede sufrir una descarga eléctrica y la electrónica de la herramienta eléctrica puede resultar dañada.

Caperuza de protección

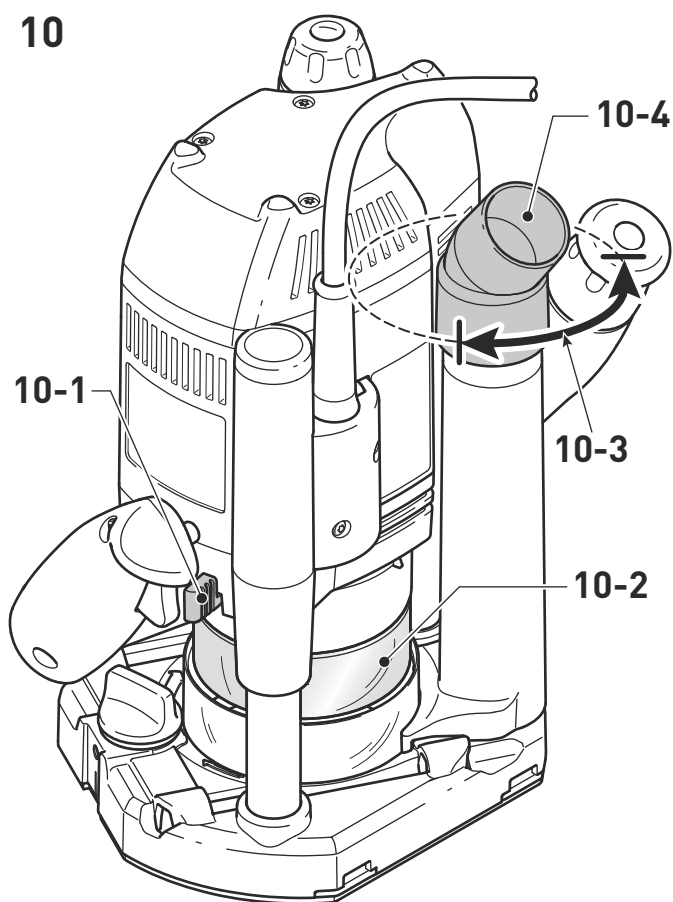
La caperuza de protección [10-2] puede encajarse en una posición superior, por ejemplo, para realizar un cambio de fresa.

- ▶ Subir la caperuza de protección hasta que quede encajada o presionar la herramienta eléctrica hacia abajo hasta el tope.

Para mejorar la efectividad de la aspiración, bajar la caperuza de protección al realizar trabajos.

- ▶ Pulsar la palanca [10-1] en dirección a la empuñadura.

10



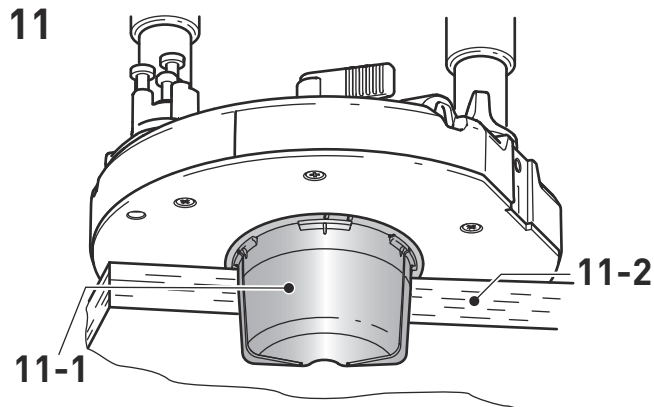
Colector de virutas KSF-0F

Con el colector de virutas KSF-0F [11-1] (accesorio parcial) puede incrementarse la efectividad de la aspiración al fresar cantos. El diámetro máximo posible de la fresa es de 3" (78 mm).

El montaje se realiza igual que la colocación del anillo copiador, véase el capítulo 9.3.

La cubierta puede cortarse con una sierra de arco a lo largo de las ranuras [11-2] y, con ello, reducir su tamaño. El colector de virutas puede utilizarse con radios interiores de mínimo 2" (52 mm).

11



9 Trabajo con la herramienta eléctrica



Durante el trabajo tenga en cuenta todas las indicaciones de seguridad especificadas al principio, así como las siguientes reglas:

- Dirija la herramienta eléctrica hacia la pieza de trabajo solo cuando esté conectada.
- Antes de comenzar con los trabajos, asegurarse de que está cerrada la palanca de apriete [1-6] y abierto el disco excéntrico [1-7].
- Fije la pieza de trabajo siempre de forma que no se pueda mover cuando se trabaje con ella.
- Al trabajar con la herramienta eléctrica, sujetarla **siempre con ambas manos** por las empuñaduras [2-4]. Es imprescindible para trabajar y realizar incisiones con precisión.
- Fresar solo a contramarcha (sentido de avance de la herramienta eléctrica en dirección de corte de la herramienta, figura [15]).

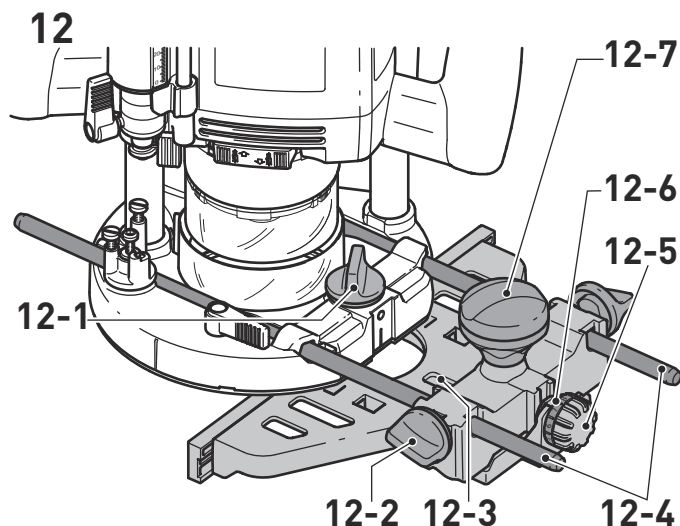
9.1 Fresar

- ▶ Ajustar la profundidad de fresado deseada, véase el capítulo 8.4.
- ▶ Encender la herramienta eléctrica.
- ▶ Abrir el botón giratorio [1-3].
- ▶ Presionar la herramienta eléctrica hacia abajo hasta el tope.
- ▶ Fijar la herramienta eléctrica en esta posición cerrando el botón giratorio [1-3].
- ▶ Realizar la incisión en la pieza de trabajo de forma lenta y uniforme.
- ▶ Realizar los trabajos de fresado.
- ▶ Abrir el botón giratorio [1-3].
- ▶ Mover la herramienta eléctrica lentamente hacia arriba hasta el tope (extraerla).
- ▶ Desconectar la herramienta eléctrica.

9.2 Fresado con tope lateral

El tope lateral (accesorio parcial) se coloca en paralelo al borde de la pieza para realizar trabajos de fresado.

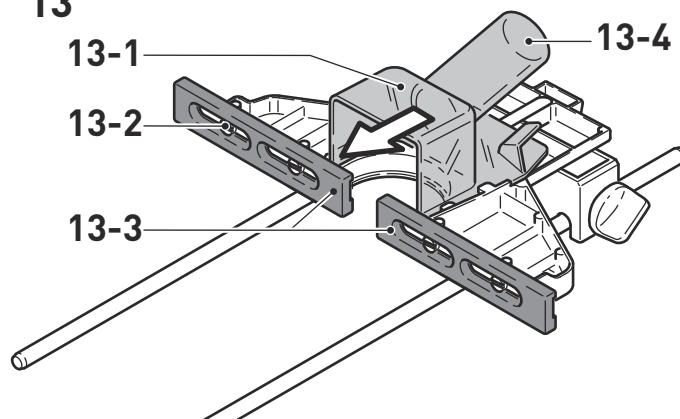
- ▶ Fijar ambas barras guía [12-4] con ambos botones giratorios [12-2] en el tope lateral.
- ▶ Introducir las barras guía en las ranuras de la mesa de fresar hasta la medida deseada y fijarlas con el botón giratorio [12-1].



Ajuste fino

- ▶ Abrir el botón giratorio [12-7] para realizar un ajuste fino con la rueda de ajuste [12-5]. Para ello, el anillo graduado [12-6] tiene una escala de 0.004" (0.1 mm). Si se sujeta la rueda de ajuste, el anillo graduado puede moverse por separado para ponerlo a "cero". La escala [12-3] muestra el ajuste en milímetros.
- ▶ Una vez realizado el ajuste fino, el botón giratorio [12-7] puede cerrarse.
- ▶ Ajustar ambas mordazas de guía [13-3], de manera que su distancia frente a la fresa sea de 7/32" (5 mm) aproximadamente. Para ello, abrir los tornillos [13-2] y volver a cerrarlos después de haber realizado el ajuste.
- ▶ Solo al fresar en el canto: empujar la caperuza de aspiración [13-1] desde detrás hasta que encaje en el tope lateral y, en el racor de aspiración [13-4], conectar un tubo flexible de aspiración con un diámetro de 1-1/16" (27 mm) o 1-7/16" (36 mm). Alternativamente, dejar el tubo flexible de aspiración en el racor de aspiración de la herramienta eléctrica.

13



9.3 Fresado de copias

Para realizar trabajos de fresado con plantillas, la fresadora se utiliza con el anillo copiador montado (accesorios).

- ⓘ Los anillos copiadores se utilizan con la banda de rodadura incluida de serie. Hay disponible como accesorio una banda de rodadura especial para mejorar el apoyo.

Colocación del anillo copiador



PRECAUCIÓN

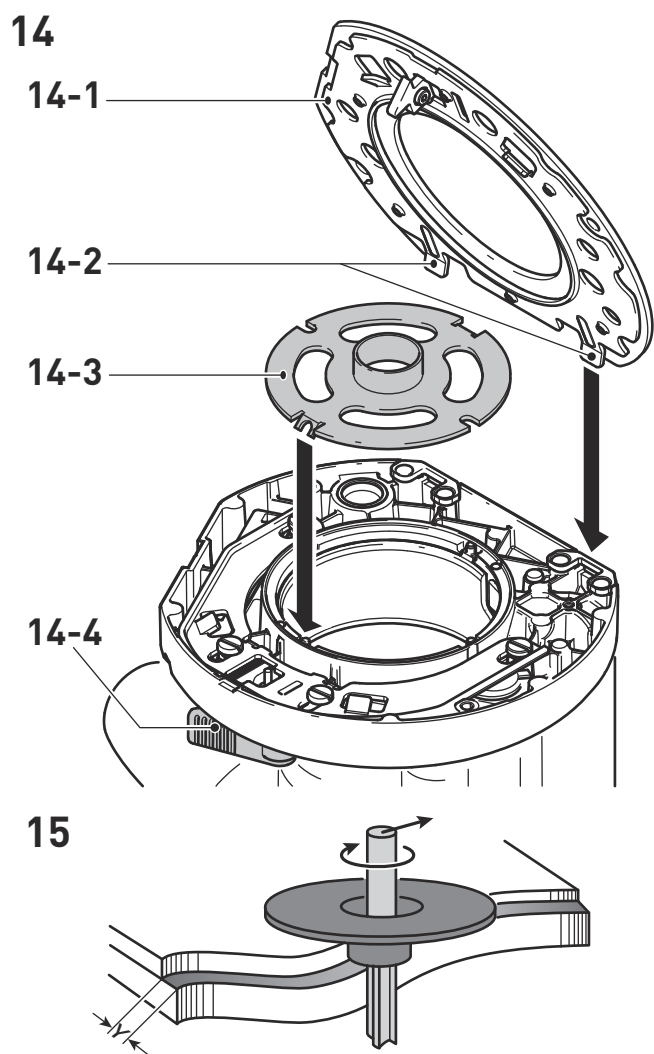
Peligro de accidente

Una herramienta de fresado demasiado grande puede dañar el anillo copiador y provocar accidentes.

- ▶ Asegurarse de que la herramienta de fresado utilizada cabe por el orificio del anillo copiador.
- ▶ Colocar la herramienta eléctrica de lado sobre una base estable.
- ▶ Abrir la palanca [14-4].
- ▶ Retirar la banda de rodadura [14-1].
- ▶ Volver a soltar la palanca [14-4].
- ▶ Colocar el anillo copiador [14-3] en posición correcta en la mesa de fresar.
- ▶ Colocar la banda de rodadura con las lengüetas [14-2] en la mesa de fresar.
- ▶ Presionar la banda de rodadura en la mesa de fresar hasta que encaje.

La medida sobresaliente Y (figura [15]) de la pieza de trabajo con respecto a la plantilla se calcula como se describe a continuación:

$$Y = (\varnothing \text{ anillo copiador} - \varnothing \text{ fresa})/2$$



9.4 Tratamiento de cantos

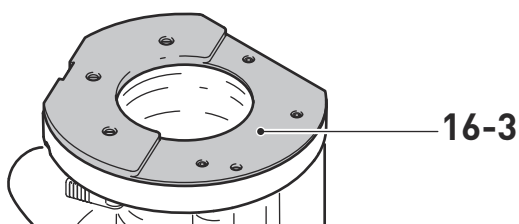
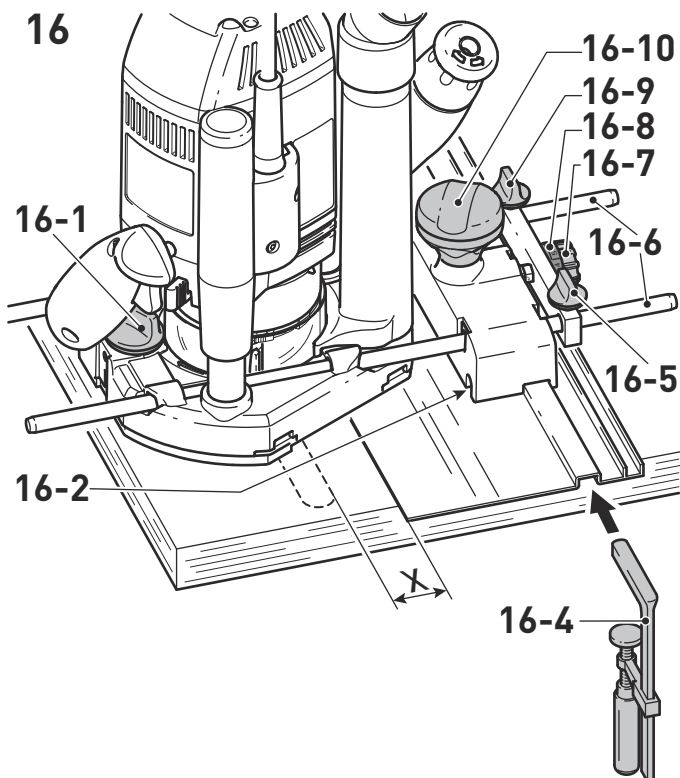
Para el tratamiento de cantos, las herramientas de fresado se colocan con cojinete de arrastre en la herramienta eléctrica. Al hacerlo, la herramienta eléctrica se guía de manera que el cojinete de arrastre gire en la pieza de trabajo. A la hora de tratar cantos, utilizar siempre el colector de virutas KSF-OF para mejorar la aspiración.

9.5 Fresado con sistema de guía FS

El sistema de guía (accesorio parcial) facilita el fresado de ranuras rectas.

- ▶ Fijar el riel de guía en la pieza de trabajo con sargentos [16-4].
- ▶ Colocar la banda de rodadura [16-3] para el tope de guía en la mesa de fresar de la fresadora (véase el capítulo 9.6). Esta banda de rodadura cuenta con un rebaje para compensar la altura del riel de guía.
- ▶ Fijar ambas barras guía [16-6] con los botones giratorios [16-5] y [16-9] en el tope de guía.
- ▶ Abrir el botón giratorio [16-1].
- ▶ Introducir las barras de guía [16-6] en las ranuras de la mesa de fresar.

- ▶ Colocar la fresadora con el tope de guía en el riel de guía.
- ▶ Si fuera necesario, ajustar el juego del tope de guía en el riel de guía girando con un destornillador ambas mordazas de guía [16-2].
- ▶ Mover la fresadora a lo largo las bazas de guía hasta que la herramienta de fresado esté a la distancia deseada con respecto al riel de guía. Asegurarse de que haya una distancia de seguridad X (figura [16]) de $7/32"$ (5 mm) entre el canto delantero del riel de guía y la fresa o la ranura.
- ▶ Cerrar el botón giratorio [16-1].
- ▶ Abrir el botón giratorio [16-10].
- ▶ Ajustar la distancia X de forma precisa girando la rueda de ajuste [16-7]. Sujetar la rueda de ajuste [16-7] para girar la escala [16-8] por separado con el fin de "ponerla a cero".
- ▶ Cerrar el botón giratorio [16-10].



9.6 Cambio de la banda de rodadura

Festool ofrece bandas de rodadura especiales (accesorios) para diferentes aplicaciones.

- ▶ Colocar la herramienta eléctrica de lado sobre una base estable.
- ▶ Abrir la palanca [14-4].

- ▶ Retirar la banda de rodadura [14-1].
- ▶ Volver a soltar la palanca [14-4].
- ▶ Colocar la banda de rodadura con las lengüetas [14-2] en la mesa de fresar.
- ▶ Presionar la banda de rodadura en la mesa de fresar hasta que encaje.

ⓘ En el primer uso de la banda de rodadura: Retirar la hoja protectora.

10 Mantenimiento y limpieza



ADVERTENCIA

Cualquier trabajo de mantenimiento o reparación que requiera abrir el motor o la carcasa del engranaje deberá ser realizado únicamente por un Centro de Atención al Cliente (nombre proporcionado por su concesionario).

- ▶ Los trabajos de mantenimiento o reparación realizados por una persona no autorizada podrían provocar la conexión incorrecta de los conductores de alimentación u otros componentes, lo que a su vez podría provocar accidentes con consecuencias graves.



ADVERTENCIA

Para prevenir los accidentes, antes de realizar cualquier trabajo de mantenimiento o reparación en la máquina retire siempre el enchufe de la toma de corriente.

- ▶ No utilice aire a presión para limpiar las herramientas eléctricas. No intente limpiar las partes internas de la máquina de este modo, ya que podría permitir la entrada de objetos extraños a través de las aperturas de la carcasa de la máquina.



PRECAUCIÓN

Algunos productos de limpieza y disolventes resultan perjudiciales para las piezas de plástico.

- ▶ Algunos de ellos incluyen, entre otros, gasolina, acetona, metiletilacetona (MEK) y oxidocloruro de carbono. Los productos de limpieza normalmente contienen cloro y amoníaco y los productos de limpieza del hogar contienen amoníaco.



El servicio de atención al cliente y de reparaciones solo está disponible a través del fabricante o de los talleres de reparación. Dirección más cercana en: www.festool.es/servicio

servicio



Utilice únicamente piezas de recambio Festool originales. Referencia en: www.festool.es/servicio

La máquina está equipada con escobillas especiales autodesconectables. Si las escobillas están desgastadas, se interrumpe automáticamente la corriente y la máquina se detiene.

Comprobar que todas las advertencias de la herramienta eléctrica sean legibles y estén completas. Reemplazar las advertencias que falten o que no sean legibles.

Tener en cuenta las siguientes advertencias:

- ▶ Cuando sea necesario sustituir el cable de conexión a la red de la herramienta eléctrica, deberá reemplazarlo el fabricante o un taller autorizado para evitar riesgos de seguridad.
- ▶ Los dispositivos de protección y las piezas que presenten daños deben ser reparados o sustituidos conforme a lo prescrito por un taller especializado autorizado, a menos que se especifique de otro modo en el manual de instrucciones.
- ▶ Con el fin de garantizar una correcta circulación del aire, las aberturas para el aire de refrigeración de la carcasa deben mantenerse despejadas y limpias.

11 Accesorios

Utilice únicamente los accesorios Festool originales y el material de consumo Festool diseñados para esta máquina, puesto que los componentes de este sistema están óptimamente adaptados entre sí. La utilización de accesorios y material de consumo de otros fabricantes puede afectar a la calidad de los resultados de trabajo y conllevar una limitación de los derechos de la garantía. El desgaste de la máquina o de su carga personal puede variar en función de la aplicación. Utilice únicamente accesorios originales y material de consumo de Festool para su propia protección y la de la máquina, así como de los derechos de la garantía.

Los números de pedido para los respectivos accesorios y herramientas se encuentran en su

catálogo Festool o en la dirección de Internet "www.festoolusa.com".

11.1 SYSTAINER

Systainer

Muchos de los productos Festool se entregan en un embalaje exclusivo denominado "Systainer" que sirve de protección a la herramienta y sus complementos, además de facilitar su almacenamiento. Los Systainer pueden apilarse y encajan unos con otros. Además se adaptan sin problema a cualquier aparato de aspiración CT de Festool.

Para abrir el Systainer



Gire el T-loc **[SYS-b-1]** a esta posición.

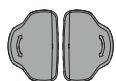
Para cerrar el Systainer



Gire el T-loc **[SYS-b-1]** a esta posición.

Para encajar dos Systainer

Ponga el Systainer sobre un otro **[SYS-a]**.

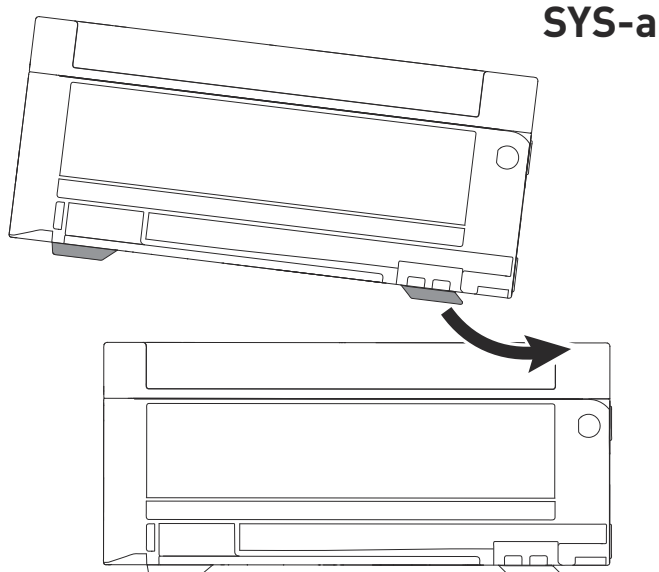


Gire el T-loc **[SYS-b-1]** a una de estas posiciones (Fig. **[SYS-b]**).

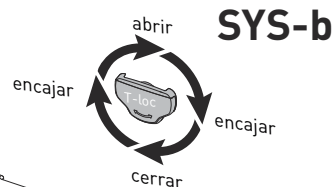
Los Systainers están encajados y cerrados.

i El Systainer Classic Line se puede unir por la parte inferior con un Systainer T-Loc o con un Systainer³ por medio de sus cuatro enclavamientos

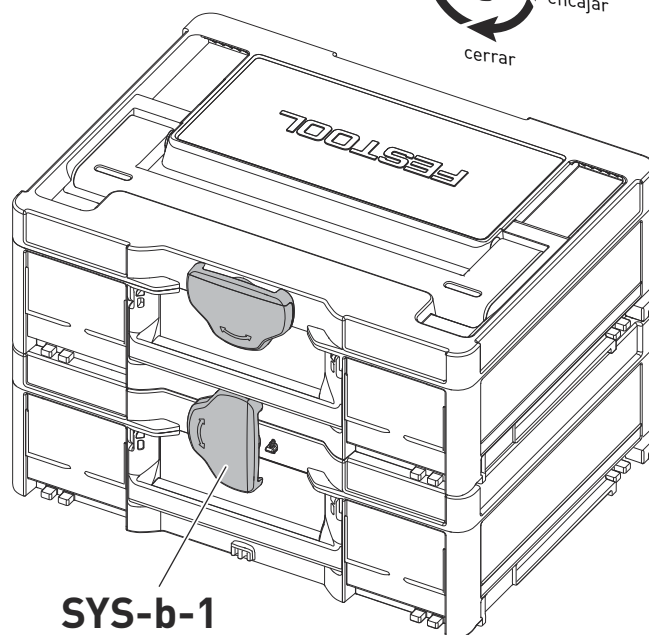
El Systainer T-Loc se puede unir por abajo o por arriba con un Systainer³.



SYS-a



SYS-b



SYS-b-1

12 Medio ambiente

No deseche la herramienta junto con los residuos domésticos. Recicle las herramientas, accesorios y embalajes de forma respetuosa con el medio ambiente. Respete la normativa vigente del país.