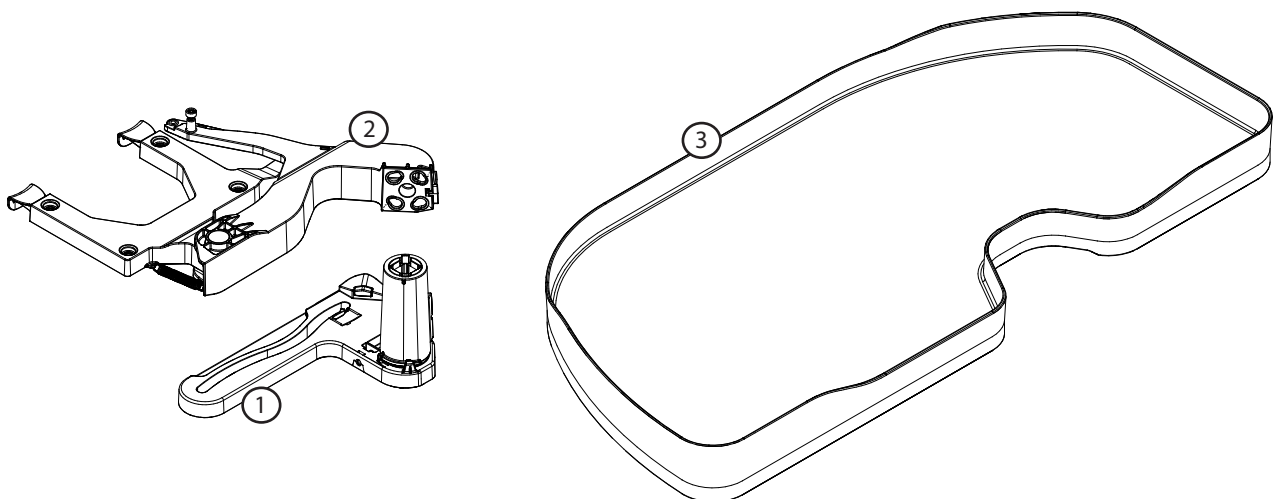
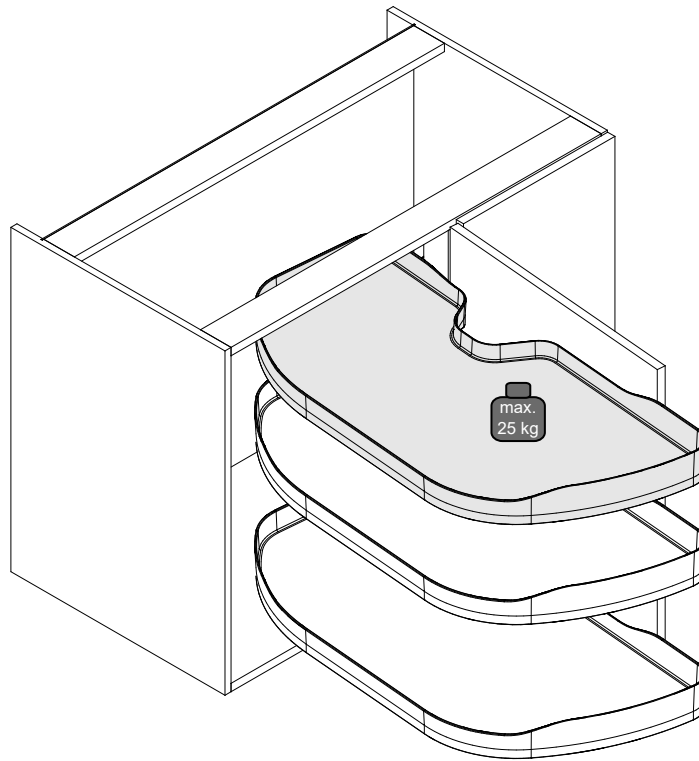
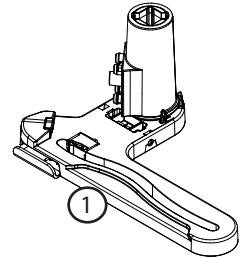
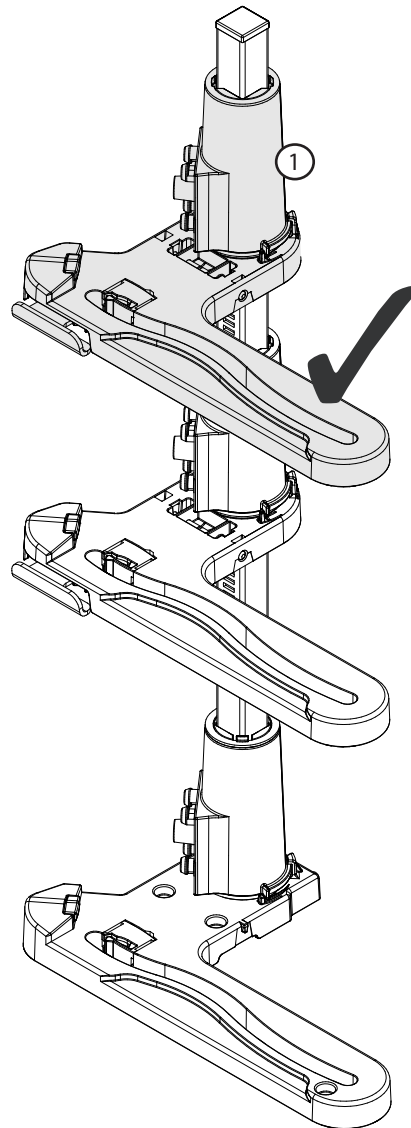
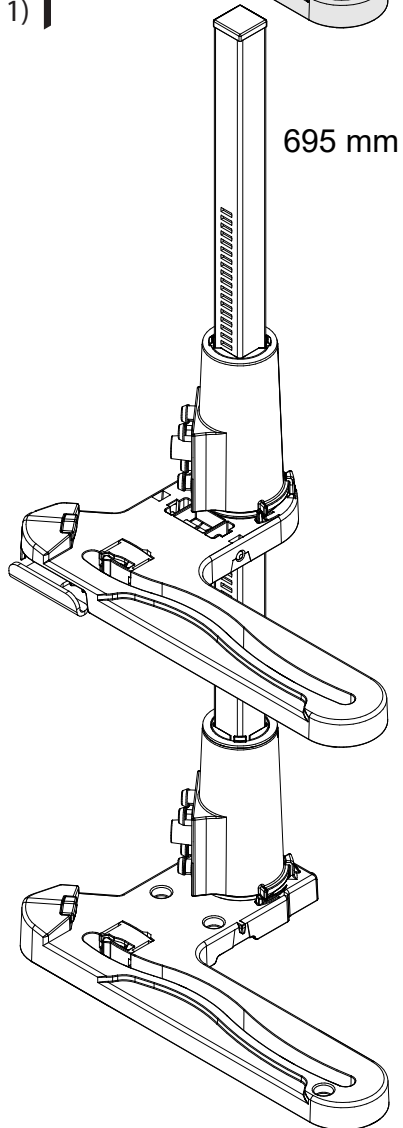
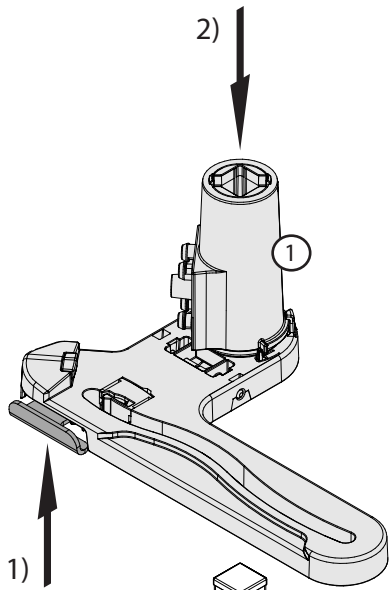
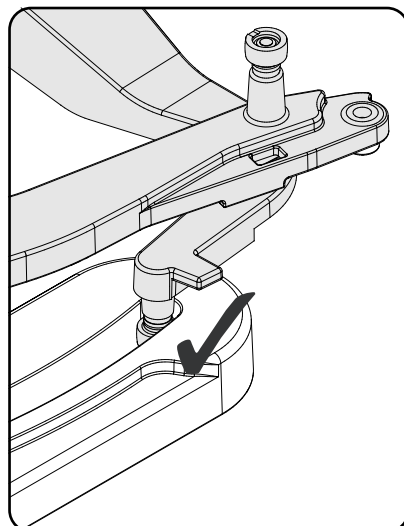
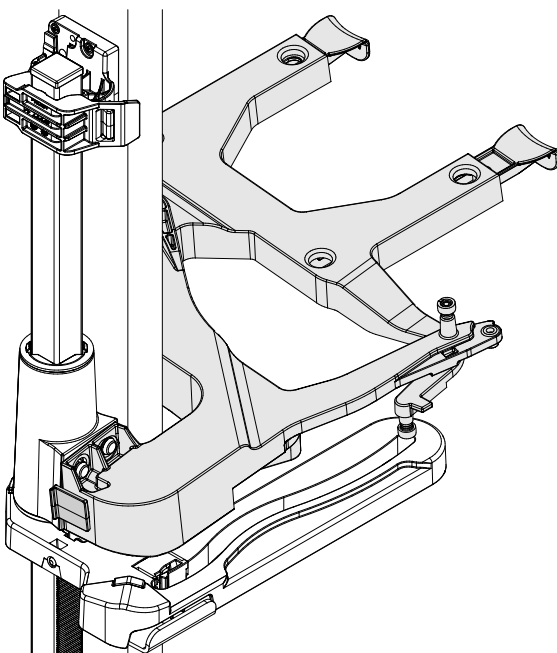
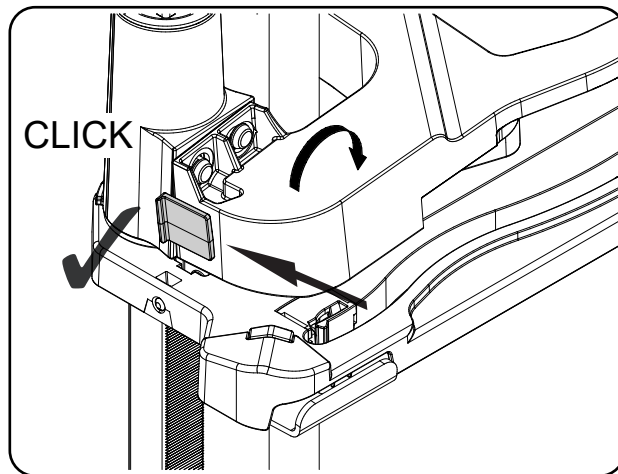
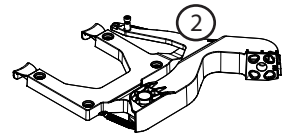
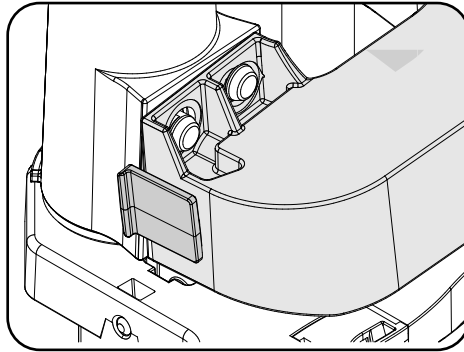
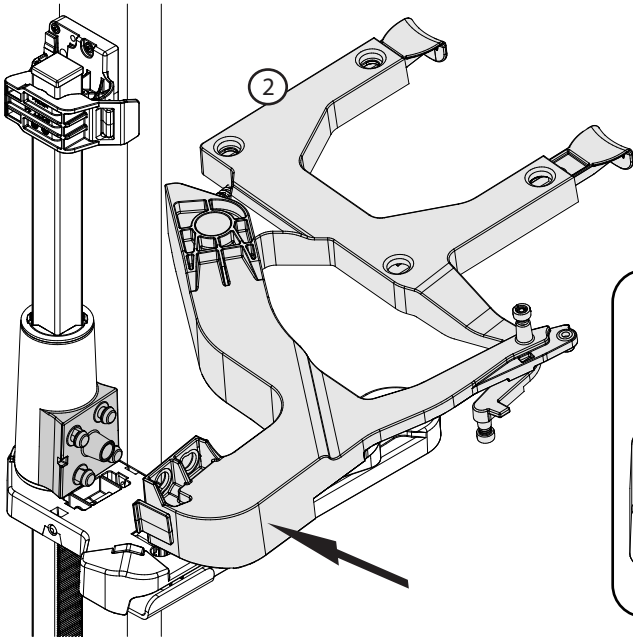
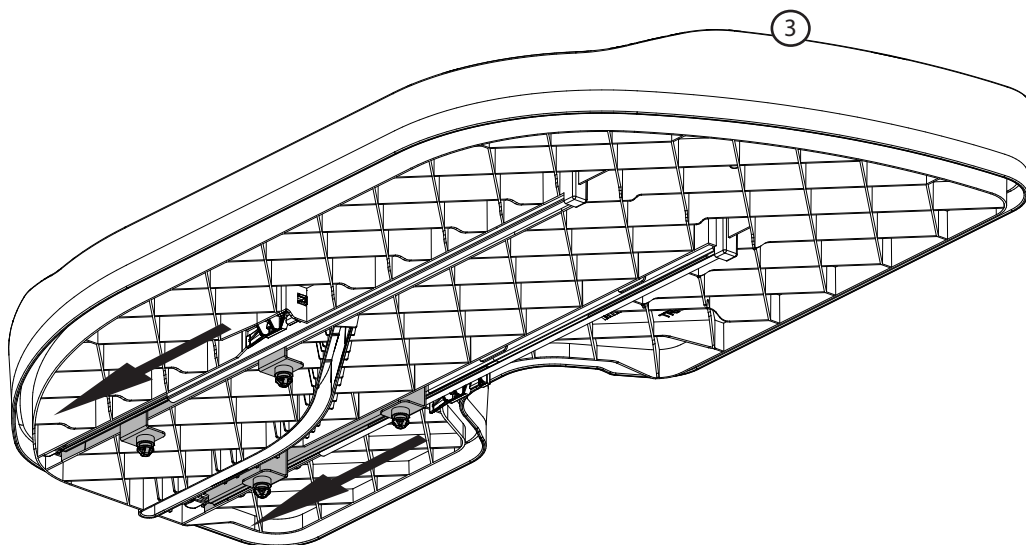
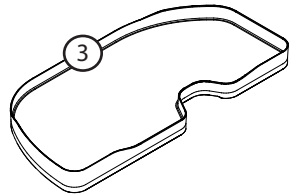
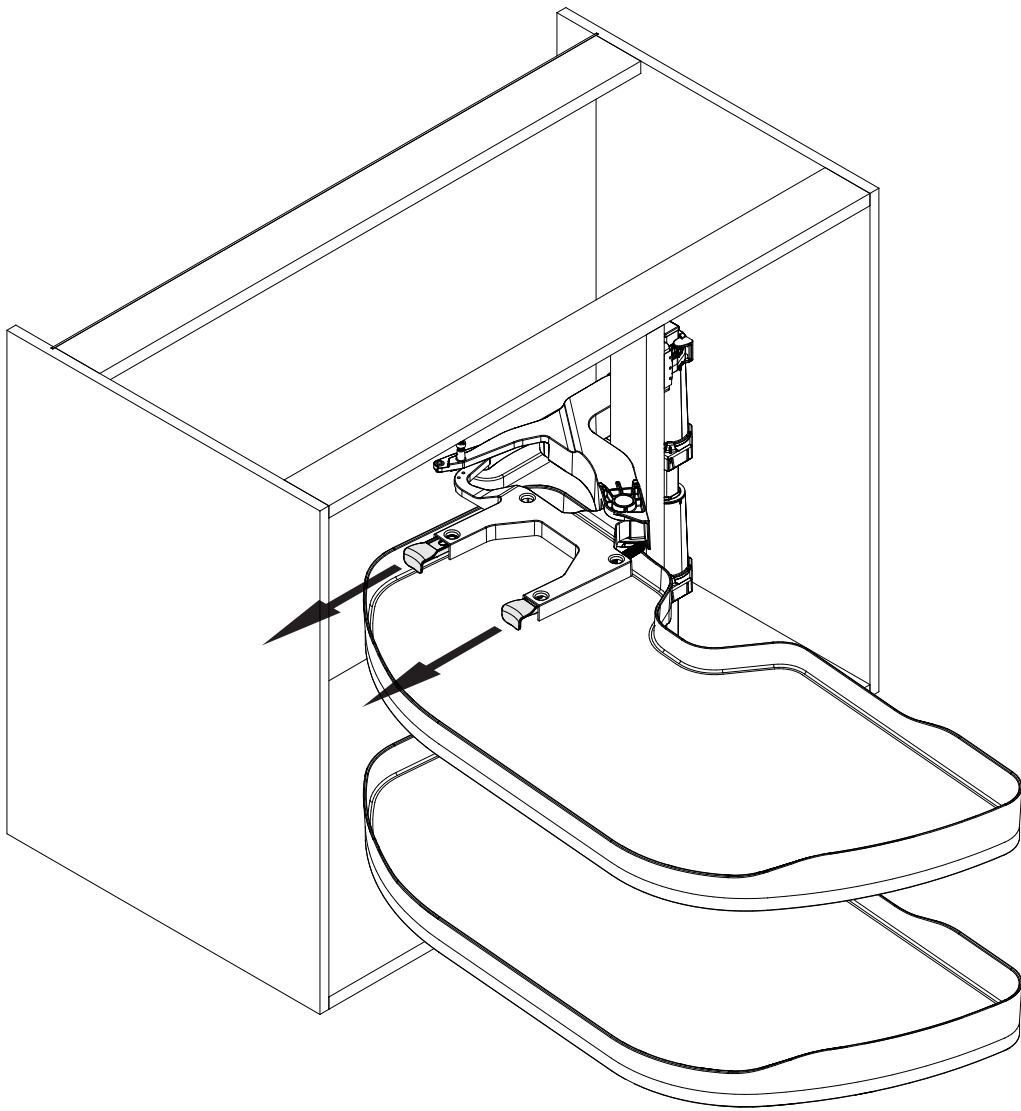


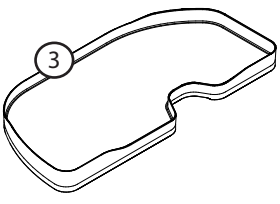
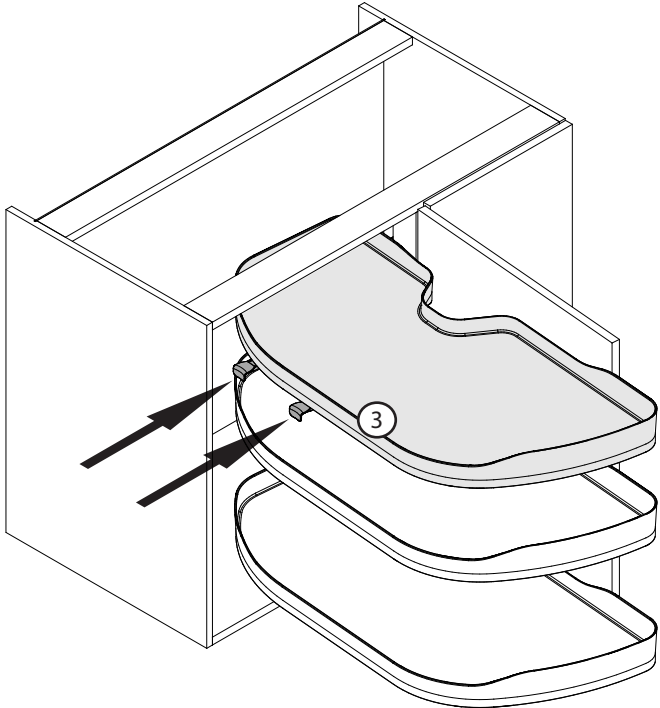
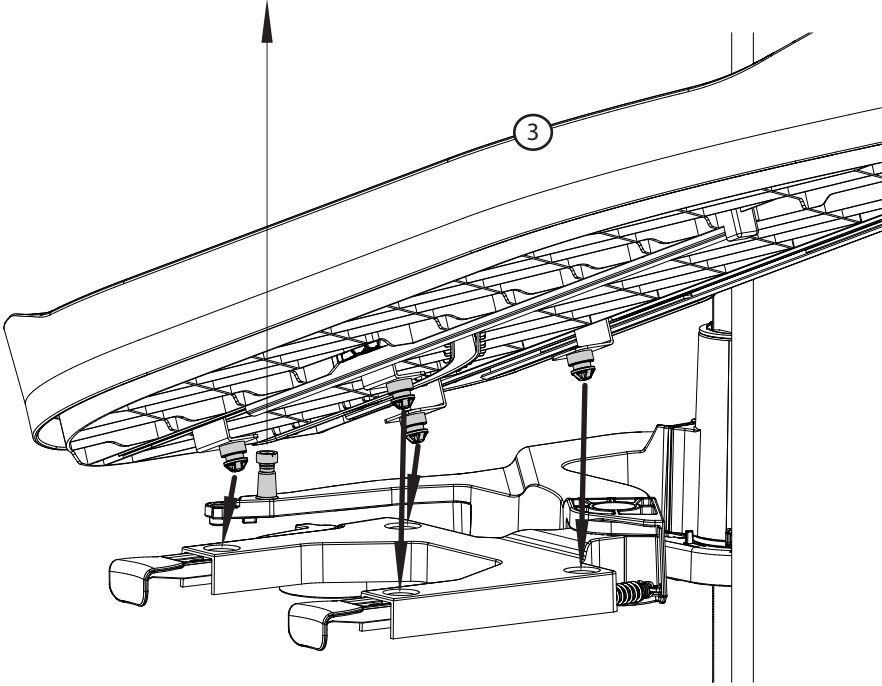
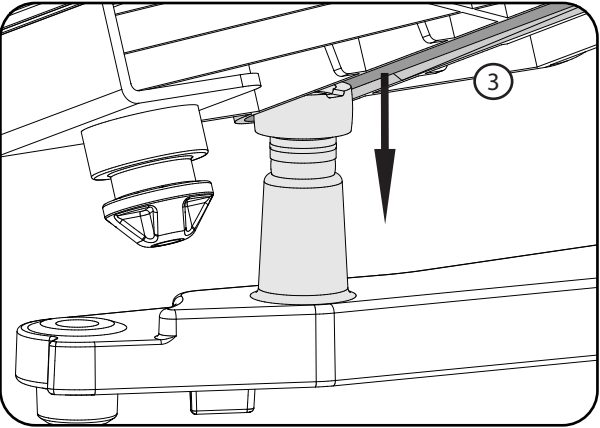
**Montageanleitung für dritten Dreh-Schub-Boden**  
**Mounting instruction for third tray**  
**Instructions de montage pour le troisième plateau tournant extractible**  
**Istruzioni di montaggio per la terza cesto girevole estraibile**











---

---

---

---

---

---

---

---

---

---

---

---

---

---

---

---

---

---

---

---

---

---

---

---

---

---

---

---

---

---

---

---

---

---

---

---

---

---

---

---

---

---

---

---

---

---

---

---

***ninka***<sup>®</sup>  
Ideen gestalten die Zukunft.