



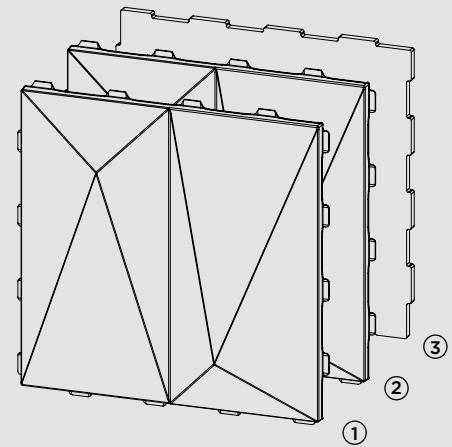
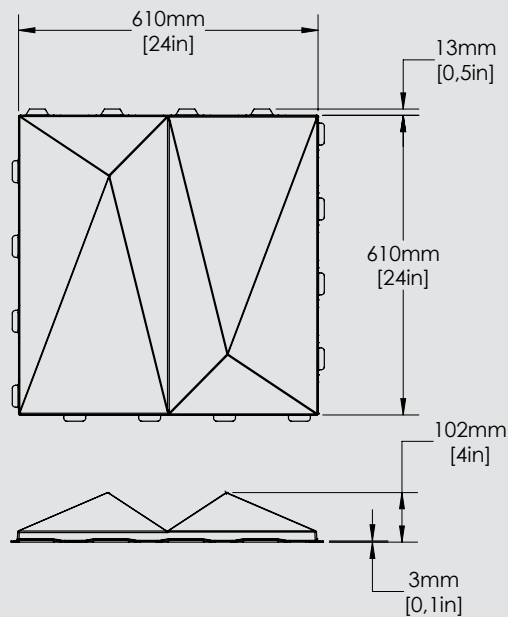
2021 Lauréat Platine
GRANDS PRIX
DU DESIGN

Photo credit: Stéphane Groleau



CRYSTAL


REGULAR INSTALLATION



COMPOSITION

- ① Fabric and color, selected by client
- ② Acoustic structure: 100% Polyester
- ③ Acoustic Lining: Stone wool

PRODUCT INFORMATION

	Dimensions W x H	Thickness	Acoustic Surface Area	Product Code [†]	Walls & Ceilings	ACG [*]	Baffles ^{**}	Clouds ^{**}
	24 x 24 in 610 x 610 mm	4 in 102 mm	4 ft ² 0,372 m ²	CRYA-2424-R-X-****-****	●	●	●	●

Perimeter Molding

-  **Artotrim-C1**
ARTC-1144-M-X-0000-0002 • Perimeter molding for full tiles

STANDARD FABRICS

100% polyester
(% of recycled fibres depends on choice of fabric)
For available styles, consult our website.

FLAMMABILITY

ASTM-E-84:
CAN/ULC-S102.2

ACOUSTIC PERFORMANCE^{***}

Noise Reduction Coefficient (Hz)
NRC 0.80

[†]Fabrics

Replace ****-***** with the style number of the fabric, followed by the color number.

^{**}Baffles and Clouds

For available formats, consult our website.

TILE LAYOUT

Need some inspiration? Visit our website, where you will find inspiring projects. For more details on our products and possible layouts, you can contact us or reach out to an authorized local distributor.

*AGC Concealed Grid: Suspended ceiling tiles with concealed supporting grid.

***Results determined through testing by an independent, certified laboratory that was conducted according to industry standards. ASTM C423-09a. Standard test method for sound absorption coefficients by the reverberation room method. ASTM E795 standard practice for mounting test samples during sound absorption tests.

Drawings not to scale. Do not use as template. The information contained in this document is the property of ARTOFIX. Reproduction is prohibited.

PRODUCT SHEET_2023-04

+1.450.646.7555
info@artofix.com

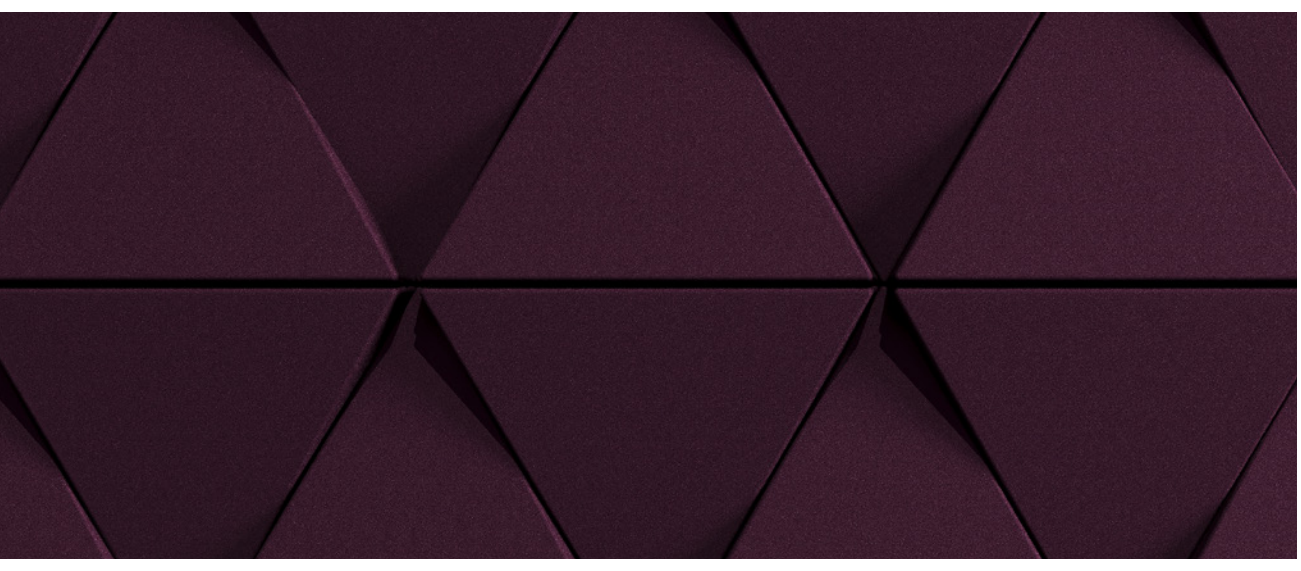
artofix.com

DIAMOND

Architectural Solutions | Tiles

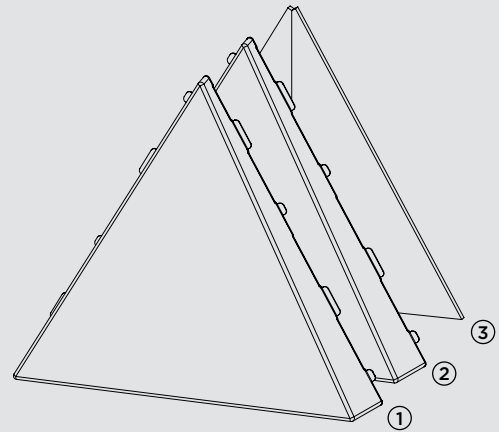
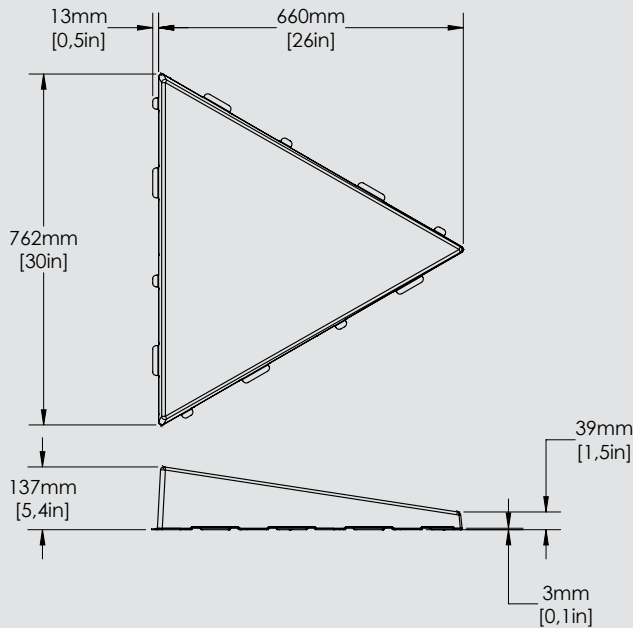


ARTOFIX



DIAMOND


REGULAR INSTALLATION



COMPOSITION

- ① Fabric and color, selected by client
- ② Acoustic structure: 100% Polyester
- ③ Acoustic Lining: Stone wool

PRODUCT INFORMATION

	Dimensions W x H	Thickness	Acoustic Surface Area	Product Code [†]	Walls & Ceilings	ACG*	Baffles**	Clouds**
	30 x 26 in 762 x 660 mm	5,4 in 137 mm	2,71 ft ² 0,252 m ²	DIAA-3026-R-X-****-****	●	-	-	-

Perimeter Molding



Artotrim-C2

ARTC-2144-M-X-0000-0002

- Perimeter molding for full tiles

STANDARD FABRICS

100% polyester
(% of recycled fibres depends on choice of fabric)
For available styles, consult our website.

FLAMMABILITY

ASTM-E-84:
CAN/ULC-S102.2

ACOUSTIC PERFORMANCE***

Noise Reduction Coefficient (Hz)
NRC 0.80

[†]Fabrics

Replace ****-***** with the style number of the fabric, followed by the color number.

**Baffles and Clouds

For available formats, consult our website.

TILE LAYOUT

Need some inspiration? Visit our website, where you will find inspiring projects. For more details on our products and possible layouts, you can contact us or reach out to an authorized local distributor..

*AGC Concealed Grid: Suspended ceiling tiles with concealed supporting grid.

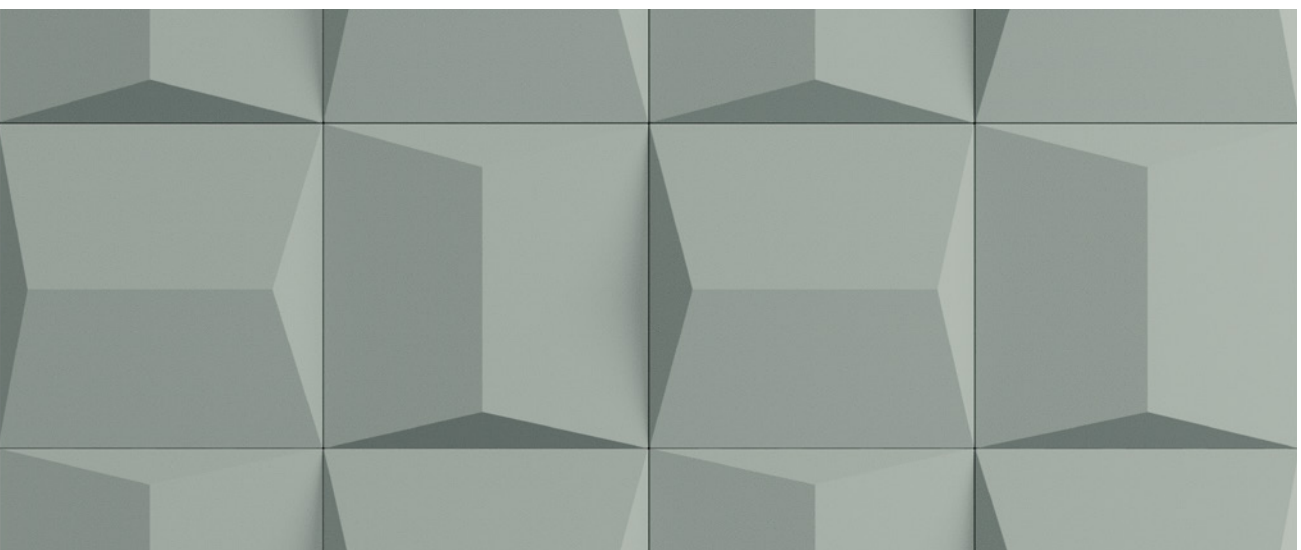
***Results determined through testing by an independent, certified laboratory that was conducted according to industry standards. ASTM C423-09a. Standard test method for sound absorption coefficients by the reverberation room method. ASTM E795 standard practice for mounting test samples during sound absorption tests.

Drawings not to scale. Do not use as template. The information contained in this document is the property of ARTOFIX. Reproduction is prohibited.

PRODUCT SHEET_2023-04

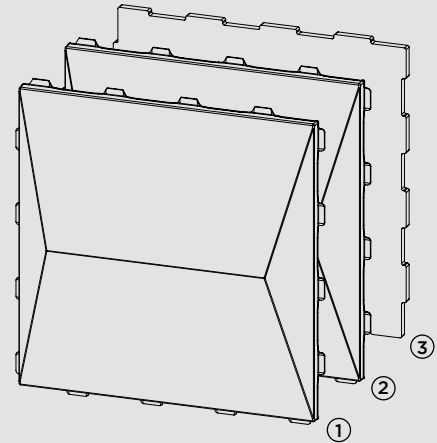
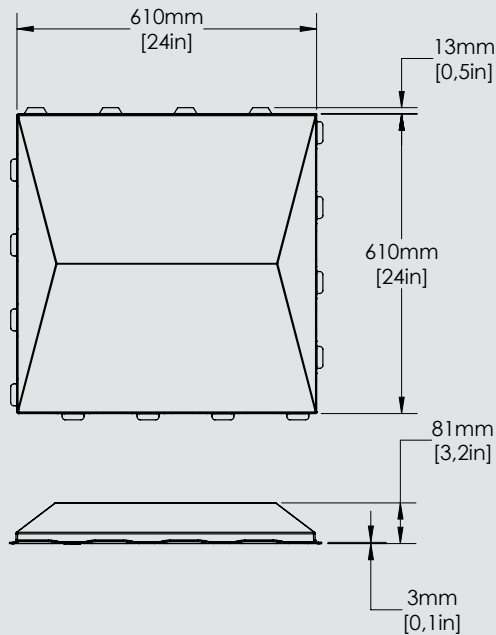
+1.450.646.7555
info@artofix.com

artofix.com



PRISM

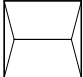
REGULAR INSTALLATION



COMPOSITION

- ① Fabric and color, selected by client
- ② Acoustic structure: 100% Polyester
- ③ Acoustic Lining: Stone wool

PRODUCT INFORMATION

	Dimensions W x H	Thickness	Acoustic Surface Area	Product Code [†]	Walls & Ceilings	ACG*	Baffles**	Clouds**
	24 x 24 in 610 x 610 mm	3,2 in 81 mm	4 ft ² 0,372 m ²	PRIA-2424-R-X-****-****	●	●	●	●

Perimeter Molding



Artotrim-C1

ARTC-1144-M-X-0000-0002

- Perimeter molding for full tiles

STANDARD FABRICS

100% polyester
(% of recycled fibres depends on choice of fabric)
For available styles, consult our website.

FLAMMABILITY

ASTM-E-84:
CAN/ULC-S102.2

ACOUSTIC PERFORMANCE***

Noise Reduction Coefficient (Hz)
NRC 0.80

[†]Fabrics

Replace ****-***** with the style number of the fabric, followed by the color number.

**Baffles and Clouds

For available formats, consult our website.

TILE LAYOUT

Need some inspiration? Visit our website, where you will find inspiring projects. For more details on our products and possible layouts, you can contact us or reach out to an authorized local distributor.

*AGC Concealed Grid: Suspended ceiling tiles with concealed supporting grid.

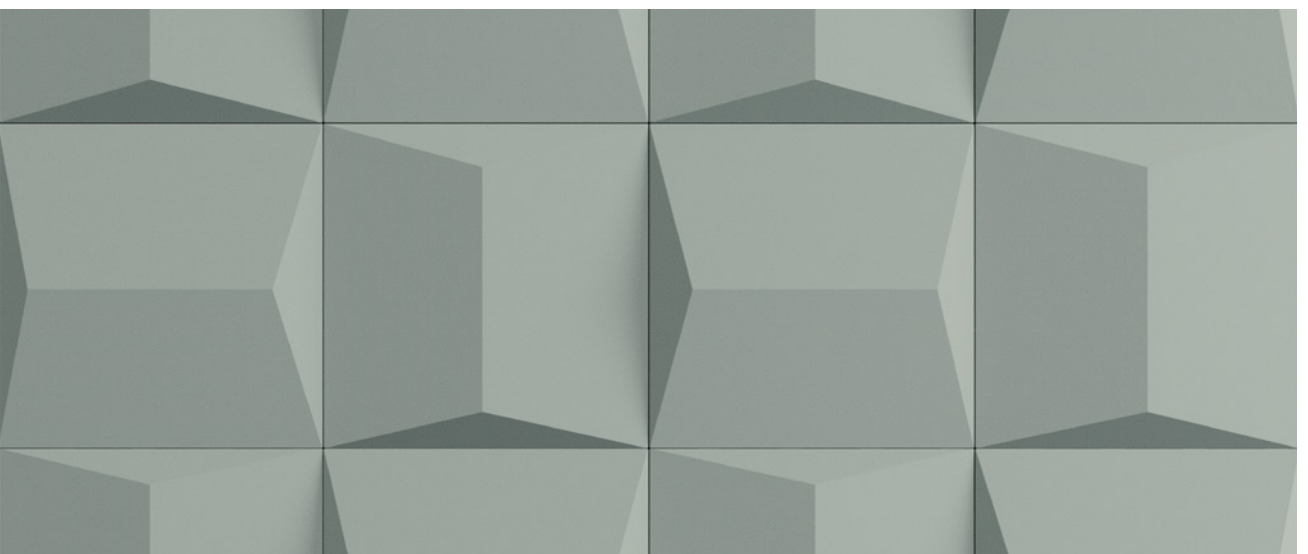
***Results determined through testing by an independent, certified laboratory that was conducted according to industry standards. ASTM C423-09a. Standard test method for sound absorption coefficients by the reverberation room method. ASTM E795 standard practice for mounting test samples during sound absorption tests.

Drawings not to scale. Do not use as template. The information contained in this document is the property of ARTOFIX. Reproduction is prohibited.

PRODUCT SHEET_2023-04

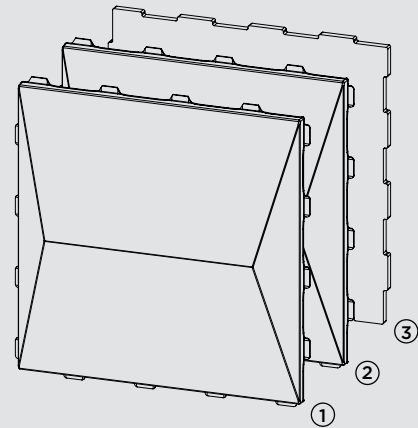
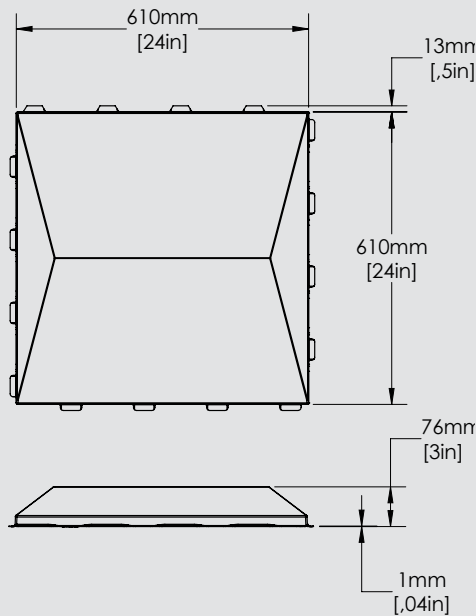
+1.450.646.7555
info@artofix.com

artofix.com



PRISM

SPORT-IMPACT INSTALLATION



COMPOSITION

- ① Fabric and color, selected by client
- ② Acoustic structure: 100% Polyester
- ③ Acoustic Lining: Stone wool

PRODUCT INFORMATION

	Dimensions W x H	Thickness	Acoustic Surface Area	Product Code [†]	Walls & Ceilings	ACG*	Baffles**	Clouds**
	24 x 24 in 610 x 610 mm	3 in 76 mm	4 ft ² 0,372 m ²	PRIA-2424-S-X-****-****	●	●	●	●

Perimeter Moldings



Artotrim-ACG

ARTA-0144-M-X-0000-0002

- Perimeter molding for flat tiles, allows adjustment to wall and/or ceiling
- Installed with Artotrim-L1 or Artotrim-L2 plywood finishing moldings



Artotrim-L3

ARTL-3024-M-X-0000-0002

- 24" angle for installation with three-dimensional tiles at the perimeters, installed with the Artotrim-ACG

STANDARD FABRICS

100% polyester
(% of recycled fibres depends on choice of fabric)
For available styles, consult our website.

FLAMMABILITY

ASTM-E-84:
CAN/ULC-S102.2

ACOUSTIC PERFORMANCE***

Noise Reduction Coefficient (Hz)
NRC 0.80

†Fabrics

Replace ****-***** with the style number of the fabric, followed by the color number.

**Baffles and Clouds

For available formats, consult our website.

TILE LAYOUT

Need some inspiration? Visit our website, where you will find inspiring projects. For more details on our products and possible layouts, you can contact us or reach out to an authorized local distributor.

*AGC Concealed Grid: Suspended ceiling tiles with concealed supporting grid.

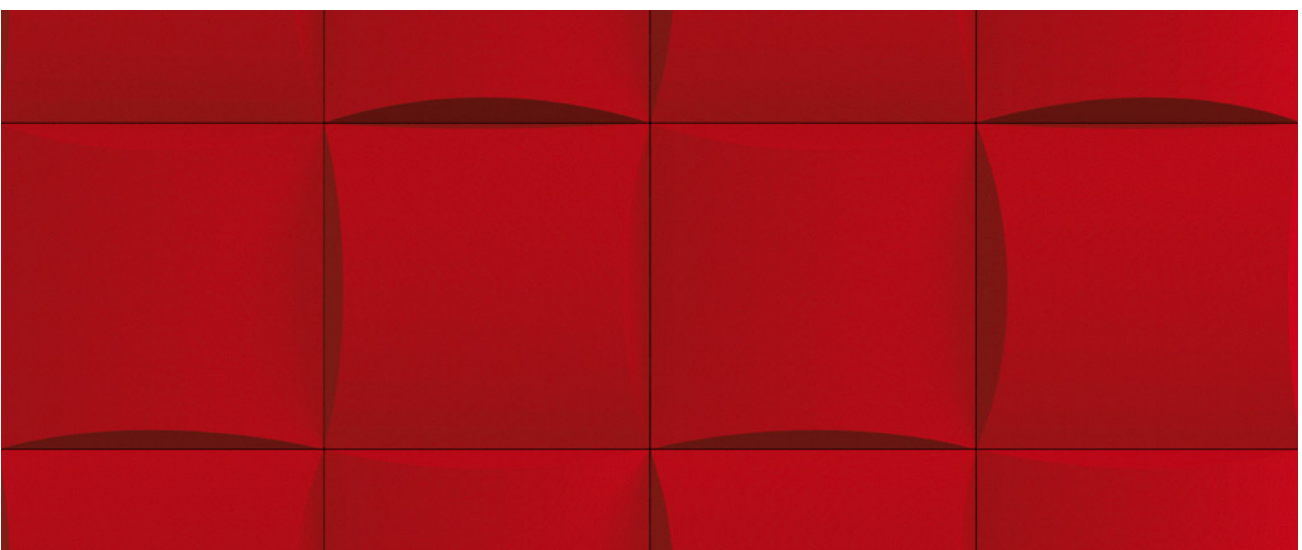
***Results determined through testing by an independent, certified laboratory that was conducted according to industry standards. ASTM C423-09a. Standard test method for sound absorption coefficients by the reverberation room method. ASTM E795 standard practice for mounting test samples during sound absorption tests.

Drawings not to scale. Do not use as template. The information contained in this document is the property of ARTOFIX. Reproduction is prohibited.

PRODUCT SHEET_2023-04

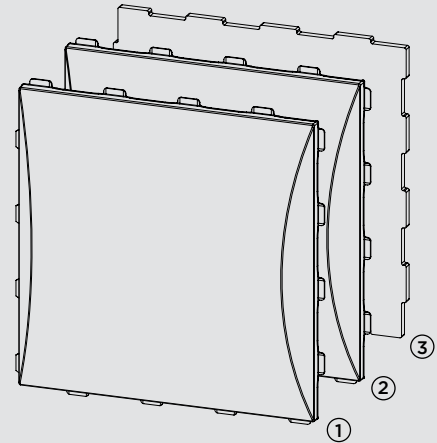
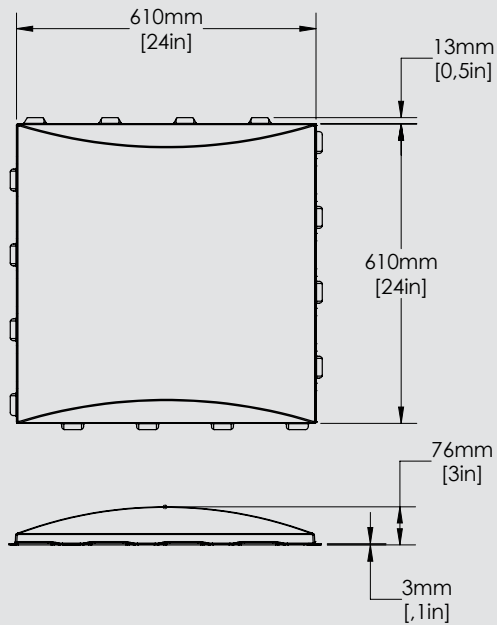
+1.450.646.7555
info@artofix.com

artofix.com



PULSAR


REGULAR INSTALLATION



COMPOSITION

- ① Fabric and color, selected by client
- ② Acoustic structure: 100% Polyester
- ③ Acoustic Lining: Stone wool

PRODUCT INFORMATION

	Dimensions W x H	Thickness	Acoustic Surface Area	Product Code [†]	Walls & Ceilings	ACG*	Baffles**	Clouds**
	24 x 24 in 610 x 610 mm	3 in 76 mm	4 ft ² 0,372 m ²	PULA-2424-R-X-****-****	●	●	●	●

Perimeter Molding



Artotrim-C1

ARTC-1144-M-X-0000-0002

- Perimeter molding for full tiles

STANDARD FABRICS

100% polyester
(% of recycled fibres depends on choice of fabric)
For available styles, consult our website.

FLAMMABILITY

ASTM-E-84:
CAN/ULC-S102.2

ACOUSTIC PERFORMANCE***

Noise Reduction Coefficient (Hz)
NRC 0.80

[†]Fabrics

Replace ****-***** with the style number of the fabric, followed by the color number.

**Baffles and Clouds

For available formats, consult our website.

TILE LAYOUT

Need some inspiration? Visit our website, where you will find inspiring projects. For more details on our products and possible layouts, you can contact us or reach out to an authorized local distributor..

*AGC Concealed Grid: Suspended ceiling tiles with concealed supporting grid.

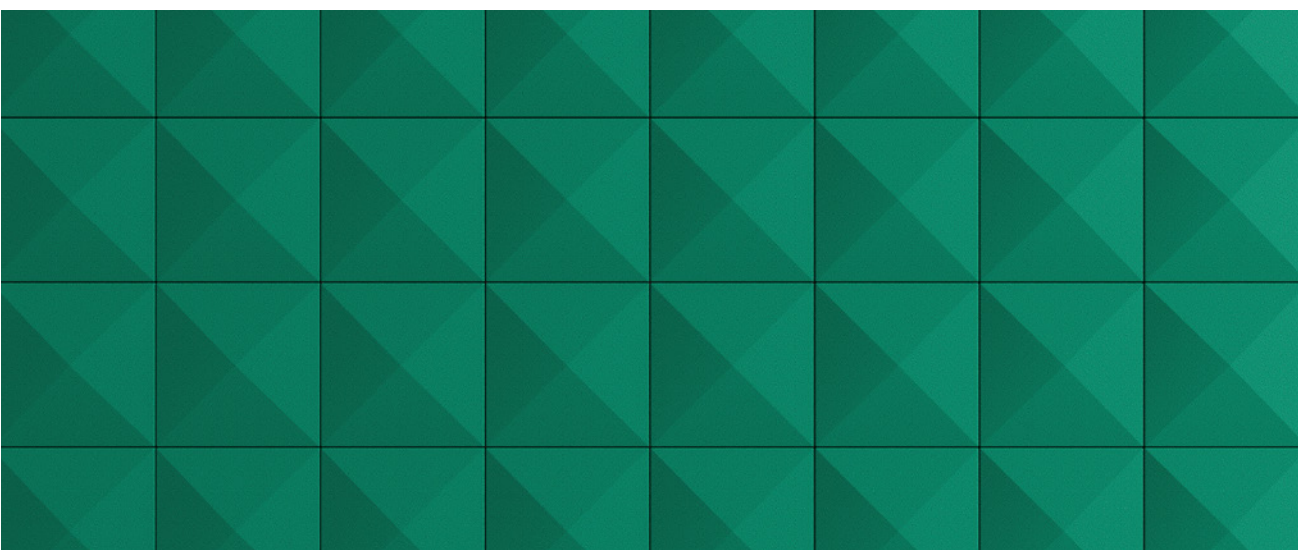
***Results determined through testing by an independent, certified laboratory that was conducted according to industry standards. ASTM C423-09a. Standard test method for sound absorption coefficients by the reverberation room method. ASTM E795 standard practice for mounting test samples during sound absorption tests.

Drawings not to scale. Do not use as template. The information contained in this document is the property of ARTOFIX. Reproduction is prohibited.

PRODUCT SHEET_2023-04

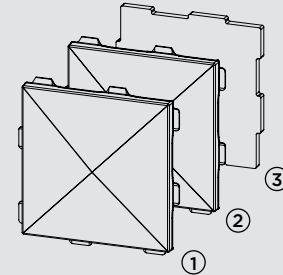
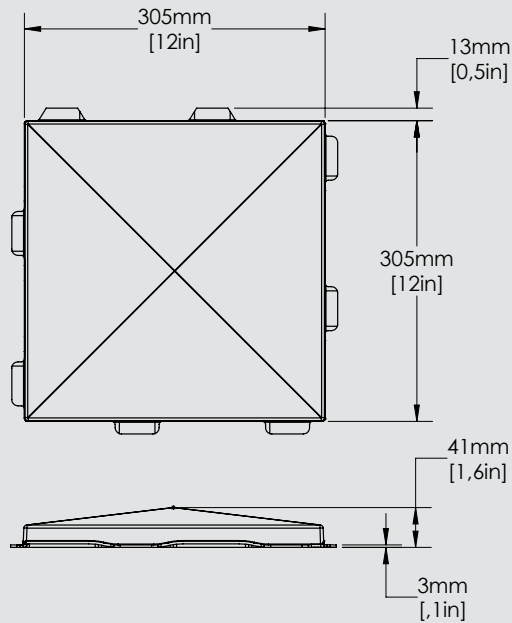
+1.450.646.7555
info@artofix.com

artofix.com



PYRAMID

REGULAR INSTALLATION



COMPOSITION

- ① Fabric and color, selected by client
- ② Acoustic structure: 100% Polyester
- ③ Acoustic Lining: Stone wool

PRODUCT INFORMATION

	Dimensions W x H	Thickness	Acoustic Surface Area	Product Code [†]	Walls & Ceilings	ACG*	Baffles**	Clouds**
	12 x 12 in 305 x 305 mm	1,6 in 41 mm	1 ft ² 0,093 m ²	PYRA-1212-R-X-****-****	●	-	-	-

Perimeter Molding



Artotrim-C1

ARTC-1144-M-X-0000-0002

- Perimeter molding for full tiles

STANDARD FABRICS

100% polyester
(% of recycled fibres depends on choice of fabric)
For available styles, consult our website.

FLAMMABILITY

ASTM-E-84:
CAN/ULC-S102.2

ACOUSTIC PERFORMANCE***

Noise Reduction Coefficient (Hz)
NRC 0.80

[†]Fabrics

Replace ****-***** with the style number of the fabric, followed by the color number.

**Baffles and Clouds

For available formats, consult our website.

TILE LAYOUT

Need some inspiration? Visit our website, where you will find inspiring projects. For more details on our products and possible layouts, you can contact us or reach out to an authorized local distributor..

*AGC Concealed Grid: Suspended ceiling tiles with concealed supporting grid.

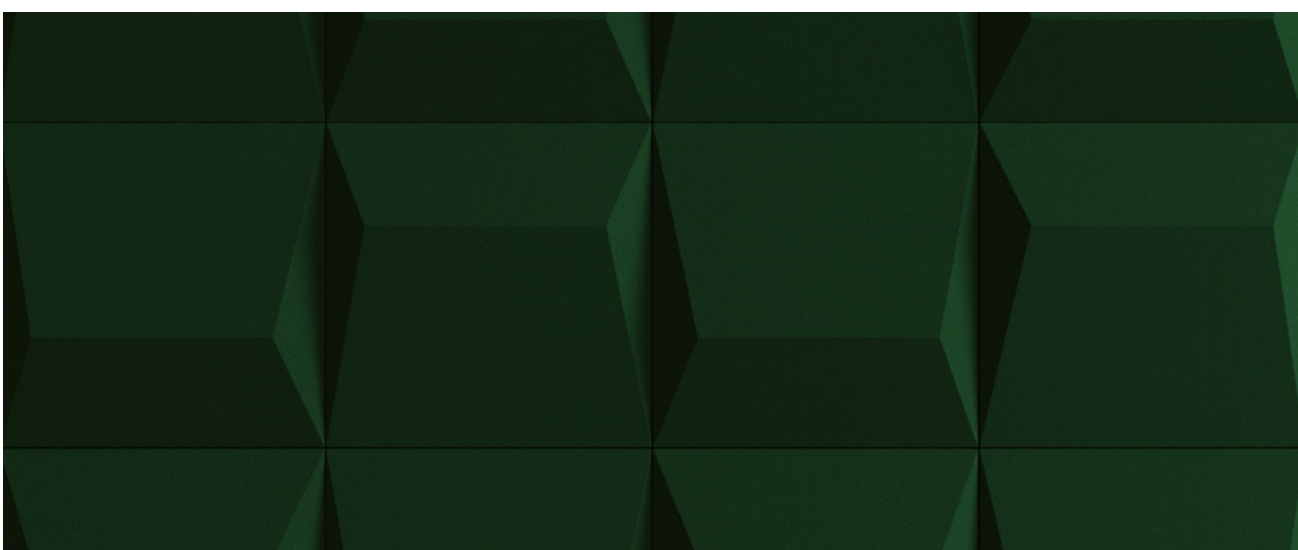
***Results determined through testing by an independent, certified laboratory that was conducted according to industry standards. ASTM C423-09a. Standard test method for sound absorption coefficients by the reverberation room method. ASTM E795 standard practice for mounting test samples during sound absorption tests.

Drawings not to scale. Do not use as template. The information contained in this document is the property of ARTOFIX. Reproduction is prohibited.

PRODUCT SHEET_2023-04

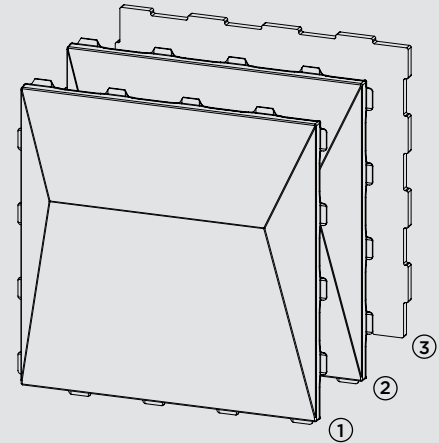
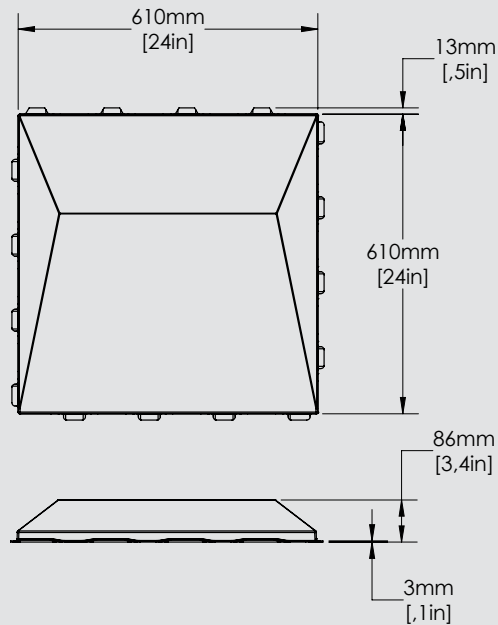
+1.450.646.7555
info@artofix.com

artofix.com



RUBY

REGULAR INSTALLATION



COMPOSITION

- ① Fabric and color, selected by client
- ② Acoustic structure: 100% Polyester
- ③ Acoustic Lining: Stone wool

PRODUCT INFORMATION

	Dimensions W x H	Thickness	Acoustic Surface Area	Product Code [†]	Walls & Ceilings	ACG*	Baffles**	Clouds**
	24 x 24 in 610 x 610 mm	3,4 in 86 mm	4 ft ² 0,372 m ²	RUBA-2424-R-X-****-****	●	●	●	-

Perimeter Molding



Artotrim-C1

ARTC-1144-M-X-0000-0002

- Perimeter molding for full tiles

STANDARD FABRICS

100% polyester
(% of recycled fibres depends on choice of fabric)
For available styles, consult our website.

FLAMMABILITY

ASTM-E-84:
CAN/ULC-S102.2

ACOUSTIC PERFORMANCE***

Noise Reduction Coefficient (Hz)
NRC 0.80

[†]Fabrics

Replace ****-***** with the style number of the fabric, followed by the color number.

**Baffles and Clouds

For available formats, consult our website.

TILE LAYOUT

Need some inspiration? Visit our website, where you will find inspiring projects. For more details on our products and possible layouts, you can contact us or reach out to an authorized local distributor.

*AGC Concealed Grid: Suspended ceiling tiles with concealed supporting grid.

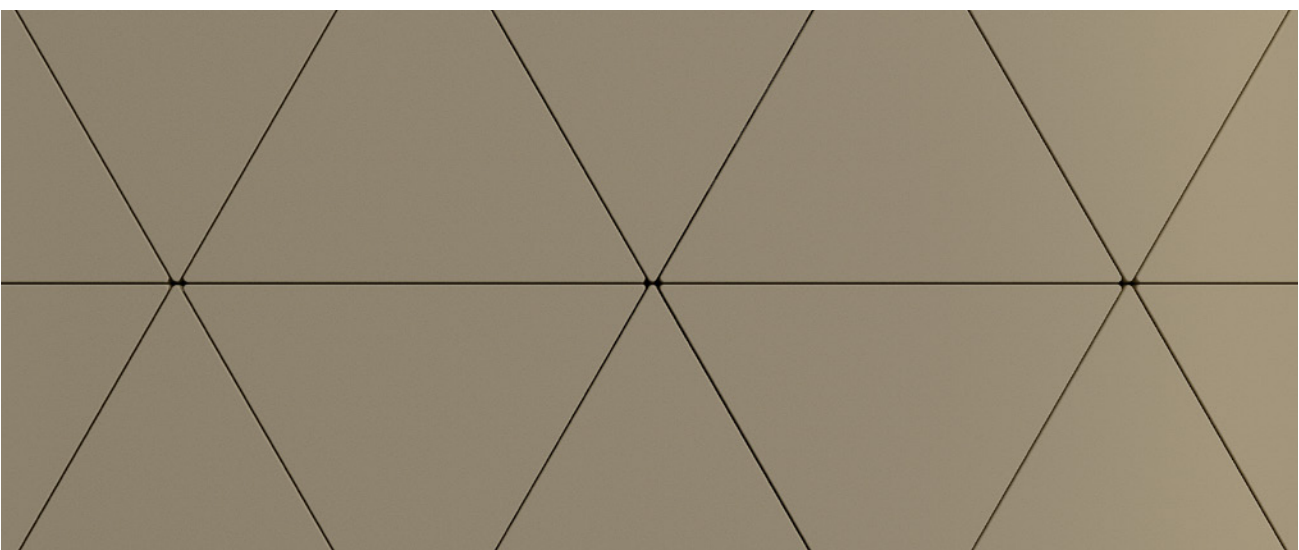
***Results determined through testing by an independent, certified laboratory that was conducted according to industry standards. ASTM C423-09a. Standard test method for sound absorption coefficients by the reverberation room method. ASTM E795 standard practice for mounting test samples during sound absorption tests.

Drawings not to scale. Do not use as template. The information contained in this document is the property of ARTOFIX. Reproduction is prohibited.

PRODUCT SHEET_2023-04

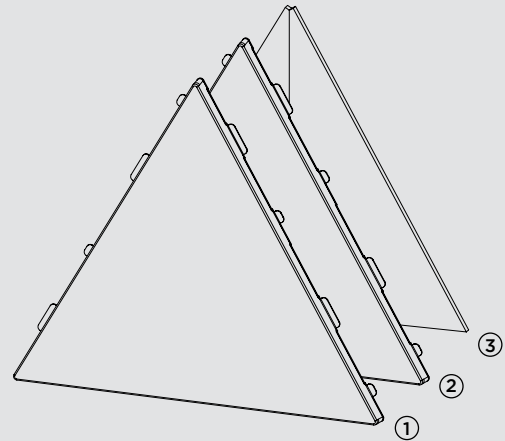
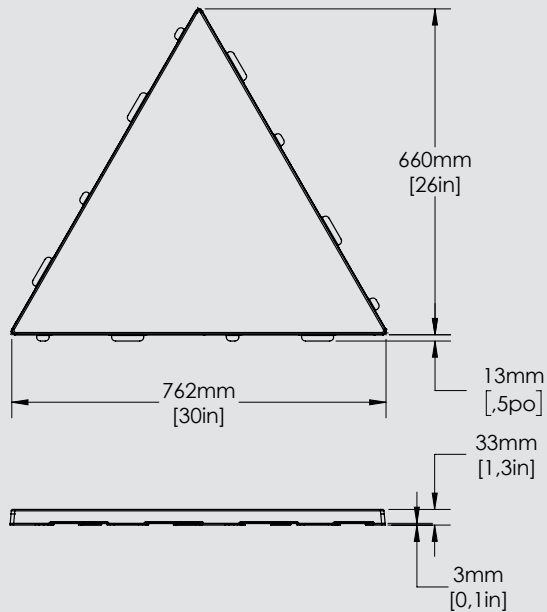
+1.450.646.7555
info@artofix.com

artofix.com



TOPAZ


REGULAR INSTALLATION



COMPOSITION

- ① Fabric and color, selected by client
- ② Acoustic structure: 100% Polyester
- ③ Acoustic Lining: Stone wool

PRODUCT INFORMATION

	Dimensions W x H	Thickness	Acoustic Surface Area	Product Code [†]	Walls & Ceilings	ACG*	Baffles**	Clouds**
	30 x 26 in 762 x 660 mm	1,3 in 33 mm	2,71 ft ² 0,252 m ²	TOPA-3026-R-X-****-****	●	-	-	●

Perimeter Molding



Artotrim-C2

ARTC-2144-M-X-0000-0002

- Perimeter molding for triangular tiles

STANDARD FABRICS

100% polyester
(% of recycled fibres depends on choice of fabric)
For available styles, consult our website.

FLAMMABILITY

ASTM-E-84:
CAN/ULC-S102.2

ACOUSTIC PERFORMANCE***

Noise Reduction Coefficient (Hz)
NRC 0.80

[†]Fabrics

Replace ****-***** with the style number of the fabric, followed by the color number.

**Baffles and Clouds

For available formats, consult our website.

TILE LAYOUT

Need some inspiration? Visit our website, where you will find inspiring projects. For more details on our products and possible layouts, you can contact us or reach out to an authorized local distributor.

*AGC Concealed Grid: Suspended ceiling tiles with concealed supporting grid.

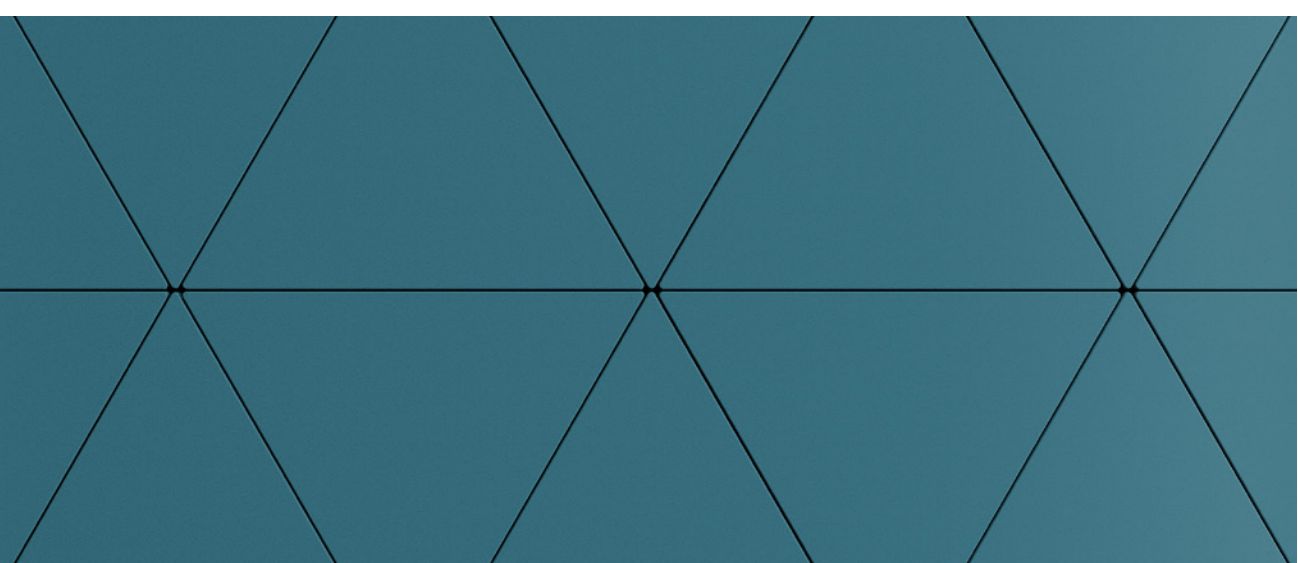
***Results determined through testing by an independent, certified laboratory that was conducted according to industry standards. ASTM C423-09a. Standard test method for sound absorption coefficients by the reverberation room method. ASTM E795 standard practice for mounting test samples during sound absorption tests.

Drawings not to scale. Do not use as template. The information contained in this document is the property of ARTOFIX. Reproduction is prohibited.

PRODUCT SHEET_2023-04

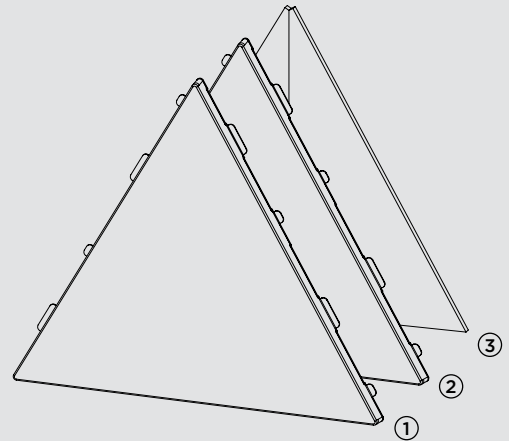
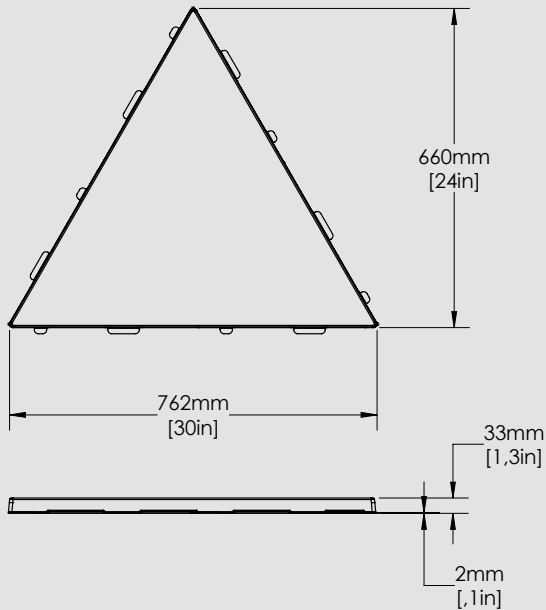
+1.450.646.7555
info@artofix.com

artofix.com



TOPAZ

SPORT-IMPACT INSTALLATION



COMPOSITION

- ① Fabric and color, selected by client
- ② Acoustic structure: 100% Polyester
- ③ Acoustic Lining: Stone wool

PRODUCT INFORMATION

	Dimensions W x H	Thickness	Acoustic Surface Area	Product Code [†]	Walls & Ceilings	ACG*	Baffles**	Clouds**
	30 x 26 in 762 x 660 mm	1,3 in 33 mm	2,71 ft ² 0,252 m ²	TOPA-3026-S-X-****-****	●	—	—	●

Perimeter Molding

	Artotrim-C2 ARTC-2144-M-X-0000-0002	• Perimeter molding for triangular tiles
---	---	--

STANDARD FABRICS

100% polyester
(% of recycled fibres depends on choice of fabric)
For available styles, consult our website.

FLAMMABILITY

ASTM-E-84;
CAN/ULC-S102.2

ACOUSTIC PERFORMANCE***

Noise Reduction Coefficient (Hz)
NRC 0.80

†Fabrics

Replace ****-**** with the style number of the fabric, followed by the color number.

**Baffles and Clouds

For available formats, consult our website.

TILE LAYOUT

Need some inspiration? Visit our website, where you will find inspiring projects. For more details on our products and possible layouts, you can contact us or reach out to an authorized local distributor.

*AGC Concealed Grid: Suspended ceiling tiles with concealed supporting grid.

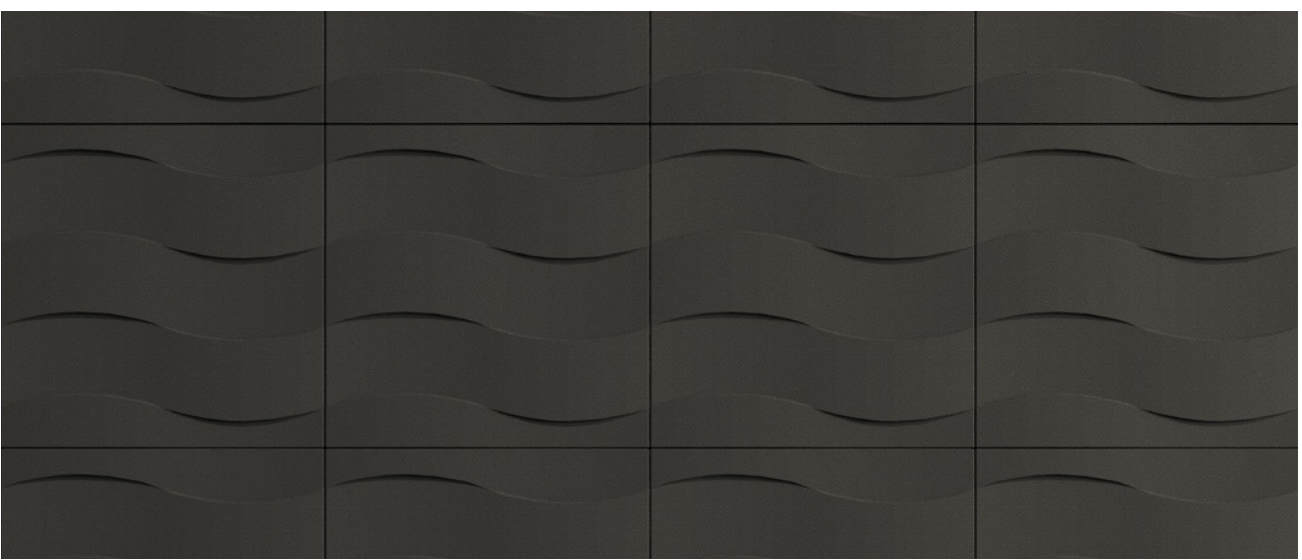
***Results determined through testing by an independent, certified laboratory that was conducted according to industry standards. ASTM C423-09a. Standard test method for sound absorption coefficients by the reverberation room method. ASTM E795 standard practice for mounting test samples during sound absorption tests.

Drawings not to scale. Do not use as template. The information contained in this document is the property of ARTOFIX. Reproduction is prohibited.

PRODUCT SHEET_2023-04-A

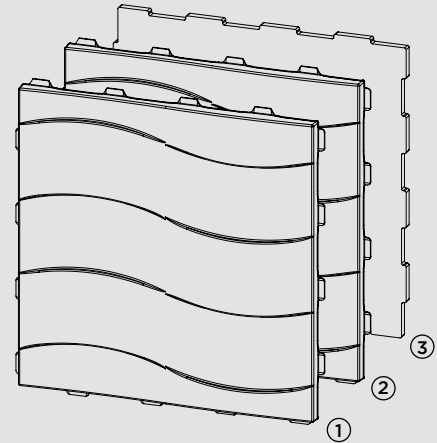
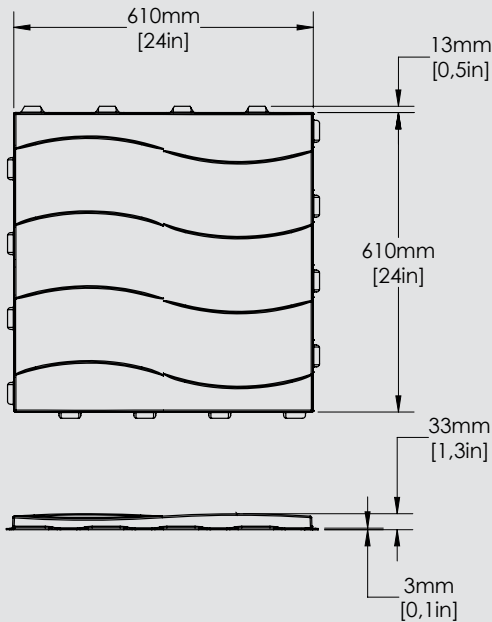
+1.450.646.7555
info@artofix.com

artofix.com



WAVE

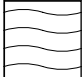
REGULAR INSTALLATION



COMPOSITION

- ① Fabric and color, selected by client
- ② Acoustic structure: 100% Polyester
- ③ Acoustic Lining: Stone wool

PRODUCT INFORMATION

	Dimensions W x H	Thickness	Acoustic Surface Area	Product Code [†]	Walls & Ceilings	ACG*	Baffles**	Clouds**
	24 x 24 in 610 x 610 mm	1,3 in 33 mm	4 ft ² 0,372 m ²	WAVA-2424-R-X-****-****	●	●	-	●

Perimeter Molding



Artotrim-C1

ARTC-1144-M-X-0000-0002

- Perimeter molding for full tiles

STANDARD FABRICS

100% polyester
(% of recycled fibres depends on choice of fabric)
For available styles, consult our website

FLAMMABILITY

ASTM-E-84:
CAN/ULC-S102.2

PERFORMANCE ACOUSTIQUE***

Noise Reduction Coefficient (Hz)
NRC 0.80

*Fabrics

Replace ****-**** with the style number of the fabric, followed by the color number.

**Baffles and Clouds

For available formats, consult our website.

TILE LAYOUT

Need some inspiration? Visit our website, where you will find inspiring projects. For more details on our products and possible layouts, you can contact us or reach out to an authorized local distributor.

*AGC Concealed Grid: Suspended ceiling tiles with concealed supporting grid.

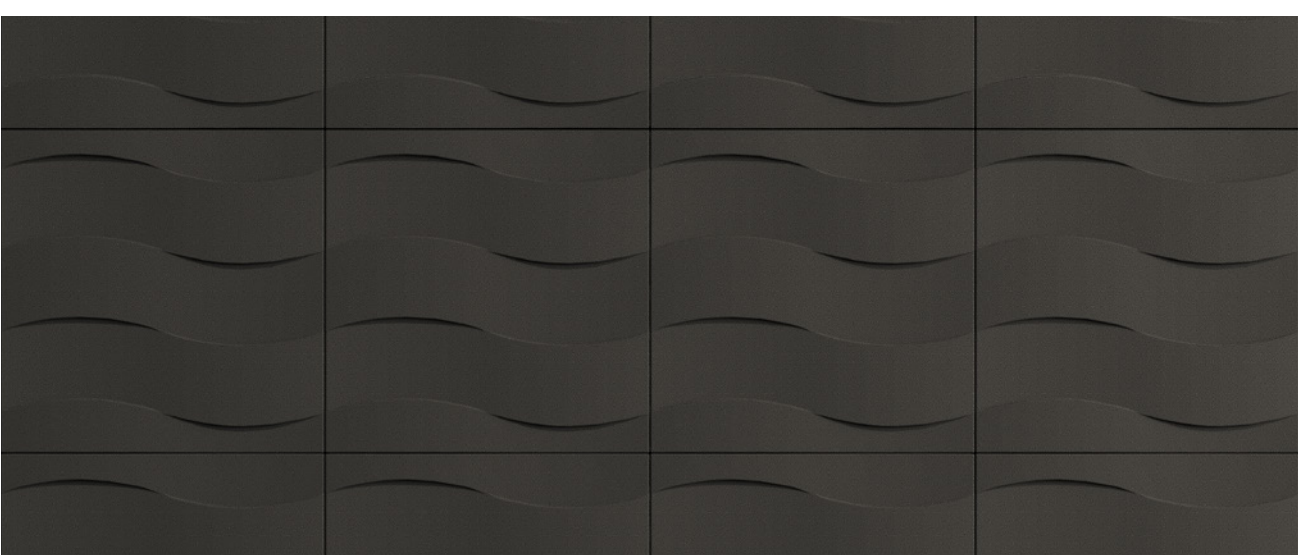
***Results determined through testing by an independent, certified laboratory that was conducted according to industry standards. ASTM C423-09a. Standard test method for sound absorption coefficients by the reverberation room method. ASTM E795 standard practice for mounting test samples during sound absorption tests.

Drawings not to scale. Do not use as template. The information contained in this document is the property of ARTOFIX. Reproduction is prohibited.

PRODUCT SHEET_2023-04

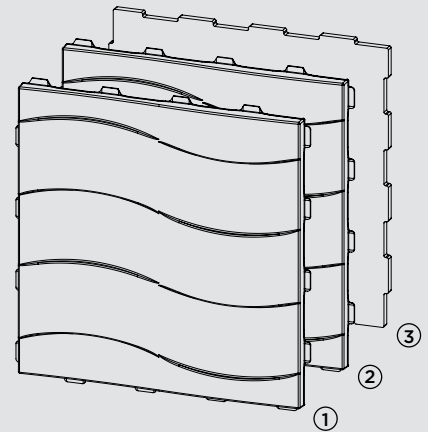
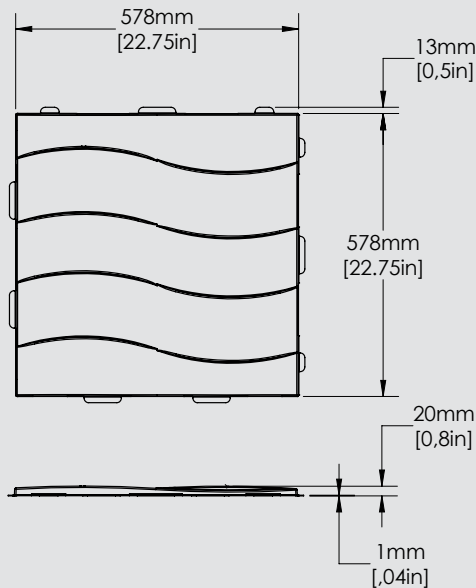
+1.450.646.7555
info@artofix.com

artofix.com



WAVE

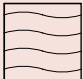
SPORT-IMPACT INSTALLATION



COMPOSITION

- ① Fabric and color, selected by client
- ② Acoustic structure: 100% Polyester
- ③ Acoustic Lining: Stone wool

PRODUCT INFORMATION

	Dimensions W x H	Thickness	Acoustic Surface Area	Product Code [†]	Walls & Ceilings	ACG*	Baffles**	Clouds**
	22,75 x 22,75 in 578 x 578 mm	0,8 in 20 mm	3,6 ft ² 0,334 m ²	WAVA-2323-S-X-****-****	●	●	-	●

Perimeter Moldings



Artotrim-ACG

ARTA-0144-M-X-0000-0002

- Perimeter molding for flat tiles, allows adjustment to wall and/or ceiling
- Installed with Artotrim-L1 or Artotrim-L2 plywood finishing moldings



Artotrim-L3

ARTL-3024-M-X-0000-0002

- 24" angle for installation with three-dimensional tiles at the perimeters, installed with the Artotrim-ACG

STANDARD FABRICS

100% polyester
(% of recycled fibres depends on choice of fabric)
For available styles, consult our website.

FLAMMABILITY

ASTM-E-84:
CAN/ULC-S102.2

ACOUSTIC PERFORMANCE***

Noise Reduction Coefficient (Hz)
NRC 0.80

†Fabrics

Replace ****-**** with the style number of the fabric, followed by the color number.

**Baffles and Clouds

For available formats, consult our website.

TILE LAYOUT

Need some inspiration? Visit our website, where you will find inspiring projects. For more details on our products and possible layouts, you can contact us or reach out to an authorized local distributor.

*AGC Concealed Grid: Suspended ceiling tiles with concealed supporting grid.

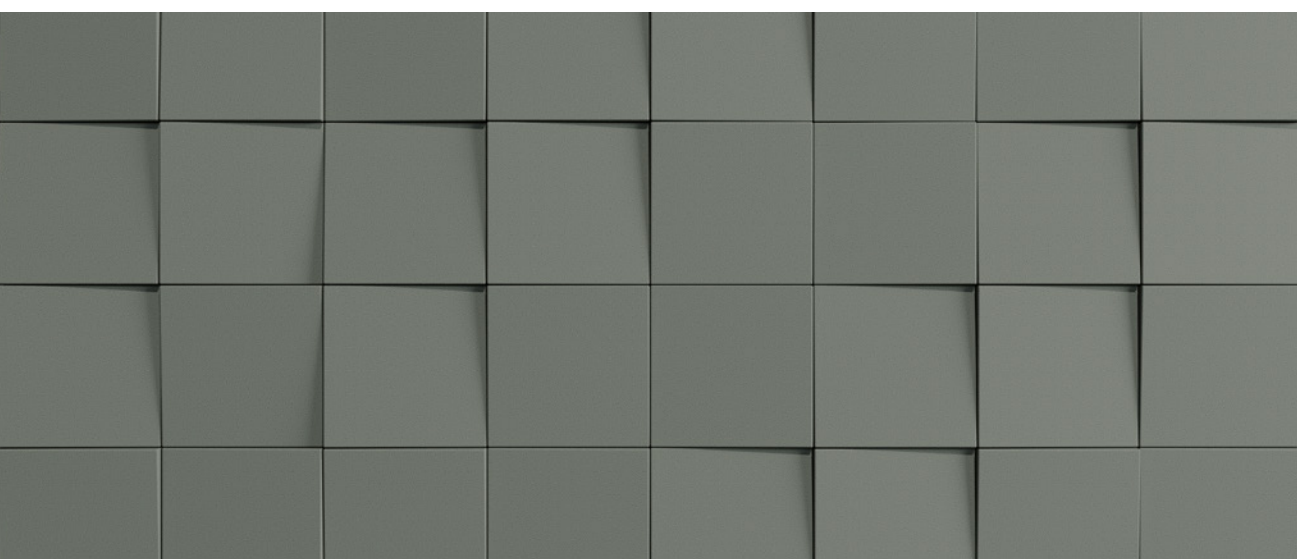
***Results determined through testing by an independent, certified laboratory that was conducted according to industry standards. ASTM C423-09a. Standard test method for sound absorption coefficients by the reverberation room method. ASTM E795 standard practice for mounting test samples during sound absorption tests.

Drawings not to scale. Do not use as template. The information contained in this document is the property of ARTOFIX. Reproduction is prohibited.

PRODUCT SHEET_2023-04

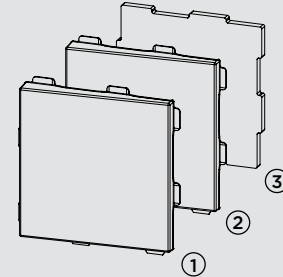
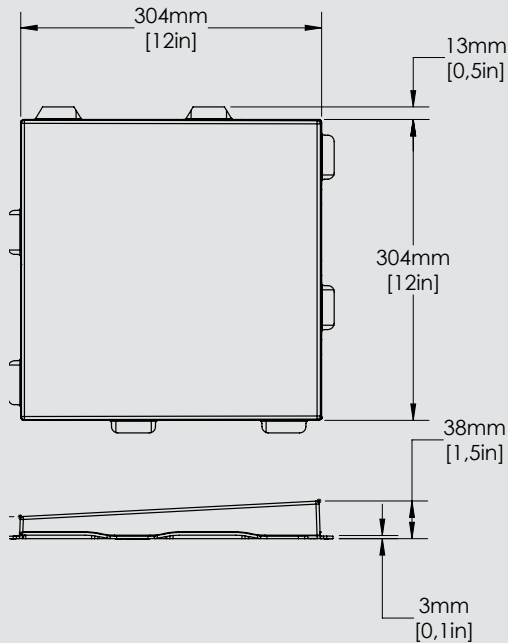
+1.450.646.7555
info@artofix.com

artofix.com



WEDGE

REGULAR INSTALLATION



COMPOSITION

- ① Fabric and color, selected by client
- ② Acoustic structure: 100% Polyester
- ③ Acoustic Lining: Stone wool

PRODUCT INFORMATION

	Dimensions W x H	Thickness	Acoustic Surface Area	Product Code [†]	Walls & Ceilings	ACG*	Baffles**	Clouds**
	12 x 12 in 305 x 305 mm	1,5 in 38 mm	1 ft ² 0,093 m ²	WEDA-1212-R-X-****-****	●	-	-	-

Perimeter Molding



Artotrim-C1

ARTC-1144-M-X-0000-0002

- Perimeter molding for full tiles

STANDARD FABRICS

100% polyester
(% of recycled fibres depends on choice of fabric)
For available styles, consult our website.

FLAMMABILITY

ASTM-E-84:
CAN/ULC-S102.2

ACOUSTIC PERFORMANCE***

Noise Reduction Coefficient (Hz)
NRC 0.80

[†]Fabrics

Replace ****-***** with the style number of the fabric, followed by the color number.

**Baffles and Clouds

For available formats, consult our website.

TILE LAYOUT

Need some inspiration? Visit our website, where you will find inspiring projects. For more details on our products and possible layouts, you can contact us or reach out to an authorized local distributor.

*AGC Concealed Grid: Suspended ceiling tiles with concealed supporting grid.

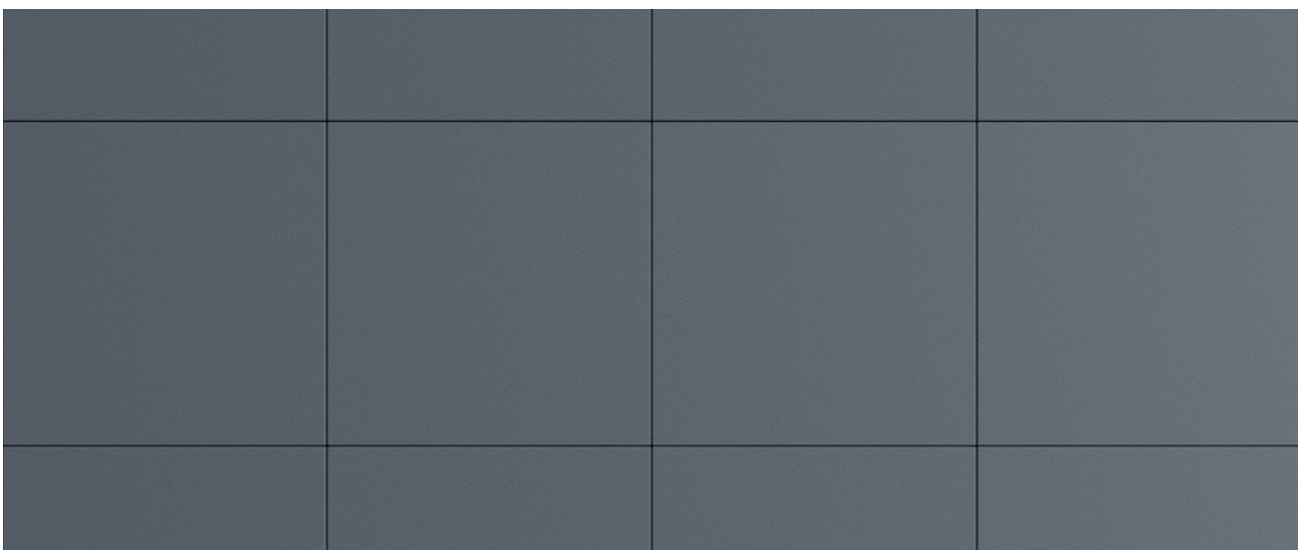
***Results determined through testing by an independent, certified laboratory that was conducted according to industry standards. ASTM C423-09a. Standard test method for sound absorption coefficients by the reverberation room method. ASTM E795 standard practice for mounting test samples during sound absorption tests.

Drawings not to scale. Do not use as template. The information contained in this document is the property of ARTOFIX. Reproduction is prohibited.

PRODUCT SHEET_2023-04

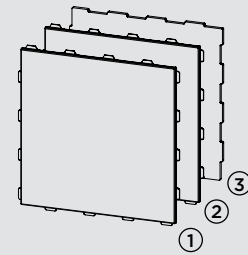
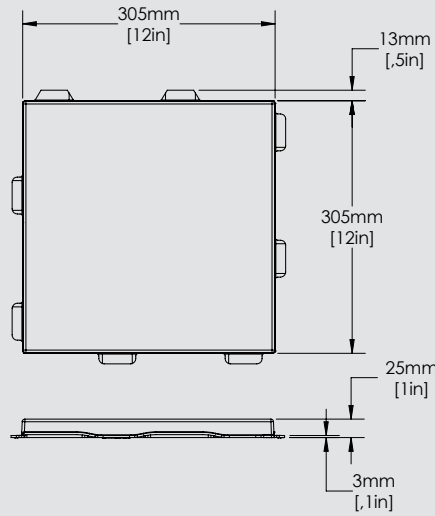
+1.450.646.7555
info@artofix.com

artofix.com



ZEN

REGULAR INSTALLATION



COMPOSITION

- ① Fabric and color, selected by client
- ② Acoustic structure: 100% Polyester
- ③ Acoustic Lining: Stone wool

PRODUCT INFORMATION

	Dimensions W x H	Thickness	Acoustic Surface Area	Product Code†	Walls & Ceilings	ACG*	Baffles**	Clouds**
	24 x 24 in 610 x 610 mm	1 in 25 mm	4 ft ² 0,372 m ²	ZENA-2424-R-X-****-****	●	●	●	●
	24 x 24 in 610 x 610 mm	0,6 in 15 mm	4 ft ² 0,372 m ²	ZENA-2424-T-X-****-****	●	●	●	●
	24 x 12 in 610 x 305 mm	1 in 25 mm	2 ft ² 0,186 m ²	ZENA-2412-R-X-****-****	●	●	●	-
	24 x 6 in 610 x 152 mm	1 in 25 mm	1 ft ² 0,093 m ²	ZENA-2406-R-X-****-****	●	●	●	-
	12 x 12 in 305 x 305 mm	1 in 25 mm	1 ft ² 0,093 m ²	ZENA-1212-R-X-****-****	●	●	-	-

Perimeter Molding



Artotrim-C1
ARTC-1144-M-X-0000-0002

- Perimeter molding for full tiles



Artotrim-C3
ARTC-3144-M-X-0000-0002

- Perimeter molding for cut Zen tiles. Allows adjustment to wall and/or ceiling
- Finishing molding for obstacles (ex: light fixture, power outlet, electric baseboard, etc.)

STANDARD FABRICS

100% polyester
(% of recycled fibres depends on choice of fabric)
For available styles, consult our website.

FLAMMABILITY

ASTM-E-84:
CAN/ULC-S102.2

ACOUSTIC PERFORMANCE***

Noise Reduction Coefficient (Hz)
NRC 0.80

†Fabrics

Replace ****-**** with the style number of the fabric, followed by the color number.

**Baffles and Clouds

For available formats, consult our website.

††Thin : Moldings for full or cut Zen tiles

Artotrim-C1 only

TILE LAYOUT

Need some inspiration? Visit our website, where you will find inspiring projects. For more details on our products and possible layouts, you can contact us or reach out to an authorized local distributor.

*AGC Concealed Grid: Suspended ceiling tiles with concealed supporting grid.

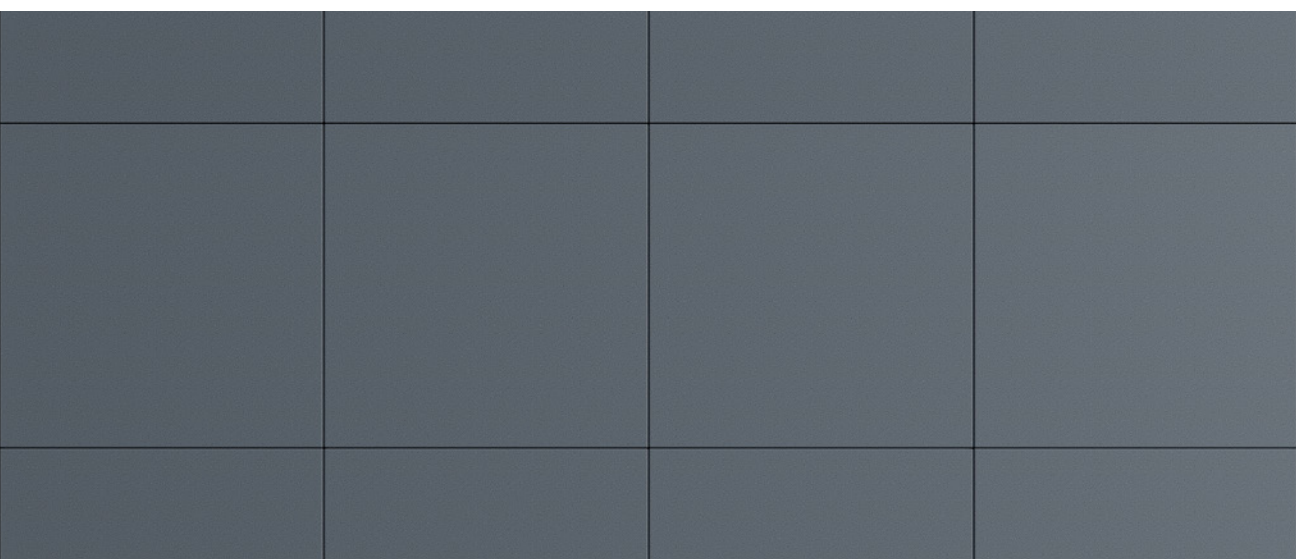
***Results determined through testing by an independent, certified laboratory that was conducted according to industry standards. ASTM C423-09a. Standard test method for sound absorption coefficients by the reverberation room method. ASTM E795 standard practice for mounting test samples during sound absorption tests.

Drawings not to scale. Do not use as template. The information contained in this document is the property of ARTOFIX. Reproduction is prohibited.

PRODUCT SHEET_2023-04

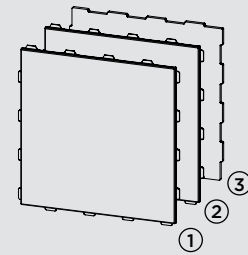
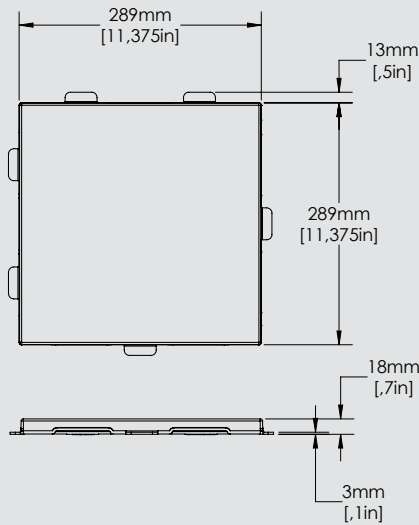
+1.450.646.7555
info@artofix.com

artofix.com



ZEN

SPORT-IMPACT INSTALLATION



COMPOSITION

- ① Fabric and color, selected by client
- ② Acoustic structure: 100% Polyester
- ③ Acoustic Lining: Stone wool

PRODUCT INFORMATION

	Dimensions W x H	Thickness	Acoustic Surface Area	Product Code†	Walls & Ceilings	ACG*	Baffles**	Clouds**
	24 x 24 in 610 x 610 mm	0,6 in 15 mm	4 ft ² 0,372 m ²	ZENA-2424-S-X-****-****	●	—	—	—
	22,75 x 22,75 in 578 x 578 mm	0,7 in 18 mm	3,6 ft ² 0,334 m ²	ZENA-2323-S-X-****-****	●	—	—	—
	22,75 x 11,375 in 578 x 289 mm	0,7 in 18 mm	1,8 ft ² 0,167 m ²	ZENA-2311-S-X-****-****	●	—	—	—
	11,375 x 11,375 in 289 x 289 mm	0,7 in 18 mm	3,6 ft ² 0,334 m ²	ZENA-1111-S-X-****-****	●	—	—	—
Perimeter Moldings								
	Artotrim-ACG ARTA-0144-M-X-0000-0002	<ul style="list-style-type: none"> • Perimeter molding for flat tiles, allows adjustment to wall and/or ceiling • Installed with Artotrim-L1 or Artotrim-L2 plywood finishing moldings 						
	Artotrim-L3 ARTL-3024-M-X-0000-0002	<ul style="list-style-type: none"> • 24" angle for installation with three-dimensional tiles at the perimeters, installed with the Artotrim-ACG 						

STANDARD FABRICS

100% polyester
(% of recycled fibres depends on choice of fabric)
For available styles, consult our website.

FLAMMABILITY

ASTM-E-84:
CAN/ULC-S102.2

ACOUSTIC PERFORMANCE***

Noise Reduction Coefficient (Hz)
NRC 0.80

†Fabrics

Replace ****-**** with the style number of the fabric, followed by the color number.

**Baffles and Clouds

For available formats, consult our website.

TILE LAYOUT

Need some inspiration? Visit our website, where you will find inspiring projects. For more details on our products and possible layouts, you can contact us or reach out to an authorized local distributor.

*AGC Concealed Grid: Suspended ceiling tiles with concealed supporting grid.

***Results determined through testing by an independent, certified laboratory that was conducted according to industry standards. ASTM C423-09a. Standard test method for sound absorption coefficients by the reverberation room method. ASTM E795 standard practice for mounting test samples during sound absorption tests.

Drawings not to scale. Do not use as template. The information contained in this document is the property of ARTOFIX. Reproduction is prohibited.

PRODUCT SHEET_2023-04

+1.450.646.7555
info@artofix.com

artofix.com

SUSPENDED CEILING TILES

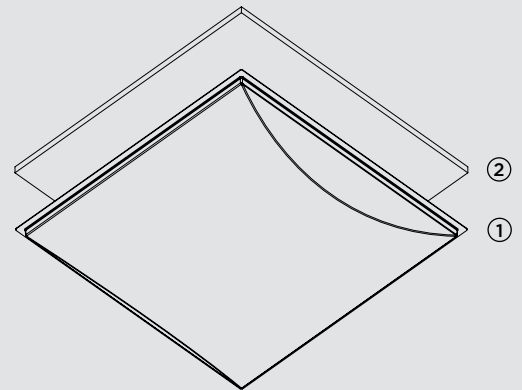
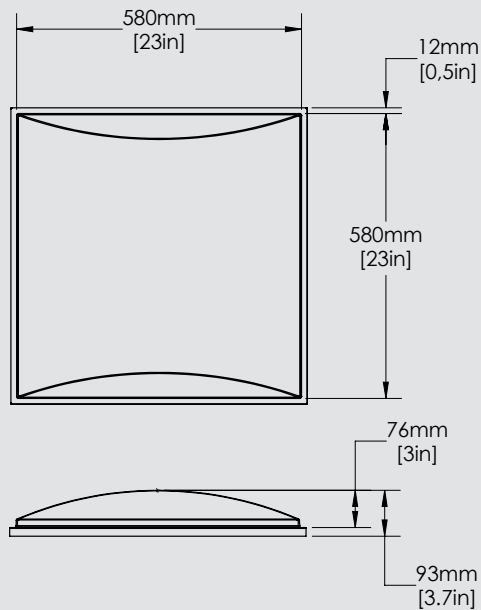
Architectural Solutions | Tiles



ARTOFIX

PULSAR | SUSPENDED CEILING TILES

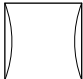
EXPOSED GRID



COMPOSITION

- ① Fabric and color, selected by client
- ② Acoustic structure: 100% Polyester

PRODUCT INFORMATION

	Dimensions W x H	Thickness	Acoustic Surface Area	Product Code†	Ceilings	ACG*	Baffles**	Clouds**
	24 x 24 in 610 x 610 mm	3,7 in 93 mm	4 ft ² 0,372 m ²	PULA-2424-C-X-****-****	●	-	-	-

Adjustment molding

- Artotrim-C1C**
ARTC-1023-M-X-0000-0002
- Finishing molding for cut Zen tiles. Required for adjustments along the perimeter of the ceiling.

STANDARD FABRICS

100% polyester
(% of recycled fibres depends on choice of fabric)
For available styles, consult our website

FLAMMABILITY

ASTM-E-84:
CAN/ULC-S102.2

ACOUSTIC PERFORMANCE***

Noise Reduction Coefficient (Hz)
NRC 0.80

†Fabrics

Replace ****-**** with the style number of the fabric, followed by the color number.

**Baffles and Clouds

For available formats, consult our website.

TILE LAYOUT

Need some inspiration? Visit our website, where you will find inspiring projects. For more details on our products and possible layouts, you can contact us or reach out to an authorized local distributor.

*AGC Concealed Grid: Suspended ceiling tiles with concealed supporting grid.

***Results determined through testing by an independent, certified laboratory that was conducted according to industry standards. ASTM C423-09a. Standard test method for sound absorption coefficients by the reverberation room method. ASTM E795 standard practice for mounting test samples during sound absorption tests.

Drawings not to scale. Do not use as template. The information contained in this document is the property of ARTOFIX. Reproduction is prohibited.

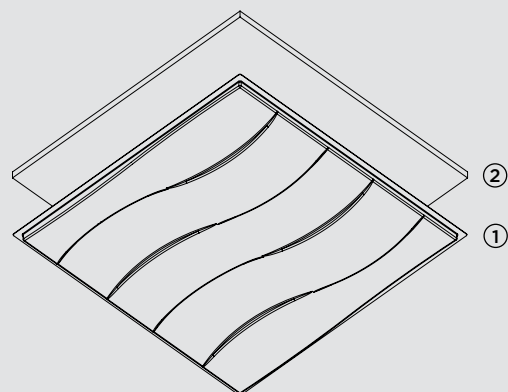
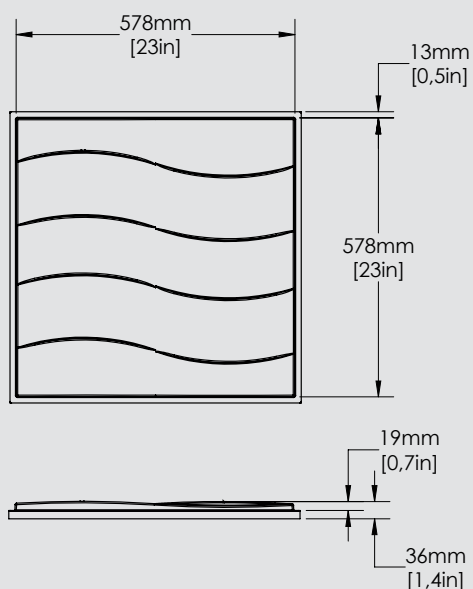
PRODUCT SHEET_2023-04

+1.450.646.7555
info@artofix.com

artofix.com

WAVE | SUSPENDED CEILING TILES

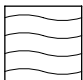
EXPOSED GRID



COMPOSITION

- ① Fabric and color, selected by client
- ② Acoustic structure: 100% Polyester

PRODUCT INFORMATION

	Dimensions W x H	Thickness	Acoustic Surface Area	Product Code†	Ceilings	ACG*	Baffles**	Clouds**
	24 x 24 in 610 x 610 mm	1,4 in 36 mm	4 ft ² 0,372 m ²	WAVA-2424-C-X-****-****	●	-	-	-

Adjustment molding

Artotrim-C1C

ARTC-1023-M-X-0000-0002

- Finishing molding for cut Zen tiles. Required for adjustments along the perimeter of the ceiling.

STANDARD FABRICS

100% polyester
(% of recycled fibres depends on choice of fabric)
For available styles, consult our website

FLAMMABILITY

ASTM-E-84:
CAN/ULC-S102.2

ACOUSTIC PERFORMANCE***

Noise Reduction Coefficient (Hz)
NRC 0.80

†Fabrics

Replace ****-**** with the style number of the fabric, followed by the color number.

**Baffles and Clouds

For available formats, consult our website.

TILE LAYOUT

Need some inspiration? Visit our website, where you will find inspiring projects. For more details on our products and possible layouts, you can contact us or reach out to an authorized local distributor.

*AGC Concealed Grid: Suspended ceiling tiles with concealed supporting grid.

***Results determined through testing by an independent, certified laboratory that was conducted according to industry standards. ASTM C423-09a. Standard test method for sound absorption coefficients by the reverberation room method. ASTM E795 standard practice for mounting test samples during sound absorption tests.

Drawings not to scale. Do not use as template. The information contained in this document is the property of ARTOFIX. Reproduction is prohibited.

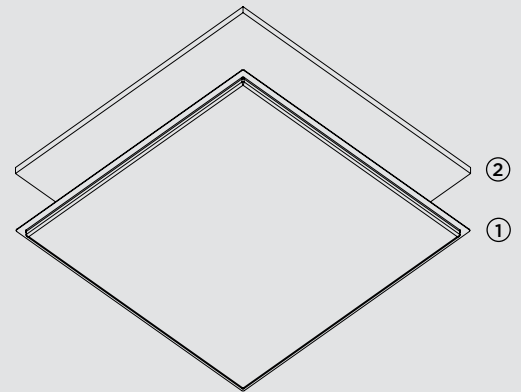
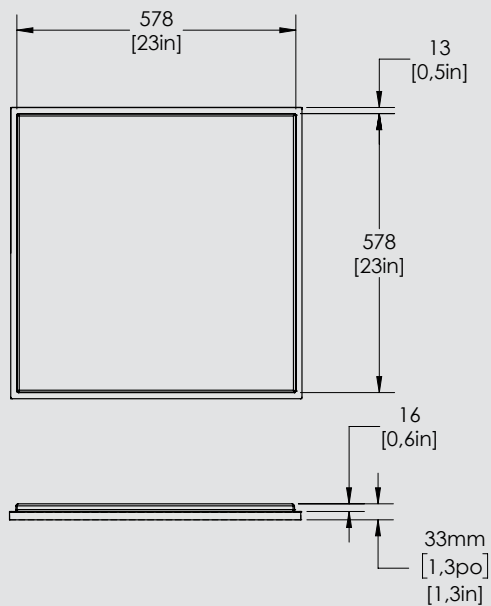
PRODUCT SHEET_2023-04

+1.450.646.7555
info@artofix.com

artofix.com

ZEN | SUSPENDED CEILING TILES


EXPOSED GRID



COMPOSITION

- ① Fabric and color, selected by client
- ② Acoustic structure: 100% Polyester

PRODUCT INFORMATION

	Dimensions W x H	Thickness	Acoustic Surface Area	Product Code [†]	Ceilings	ACG [*]	Baffles ^{**}	Clouds ^{**}
	24 x 24 in 610 x 610 mm	1,3 in 33 mm	4 ft ² 0,372 m ²	ZENA-2424-C-X-****-****	●	-	-	-

Adjustment molding

- Artotrim-C1C**
ARTC-1023-M-X-0000-0002
- Finishing molding for cut Zen tiles. Required for adjustments along the perimeter of the ceiling.

STANDARD FABRICS

100% polyester
(% of recycled fibres depends on choice of fabric)
For available styles, consult our website

FLAMMABILITY

ASTM-E-84:
CAN/ULC-S102.2

ACOUSTIC PERFORMANCE^{***}

Noise Reduction Coefficient (Hz)
NRC 0.80

[†]Fabrics

Replace ****-**** with the style number of the fabric, followed by the color number.

^{**}Baffles and Clouds

For available formats, consult our website.

TILE LAYOUT

Need some inspiration? Visit our website, where you will find inspiring projects. For more details on our products and possible layouts, you can contact us or reach out to an authorized local distributor.

*AGC Concealed Grid: Suspended ceiling tiles with concealed supporting grid.

***Results determined through testing by an independent, certified laboratory that was conducted according to industry standards. ASTM C423-09a. Standard test method for sound absorption coefficients by the reverberation room method. ASTM E795 standard practice for mounting test samples during sound absorption tests.

Drawings not to scale. Do not use as template. The information contained in this document is the property of ARTOFIX. Reproduction is prohibited.

PRODUCT SHEET_2023-04

+1.450.646.7555
info@artofix.com

artofix.com

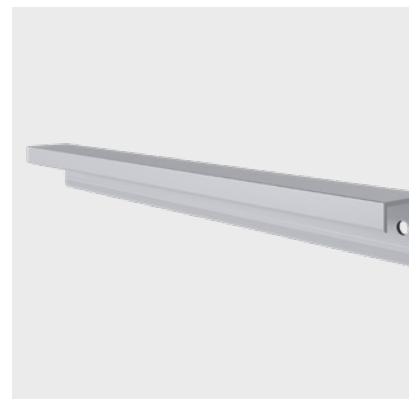
MOLDINGS



Artotrim-C1



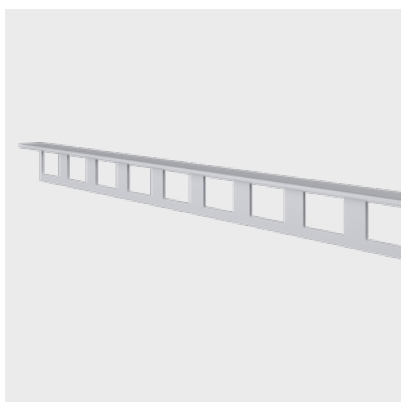
Artotrim-C2



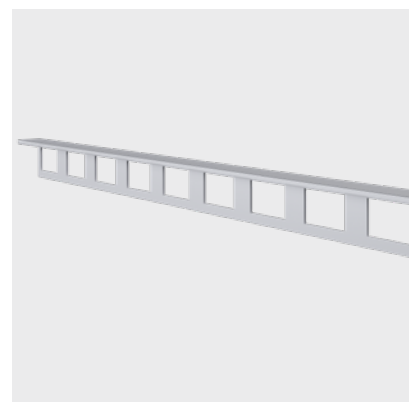
Artotrim-C3



Artotrim-ACG



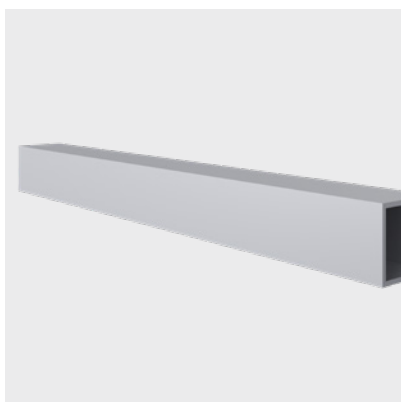
Artotrim-L1



Artotrim-L2



Artotrim-L3



Artotrim-SQ1



Artotrim-SQ2

MOLDINGS

PRODUCT INFORMATION

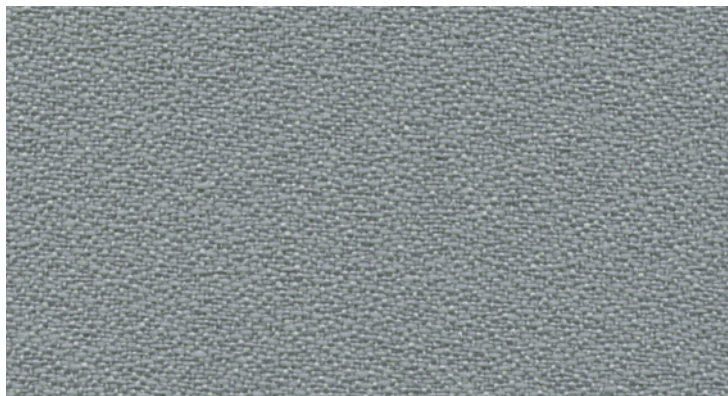
Model	Length	Code	Description & Application
MOLDINGS FOR REGULAR INSTALLATION			
Artotrim-C1	144 in 3658 mm	ARTC-1144-M-X-0000-0002	<ul style="list-style-type: none"> Perimeter molding for full tiles, including three-dimensional tiles
Artotrim-C2	144 in 3658 mm	ARTC-2144-M-X-0000-0002	<ul style="list-style-type: none"> Perimeter molding for triangular tiles (Topaz and Diamond)
Artotrim-C3	144 in 3658 mm	ARTC-3144-M-X-0000-0002	<ul style="list-style-type: none"> Perimeter molding for cut Zen tiles. Allows adjustment to wall and/or ceiling Finishing molding for obstacles (ex: light fixture, power outlet, electric baseboard, etc.)
MOLDINGS FOR SPORT-IMPACT INSTALLATION			
Artotrim-ACG	144 in 3658 mm	ARTA-0144-M-X-0000-0002	<ul style="list-style-type: none"> Perimeter molding for flat tiles, Allows adjustment to wall and/or ceiling Installed with Artotrim-L1 or Artotrim-L2 plywood finishing molding
Artotrim-L3	24 in 610 mm	ARTL-3024-M-X-0000-0002	<ul style="list-style-type: none"> 24" angle for installation with three-dimensional tiles at the perimeters, installed with the Artotrim-ACG
Artotrim-C2	144 in 3658 mm	ARTC-2144-M-X-0000-0002	<ul style="list-style-type: none"> Perimeter molding for triangular tiles (Topaz and Diamond)
MOLDINGS SUSPENDED CEILING INSTALLATION (Exposed grid)			
Artotrim-C1C*	23,75 in 610 mm	ARTC-1023-M-X-0000-0002	<ul style="list-style-type: none"> Finishing molding for cut Zen tiles. Required for adjustments along the perimeter of the ceiling.
Artotrim-C1C* Kit concave		ARTC-1001-M-C-0000-0002	<ul style="list-style-type: none"> Interior corner finishing molding for Zen suspended ceiling tiles
Artotrim-C1C* Kit convexe		ARTC-1002-M-C-0000-0002	<ul style="list-style-type: none"> Exterior corner finishing molding for Zen suspended ceiling tiles
MOLDINGS FOR SUSPENDED CEILING INSTALLATION (Concealed grid)			
Artotrim-C1	144 in 3658 mm	ARTC-1144-M-X-0000-0002	<ul style="list-style-type: none"> Perimeter molding for all full suspended ceiling tiles, including three-dimensional tiles Compatible with Zen (thin) tiles to allow adjustments along the ceiling perimeter or to contour obstacles (sprinklers, light fixtures, speakers, etc.)
OTHER MOLDINGS			
Artotrim-L1	96 in 2438 mm	ARTL-1096-M-X-0000-0002	<ul style="list-style-type: none"> Finishing molding for 1/2 in plywood backing
Artotrim-L2	96 in 2438 mm	ARTL-2096-M-X-0000-0002	<ul style="list-style-type: none"> Finishing molding for 5/8 in plywood backing
Artotrim-SQ1	144 in 3658 mm	ARTS-1144-M-X-0000-0002	<ul style="list-style-type: none"> 3/4 in x 3/4 in square tube for inner and outer corners Compatible with Artotrim-C1 molding
Artotrim-SQ2	144 in 3658 mm	ARTS-2144-M-X-0000-0002	<ul style="list-style-type: none"> 1 in x 1 in square tube for inner and outer corners. Compatible with Artotrim-C3 molding

Finish: Anodized aluminium. Black and white finishes are optional.

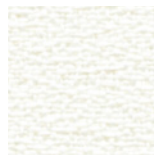
*Colors may vary from physical fabrics.

ANCHORAGE

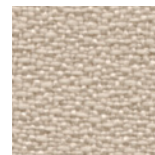
2335



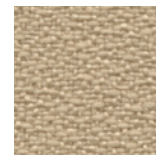
Slate
2017



White
2664



Birch
2129



Vanilla
2130



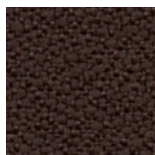
Shadow
6694



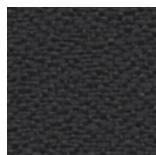
Angora
2035



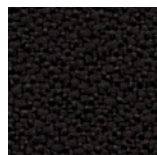
Goose
2049



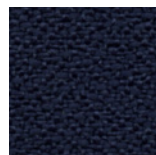
Coffee Bean
2083



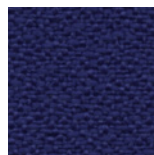
Graphite
2079



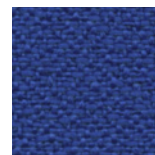
Onyx
2016



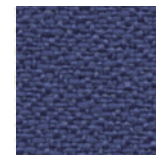
Midnight
2025



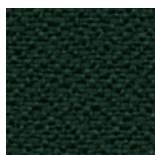
Cobalt
2045



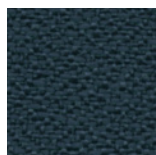
Lapis
2094



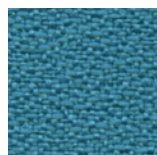
Thistle
2085



Pine Needle
2022



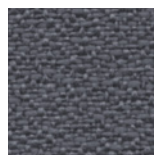
Deep Water
2051



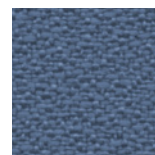
Waterfall
2691



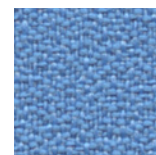
Asteroid
2053



Wolf
2027



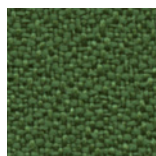
Quarry Blue
2026



Pool
2842



Turquoise
2841



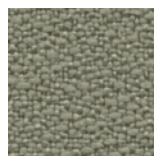
Fern
2840



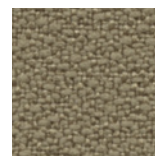
Willow
2028



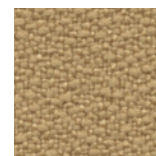
Green Apple
2087



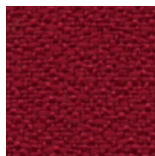
Eucalyptus
2047



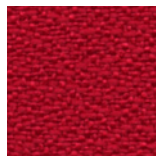
Cumin
2050



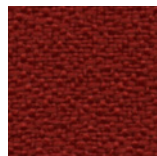
Straw
2034



Red Delicious
2014



Geranium
2084



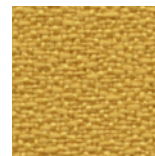
Poppy
2091



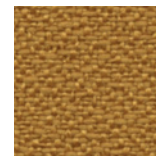
Pumpkin
2021



Lemon
2839



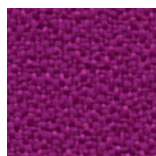
Sunshine
2082



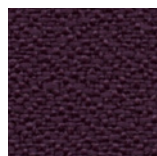
Goldenrod
2090



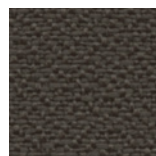
Mulberry
2044



Orchid
2843



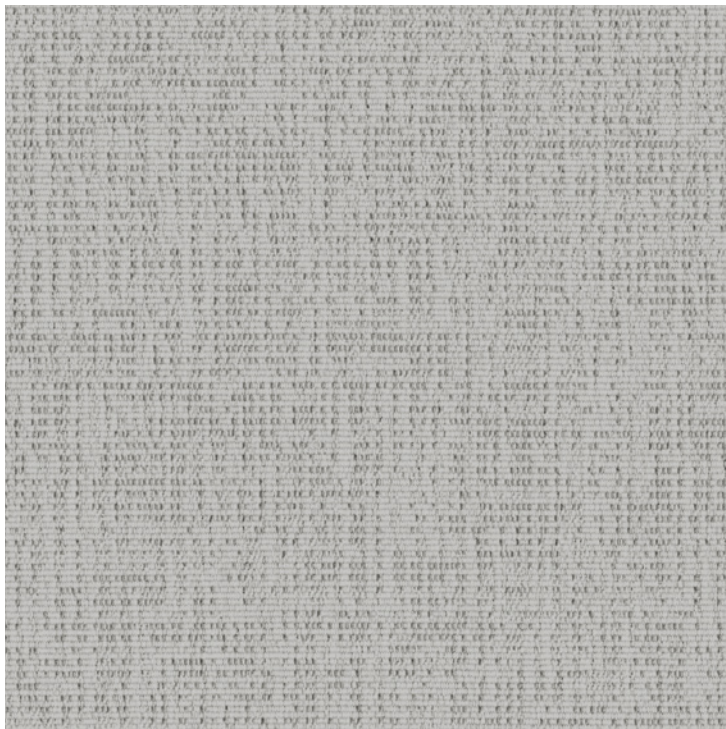
Aubergine
2036



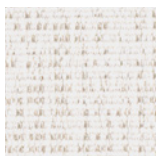
Fossil
2093

*Colors may vary from the physical fabrics. For validation, please order samples.
FABRICS_CARD_2023-07

MARIN 1300



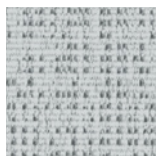
Dolphin
 1147



Great White
 1143



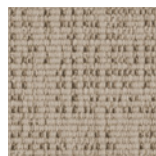
Ice Edge
 1145



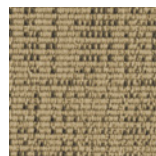
Sea Glass
 1146



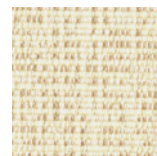
Grey Whale
 1148



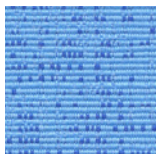
Sand
 1142



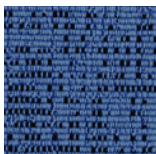
Pelican
 1141



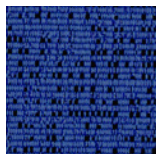
Tusk
 1144



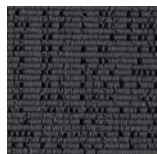
Swell
 1155



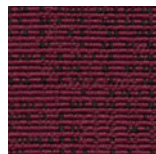
Benthic
 1157



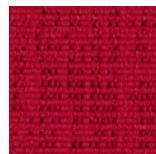
Intertidal
 1156



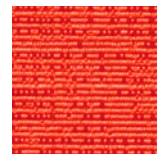
Blacktip
 1149



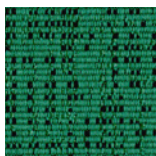
Carrageen
 1150



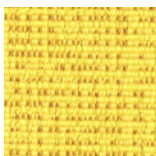
Red Snapper
 1151



Clownfish
 1152



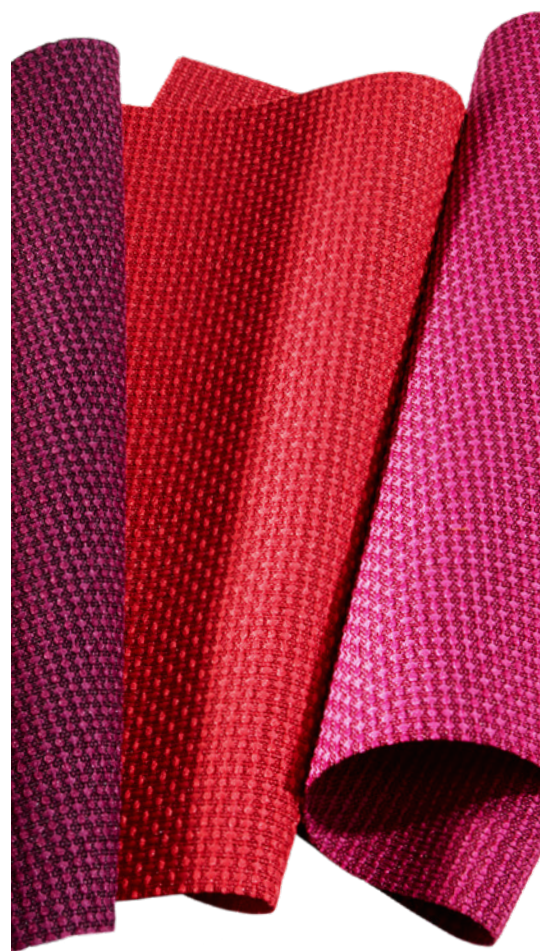
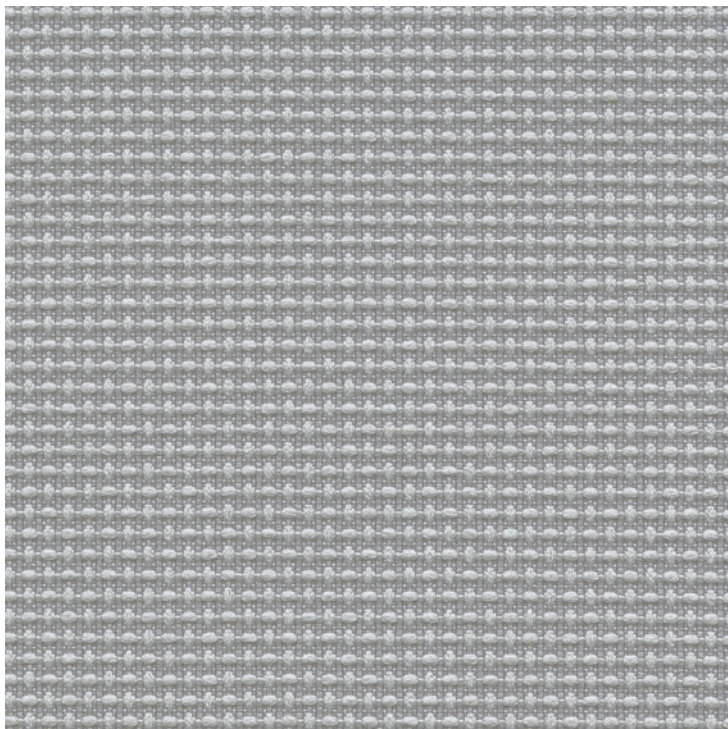
Mangrove
 1154



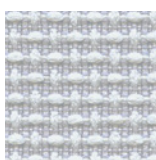
Sunfish
 1153

QUADRILLE

4701



Gambol
1003



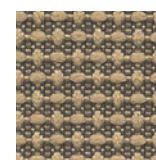
Cabaret
1002



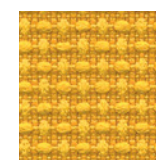
Fair
1001



Leisure
1004



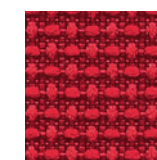
Regalia
1005



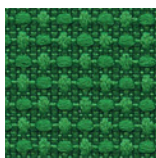
Zest
1007



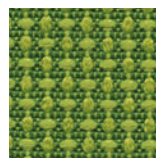
Fiesta
1008



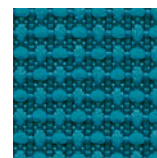
Carnival
1009



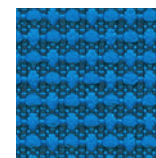
Shenanigan
1017



Spring
1006



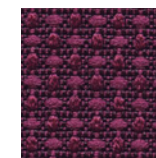
Escapade
1016



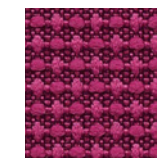
Revelry
1015



Soiree
1014



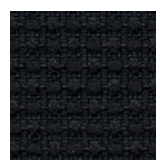
Jubilee
1011



Spree
1010



Opus
1012



Masquerade
1013

*Colors may vary from the physical fabrics. For validation, please order samples.
FABRICS_CARD_2023-07

FELTINA®

1000



Smoke
1005



Ash
1002



Pebble
1009



Iron
1007

*Colors may vary from the physical fabrics. For validation, please order samples.
FABRICS CARD_2023-07