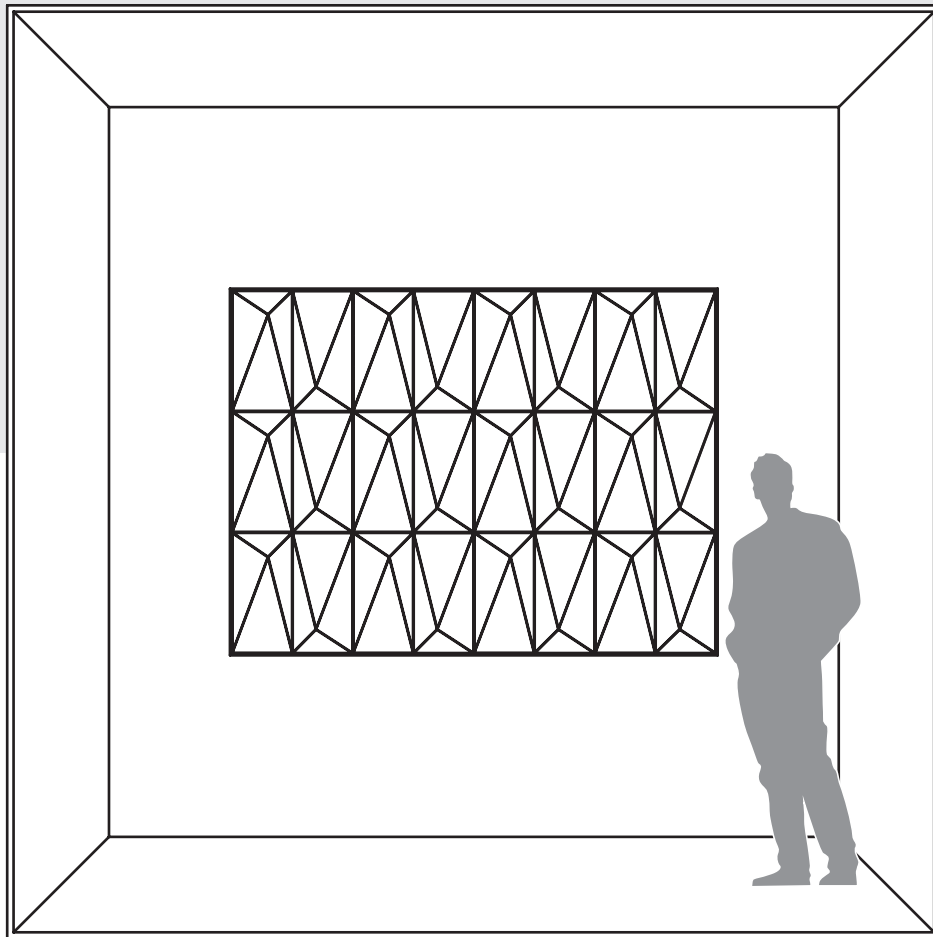


# ARTOFIX

## **INSTALLATION GUIDE** ACOUSTIC TILES



### **FRAMED**

for whole tile projects

## NOTES

1. Artofix acoustic tiles can be installed directly onto a drywall or ceiling.
2. For walls, tiles can be secured to the surface with a manual or pneumatic stapler.
3. For ceilings, tiles must be secured to the surface using a drill or screwdriver, or stapled with a pneumatic stapler.
4. The surface must be clean and uniform.
5. Dark tiles: We recommend painting the wall or ceiling a similar color to the tile before starting the installation.

## REQUIRED TOOLS

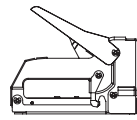
(not included)



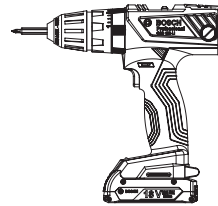
Measuring tape



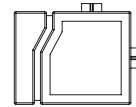
Utility Knife



Manual, or Pneumatic Stapler



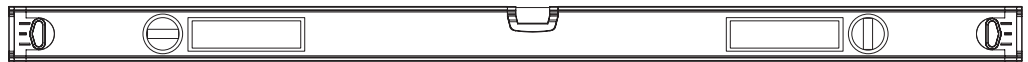
Power Drill



Laser Level



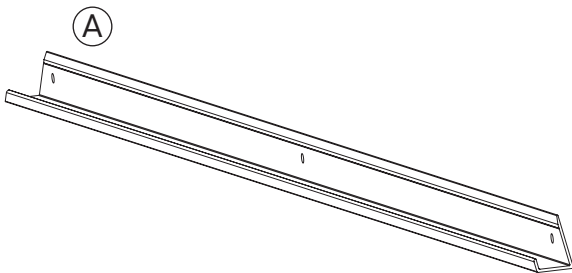
Pencil



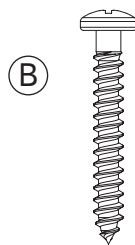
Level

## HARDWARE

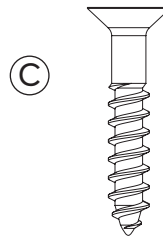
(included with product, unless otherwise specified)



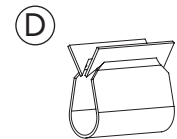
**ARTOTRIM-C1**  
Aluminum anodized, perimeter molding for full tiles, including three-dimensional tiles



**SCREW FOR TILES**  
Wood or drywall screw  
#6 x 1-1/8"  
Stainless steel or equivalent  
(not included)



**SCREW FOR MOLDING**  
Flat head, wood screw  
#8 x 1-1/8"  
Zinc plated or equivalent  
(not included)

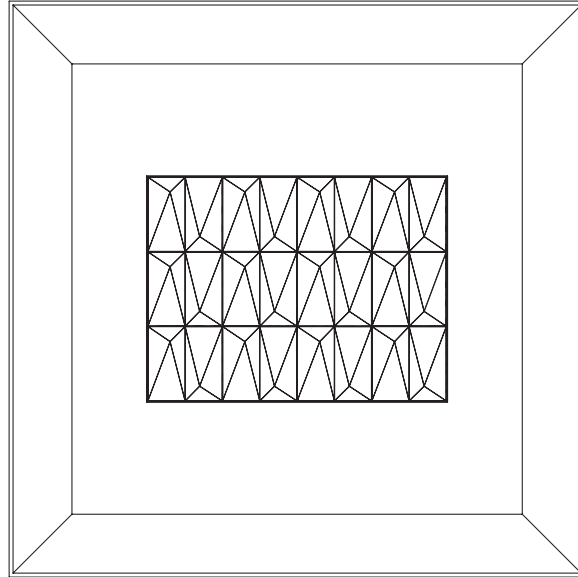


**ARTOCLIP**  
Retaining clip  
1/2 x 7/16 x 1/4"  
(12,7 mm x 11,1 mm x 6,35 mm)

## STEPS FOR INSTALLATION

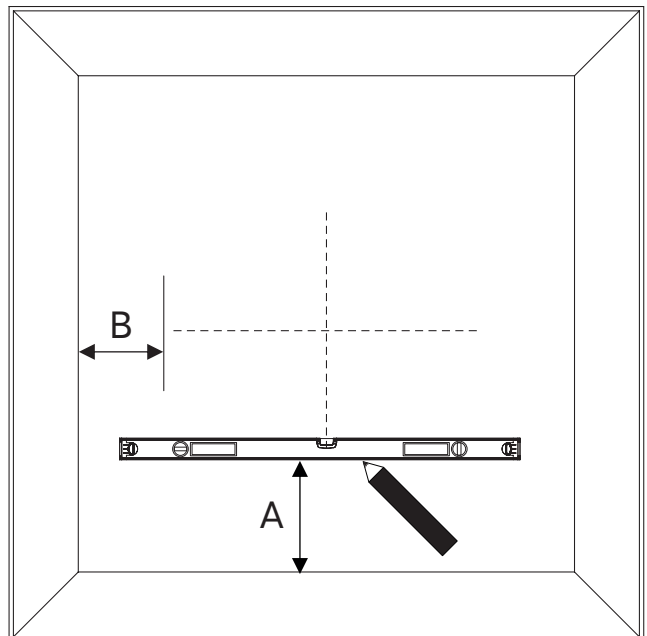
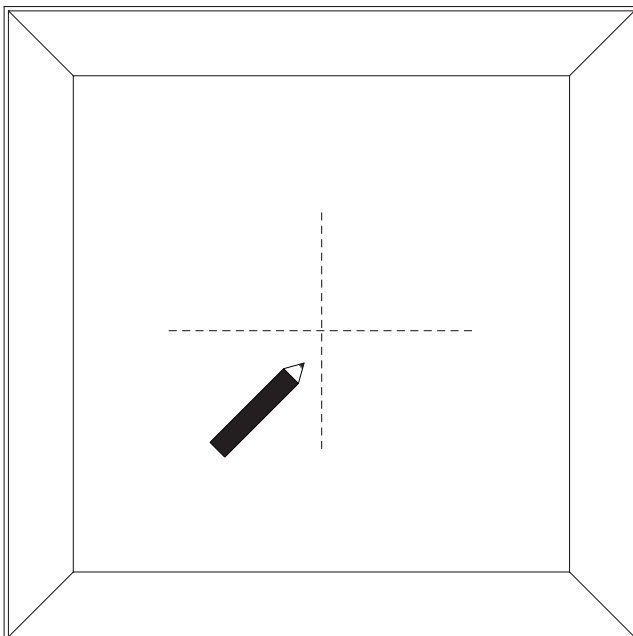
### STEP 1 Placement

Choose a location to install the tiles, and determine the height and width of the surface.



### STEP 2 Measurements

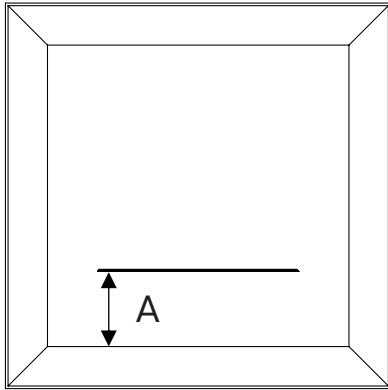
With the help of a measuring tape and a pencil, determine the center of the surface to be covered. Using a level, mark two sides of the frame that will be created using moldings (height A and distance from wall B).



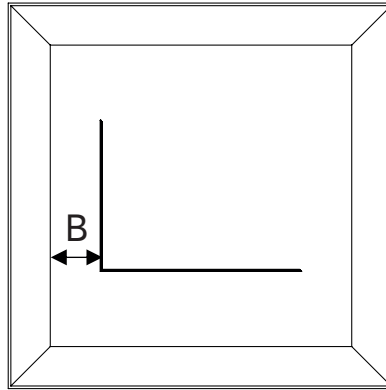
**STEP 3** Moldings

Using a tape measure and level, install the ARTOTRIM-C1 moldings. Use the necessary hardware depending on the type of wall.

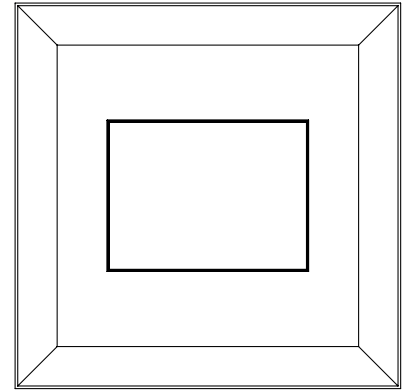
a) Install the first molding horizontally at determined height **A**.



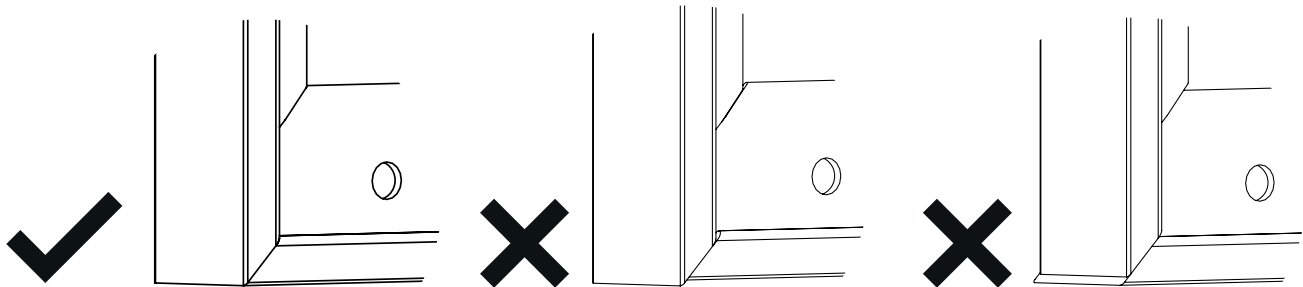
b) Install the next molding vertically at distance **B** from the wall.



c) Install the remaining 2 moldings to complete the frame.



\* Make sure to properly align the corners. See examples below \*

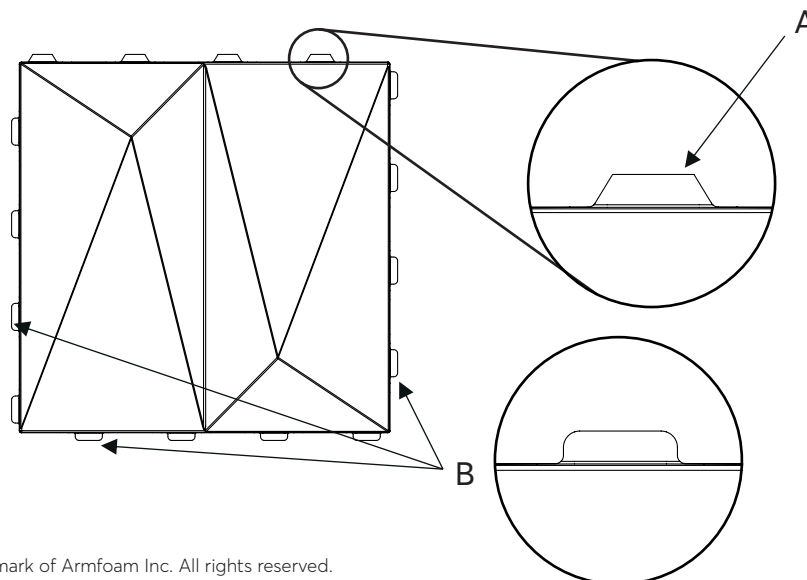


**STEP 4** Tiles

Select a tile pattern.

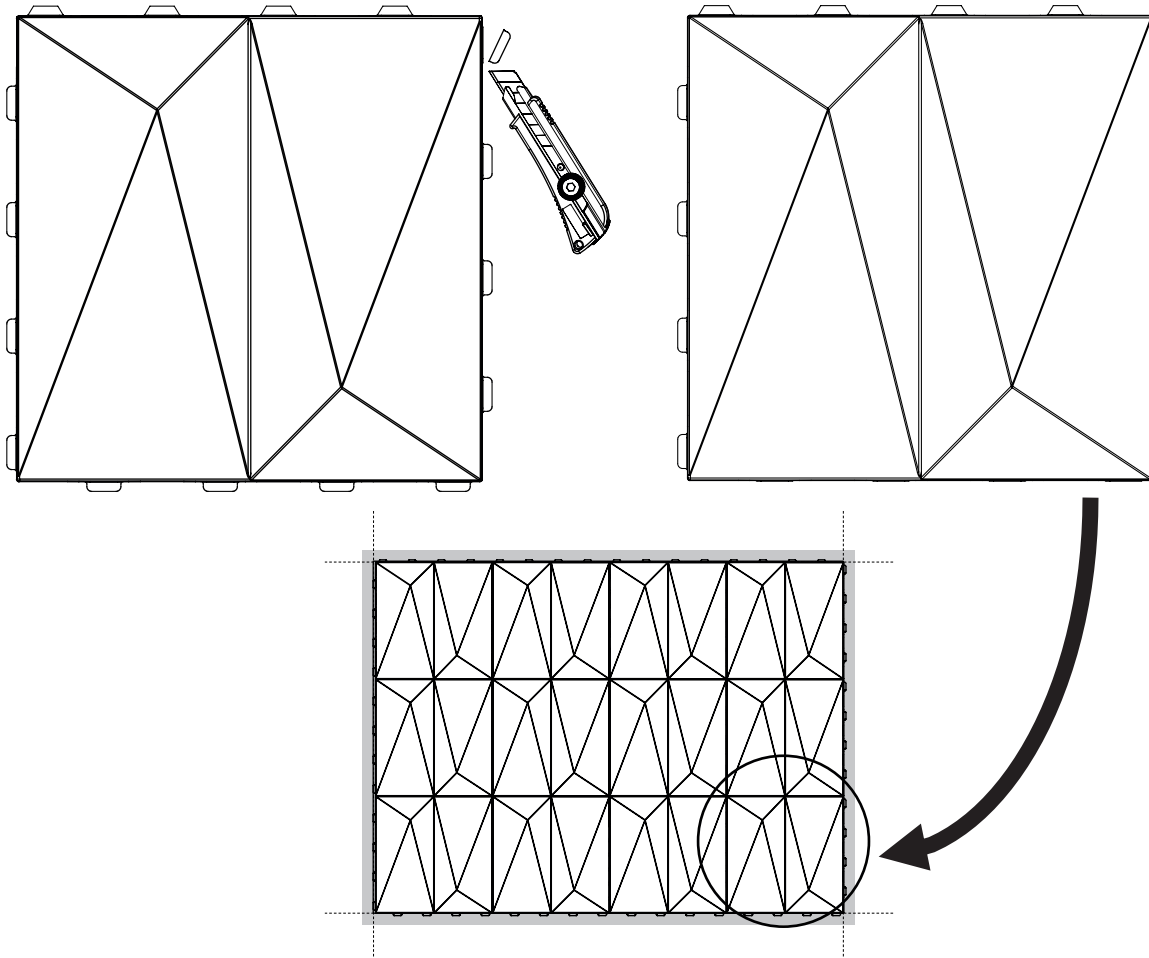
Depending on the chosen pattern, tiles may be oriented vertically, horizontally, or both.

**Note:** Tiles have both rounded and squared TABS. The tabs indicate the direction of the tile. Use TABS as a guide to properly arrange tiles oriented in the same direction.



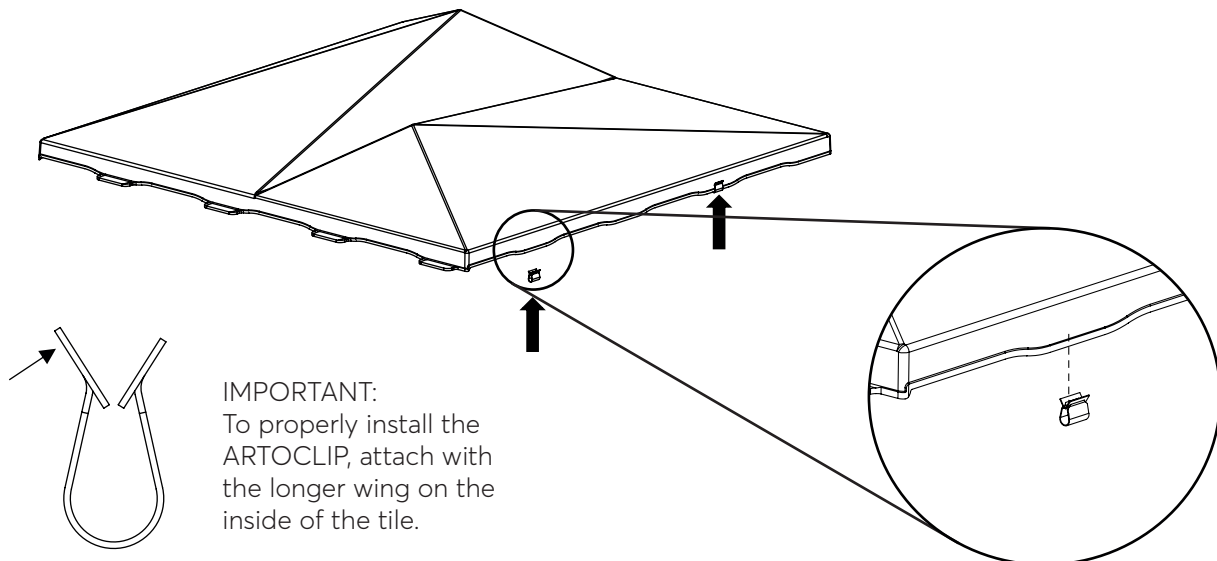
**STEP 5** Tabs

With a utility knife, cut the tabs off the sides of the tiles that will be up against the perimeter of the ARTOTRIM-C1 frame.



**STEP 6** Attaching ARTOCLIP retention clips

Attach 2 ARTOCLIP retention clips on every side that will be in contact with the ARTOTRIM-C1 frame. The retention clips hold the tile in place within the frame.

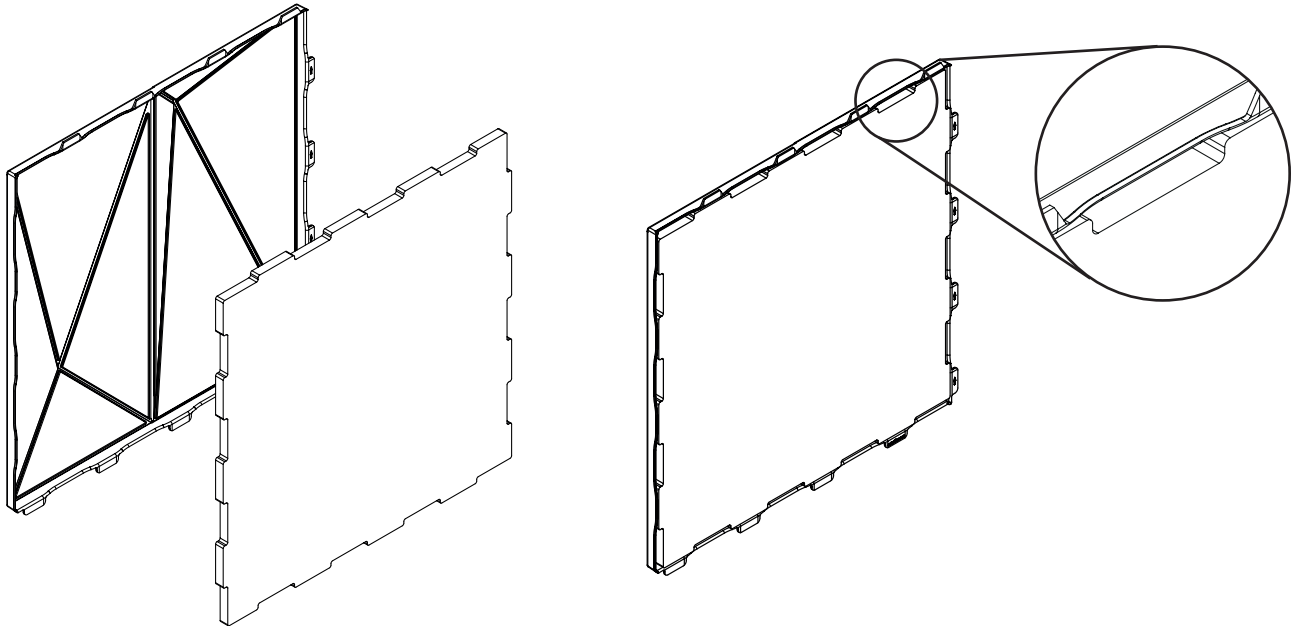


**IMPORTANT:**  
To properly install the ARTOCLIP, attach with the longer wing on the inside of the tile.

**STEP 7** Stone wool

Flat tiles: The stone wool panel comes pre-assembled inside the tiles.

Three-dimensional tiles: Insert the stone wool panel inside the tile, make sure to position the notches as indicated. An improperly placed stone wool panel will block the notches, and prevent the tabs on surrounding tiles from inserting.



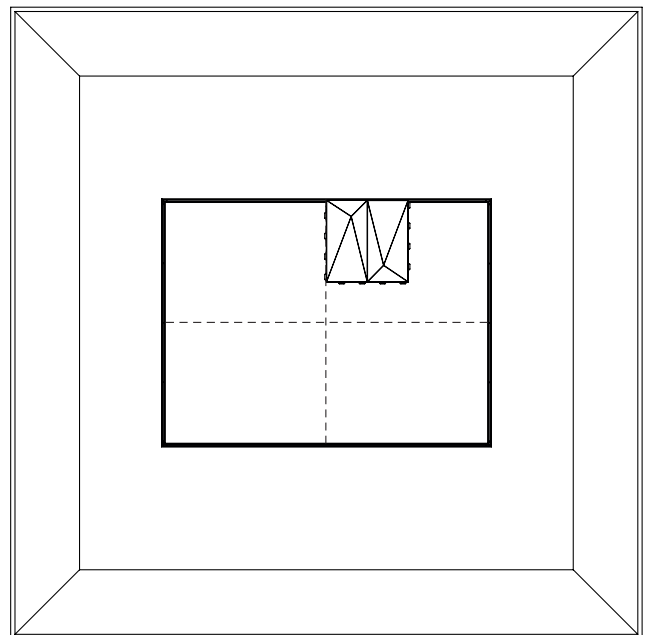
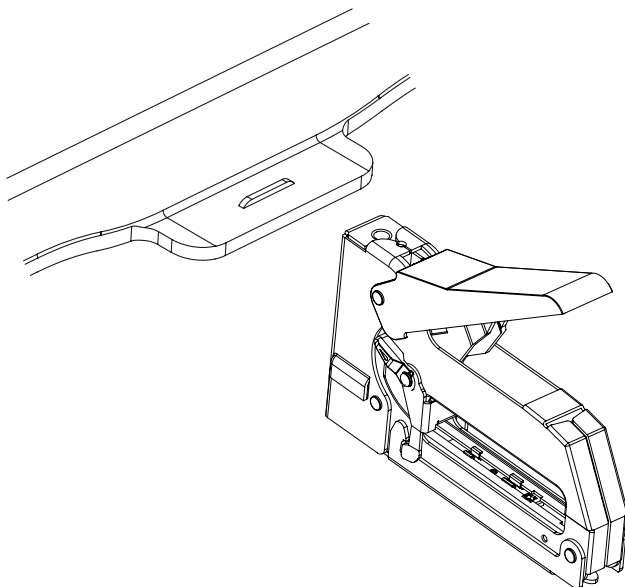
**STEP 8** First tile

Install the first tile with ARTOCLIP next to the centerline, and against the upper ARTOTRIM-C1 molding. Staple all the tabs to the surface using a manual or pneumatic stapler.

Use galvanised steel staples:

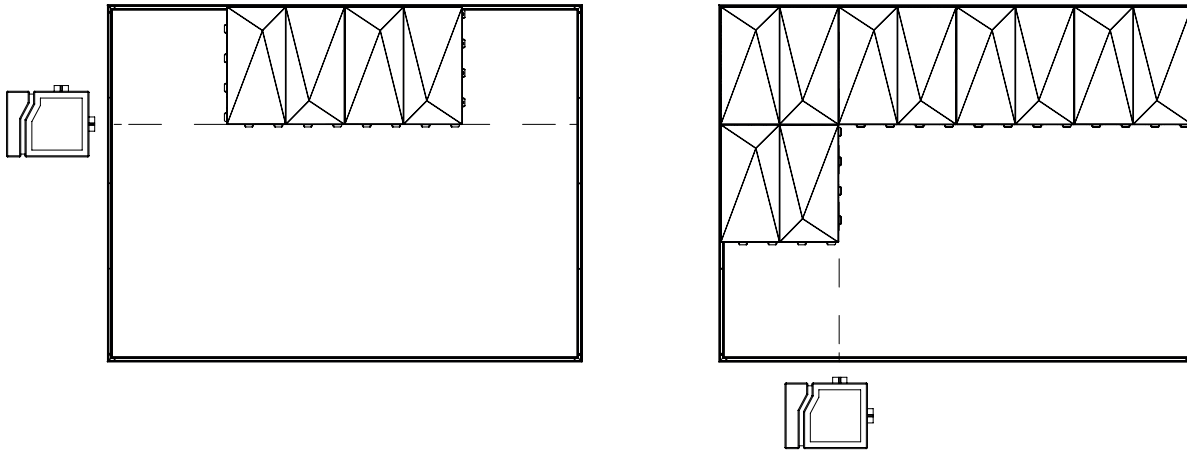
1/2" (12,5 mm) for manual stapler

1" (25,4 mm) for pneumatic stapler



**STEP 9** Alignment

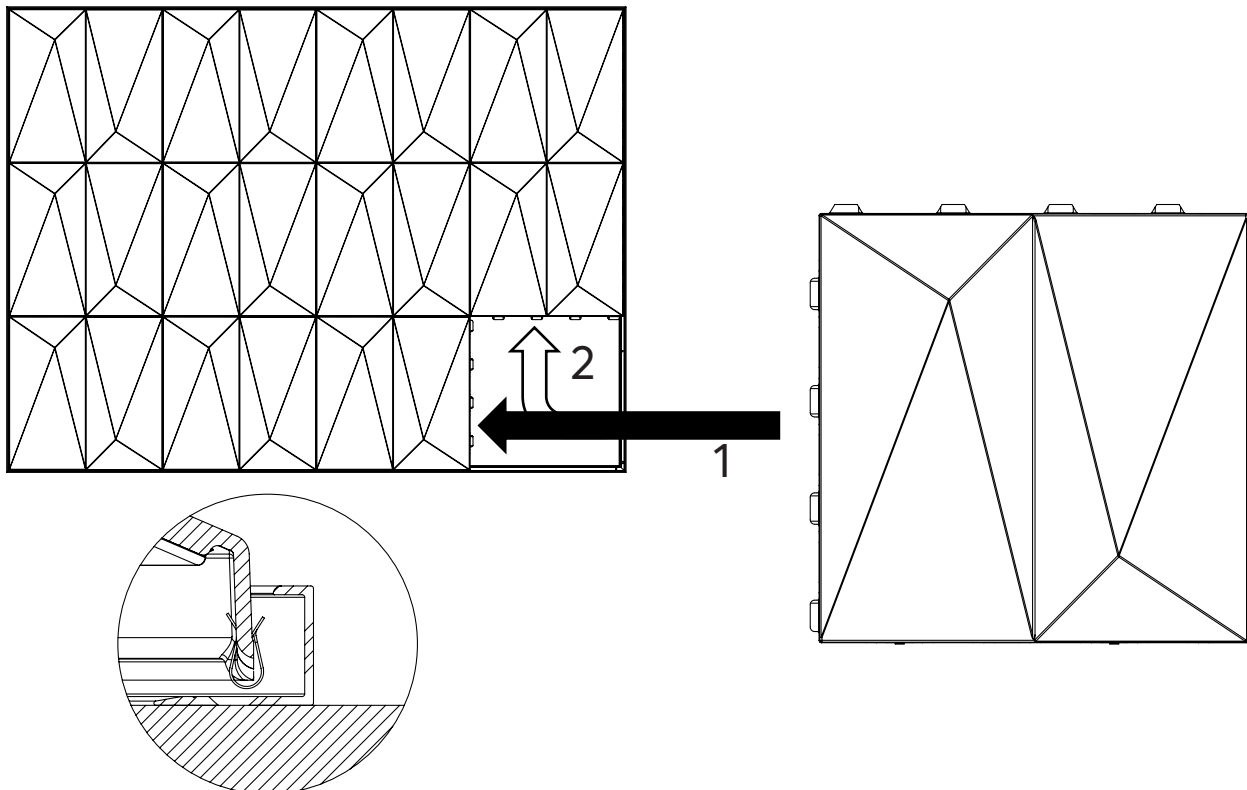
Continue to install the other tiles, verifying the alignment every 3 or 4 tiles using a laser level.



**STEP 10** Final tile

Complete the installation with the last tile in the corner.

1. Insert the side tabs of the tile with ARTOCLIP into the notches of the already installed tile.
2. Once the tabs are properly seated, insert the top tabs and push in the sides with ARTOCLIP until the tile is fully within the ARTOTRIM-C1 frame.



## MAINTENANCE

1. It is recommended to have clean, dry hands while handling the Artofix tiles.
2. Use only a clean, soft, lint-free cloth to lightly wipe dirt off the surface of acoustic tiles.
3. Use only a gentle soap and a bit of water on the surface for more stubborn stains.
4. Do not use a solvent-based cleaning product or any other chemical products that could damage Artofix tiles.

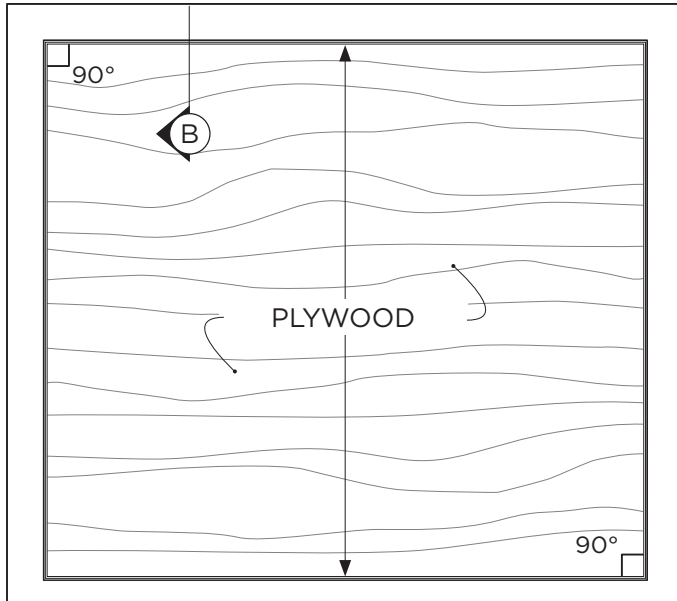
To learn more about our products, visit our website [www.artofix.com](http://www.artofix.com)



## ANNEX A

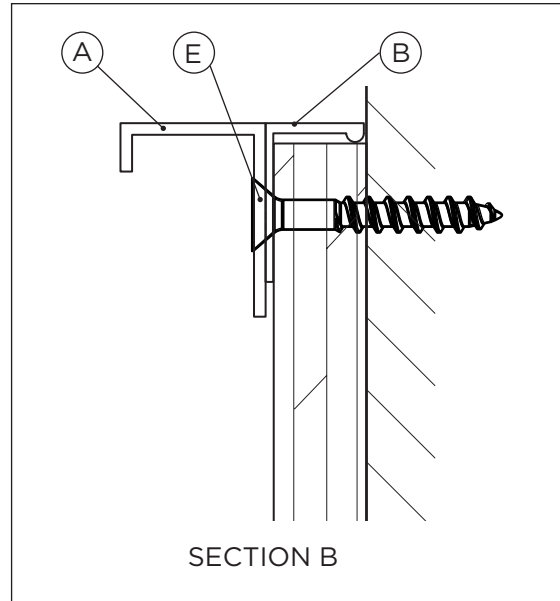
### IRREGULAR INSTALLATION SURFACES

CEILING AND CONCRETE PARTITIONS, CONCRETE BLOCKS, TERRACOTTA, etc.



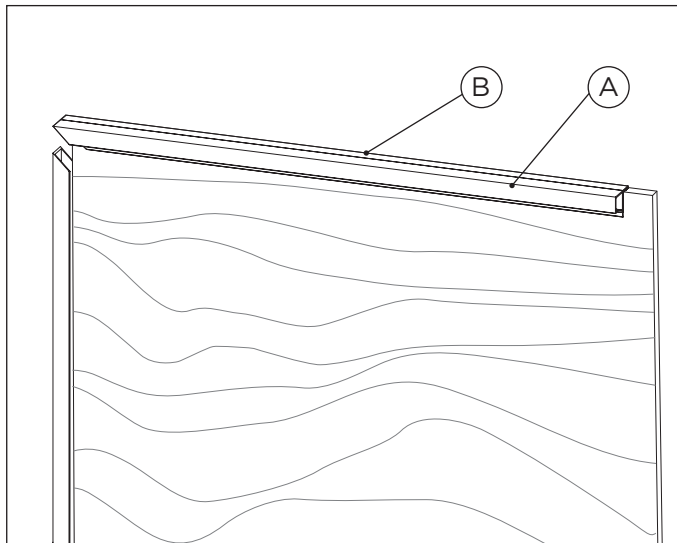
#### A. INSTALLING PLYWOOD AND MOLDINGS

In the event that the installation surface is irregular, brittle, or inadequate such as concrete blocks, terracotta, plaster, etc., it is necessary to install a backing such as plywood, **before** installing tiles.



#### B. SECTION VIEW - PLYWOOD BACKING

Material and assembly details.



- (A) ARTOTRIM-C1
- (B) ARTOTRIM-L1
- (E) SCREW

#### C. PLYWOOD FINISHING

The protective ARTOTRIM-L1 molding must be installed to cover the visible edges of the 1/2 in (12,5 mm) plywood backing\*. Secure with #8 screws.

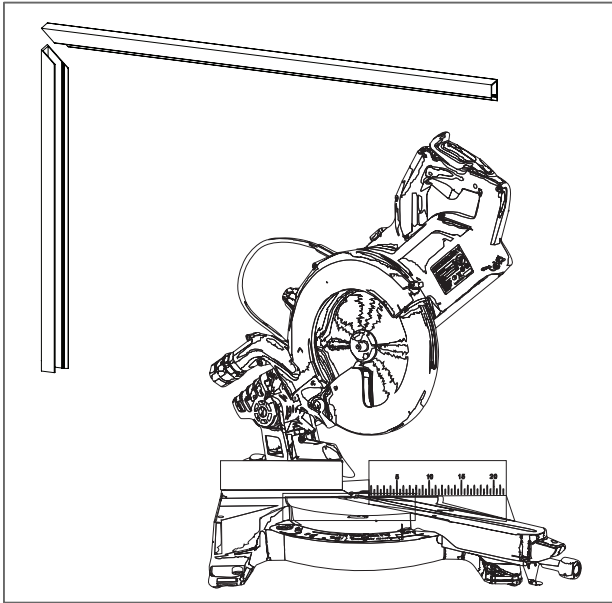
The protective ARTOTRIM-C1 molding for tiles can be attached on the perimeter of the plywood backing at the same time, with the same type of screw. (See B. SECTION VIEW)

\* The plywood backing of appropriate grade must be installed in accordance with the recommendations of a professional, with the help of anchors adapted to the type of surface.

## ANNEX B

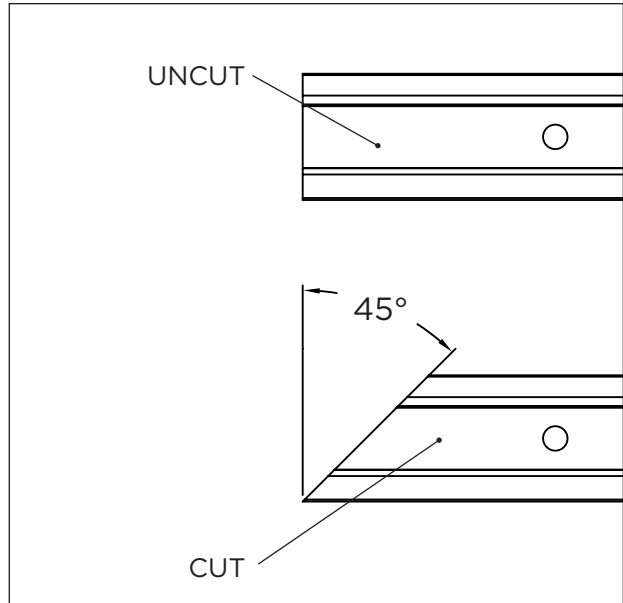
### CUTTING MOLDINGS

#### PERIMETER MOLDINGS AND FINISHING MOLDINGS



#### A. CUTTING MOLDINGS

All moldings must be assembled at a right angle (90°) and must be cut at 45° using a miter saw.



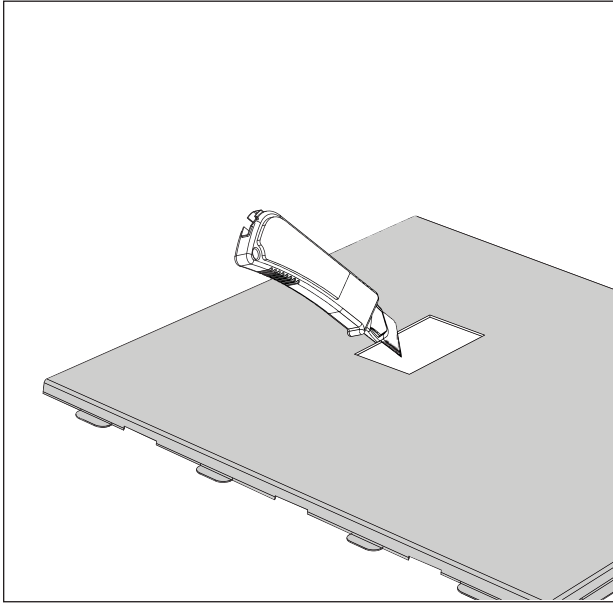
#### B. CUT MOLDINGS

After cutting, the end of the moldings must be as illustrated to allow the assembly of the parts.

## ANNEX C

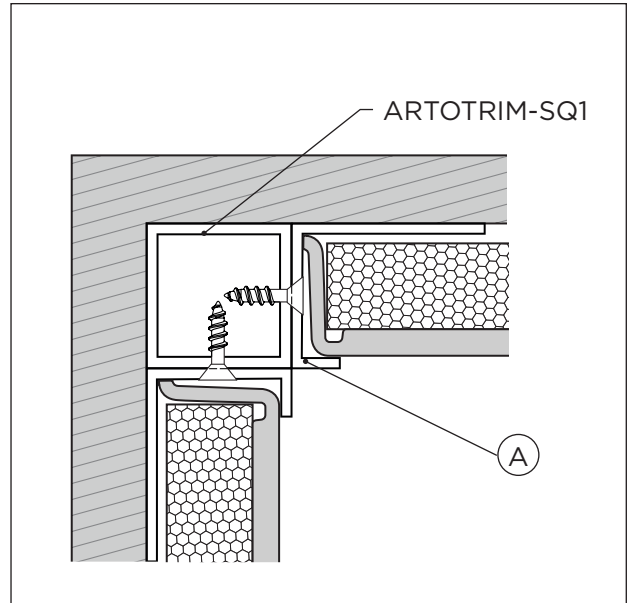
### TIPS AND TRICKS

#### OBSTACLES AND CORNERS



##### A. OBSTACLES

To allow access to elements located on the walls or ceiling, such as switches, thermostats, sprinklers, etc., it is possible to cut the tiles with a utility knife. Place the tile in the same manner, then proceed with installing the other tiles using the same method.



##### B. CORNERS

To finish a convex or concave corner, install an ARTOTRIM-SQ1 corner profile first, and then screw the ARTOTRIM-C1 (A) moldings to each side.