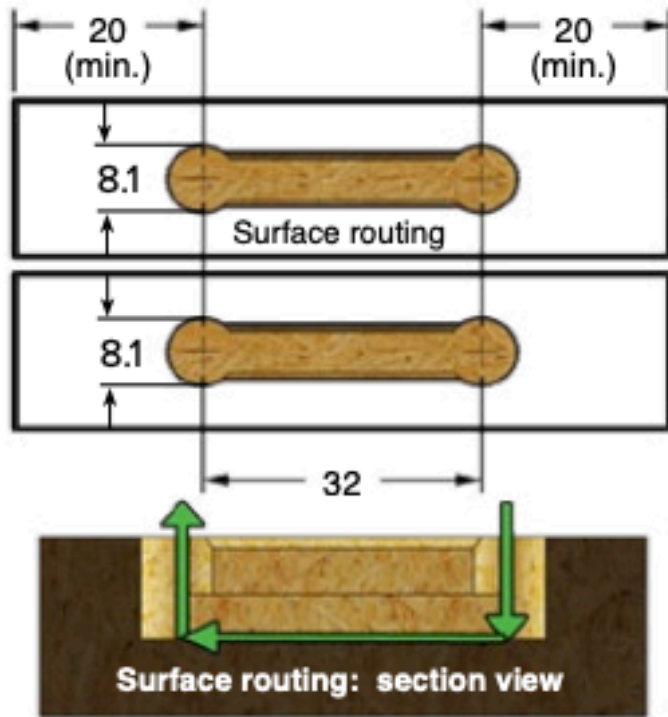
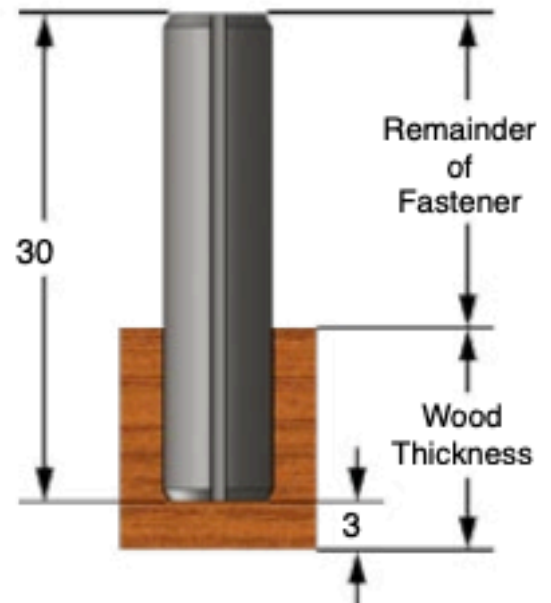


Barbed H-Clip | ROUTING INSTRUCTIONS

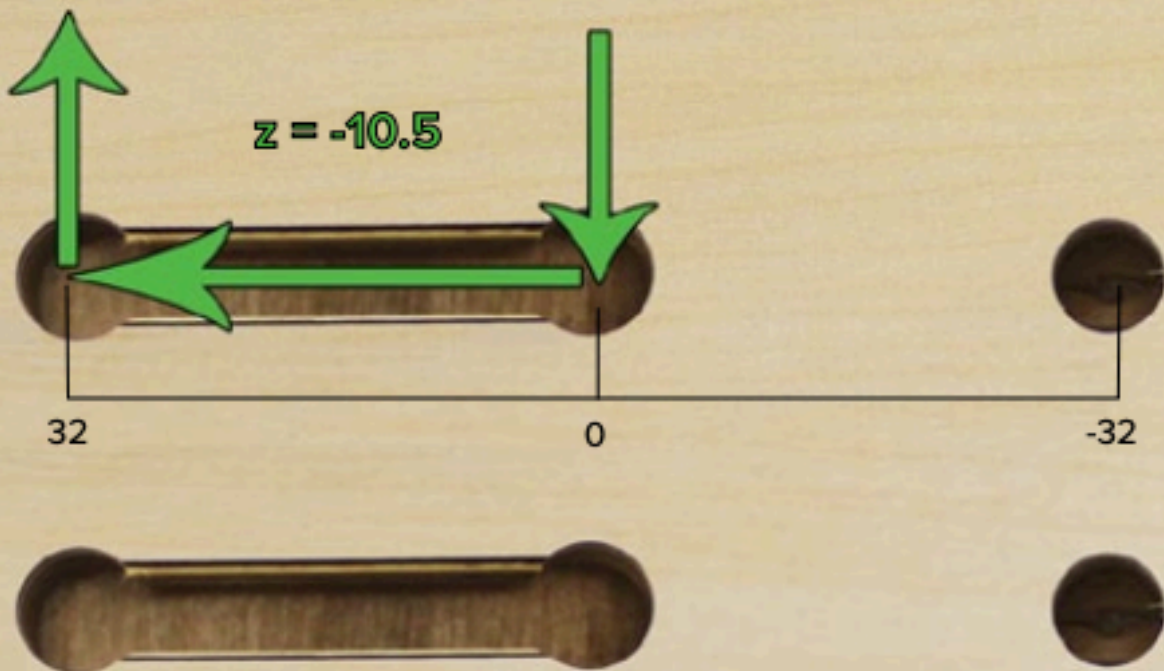


Spring Pin adds shear strength and rigidity to eliminate the necessity for gluing and clamping wood dowels.



➔ Plunge Cut: Z -10.5 | Slot: X 32 | Retract: Z 10.5
(Allowable depth range is -10.5 to -10.85)

Hole Diameter: 8*
Hole Depth: See above



All measurements are in mm

* If using MDF, replace 8mm Drill Bit with 8.2mm Drill Bit.