

# Nylon Cinch Fasteners | DRILLING INSTRUCTIONS

## 10mm Cinch - Non-Removable Fastener

Recommended wood thickness: 16 to 19mm

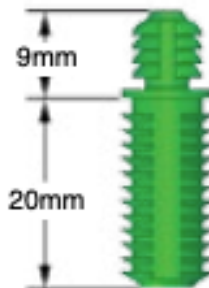
Pull strength: 60 to 70 lbs. (27.2 - 31.7 kgs)

Female Cinch Housing  
Part Number: 5001



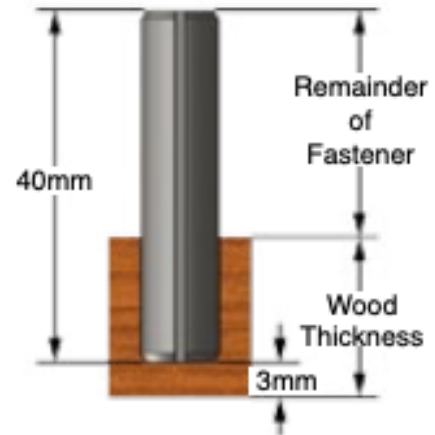
Hole Diam: 10.6mm  
Hole Depth: 10mm  $+1\text{mm}$   
 $-0\text{mm}$

Male Cinch Pin  
Part Number: 5023



Hole Diam: 8mm  
Hole Depth: 20mm  $+1\text{mm}$   
 $-0\text{mm}$

Spring Pin  
Part Number: 8002-40-R5



Hole Diam: 8mm  
Hole Depth: See Above

Spring pin adds shear strength and rigidity to eliminate the necessity for gluing and clamping wood dowels.