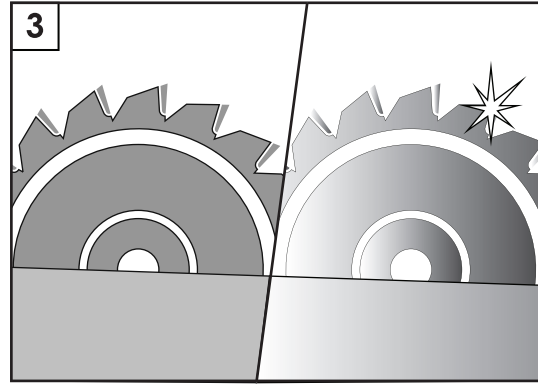
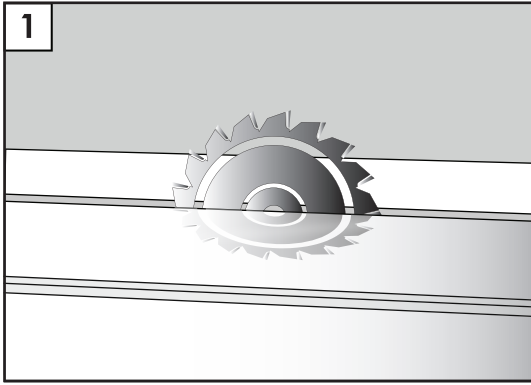




**PROFILE**  
OPERATING MANUAL

 **AGT**  
innovation chasers



**1.** Butress threaded saw shall be used for cutting.

**2.** Cutting on the cutting machine shall be performed in 90 degree vertically and in 45 degree horizontally.

**3.** It shall be ensured that the saw is ground well.

**4.** The PVC surface coating that you use is hardened specifically against scratching. Against the possibility that two hard surfaces damage each other, the production shall be carried out in such a way that materials do not rub with each other.

**5.** Potential thickness differences at corner joints shall be reflected on the rear surfaces. (Even though MDF thickness difference tolerances vary by thickness in technical catalogues, it is  $\pm 0,2$  mm for the products up to 19 mm and 0,3 mm for the products thicker than 19 mm.

**6.** Applying some silicon or adhesive on profile channels before the assembly will increase the cover quality and fill the gaps inside.

**7.** Each model does not have its own glass model. Therefore, in case making a glassed model, you can obtain a glass model by cutting the bulge at the underneath of channel. Dovetail system shall be preferred for the joints at 45 degree. If a glued joint is made, dowel shall be used.

**8.** It shall be ensured that the ambient temperature is around 25 degree in order to let penal products be cut without any problem.

**9.** Profiles shall be cut in such a way that the front surface stays on the upper side.

**10.** For 1 size product 2 bumps can be located on the condition that the diameter of a bump is smaller than 1.5 mm and distance between each bump is at least 50 cm. Any bump with a diameter bigger than this cannot be accepted.

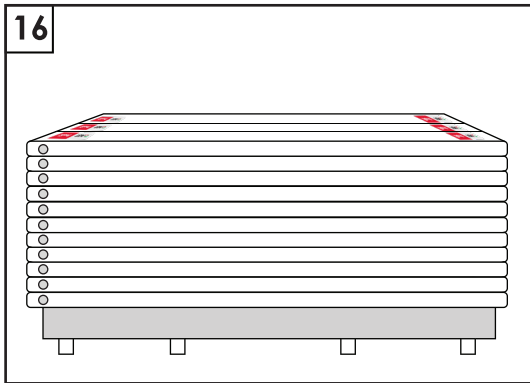
**11.** Production tolerance for the possible defects at the edges of product is 7 mm for both edges of the profile.

**12.** 1 collapse spot may be located for 1 size product provided that the diameter of this spot is smaller than 2 mm.

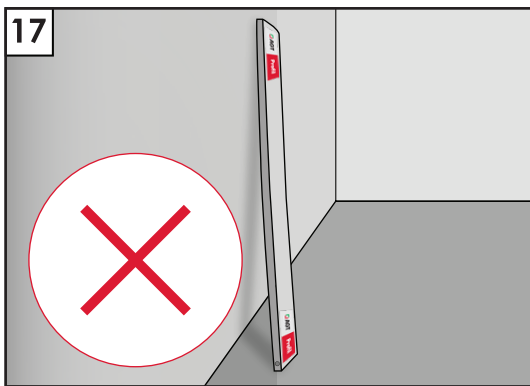
**13.** Only 1 stain can be located on one size product on the condition that its diameter is smaller than 2 mm and it is not apparent when observed from 60 cm distance at an angle of 45-degree.

**14.** Only 1 stain can be located on a profile on the condition that it is not apparent when observed from 60 cm distance at an angle of 45-degree. Apparent discolouration (white-colour) cannot be accepted.

**15.** Products that are coated by protective film layer on the product surface (for protection) shall not be removed after the assembly because of the fact that it minimizes the damages that may occur during the production.



**16.** When the product is stocked up horizontally at the warehouse it shall be ensured that it is stocked up on chocks at equal intervals to avoid rotation.

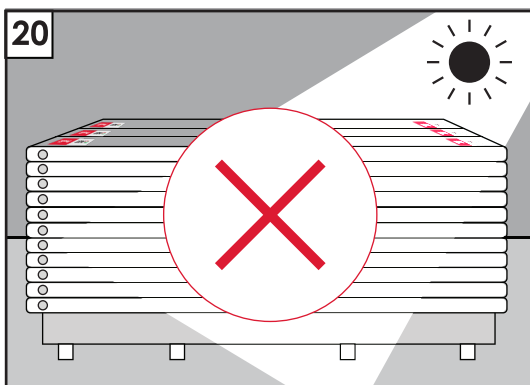


**17.** When products are put into process stowing shall be applied cautiously in order to prevent the formation of crushing, collapse and fracture at the edges and corners. In order to prevent rotation, products shall be:

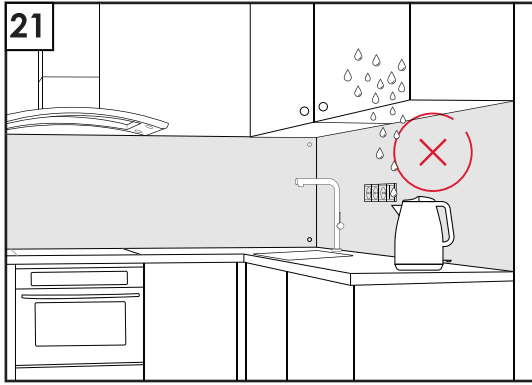
- Products shall never be kept vertically!
- The air circulation of warehouse shall be minimized. Product storage areas shall be away from the doors.

**18.** Make sure that the products are moved at the warehouse by lifting and they do not rub with each other while moving.

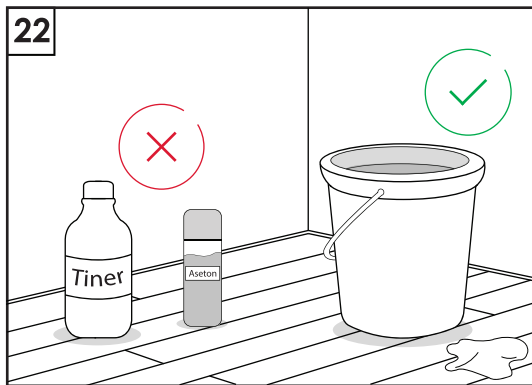
**19.** Colour tones and production dates shall be taken care of for the successive works.



**20.** Products shall not be subjected to direct sunlight.

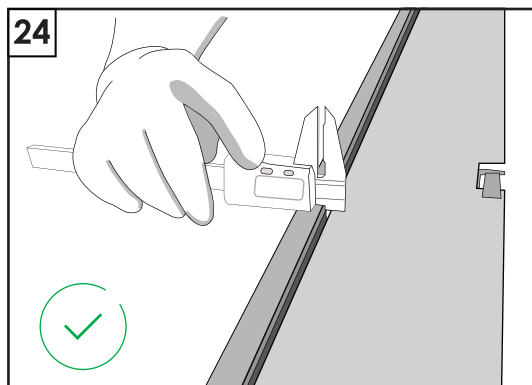


**21.** Products shall not be used at the open spaces, gardens and places where are washed through water and where are directly subjected to steam.



**22.** Wet-cotton cloth, soapy-cotton cloth or alcohol-free fluid surface cleaning agents shall be used for cleaning the products.

**23.** Alcoholic surface cleaning agents and scrubbing agents shall never be used. When you use such agents, it will cause tarnishing and scratching on the surface. Thinner and substances that contain acid shall never be used for cleaning.



**24.** The extent of rotation on the profile shall be maximum 10 mm for the length. This may vary by the opened milling cutter channel and model. However, rotations on end grain and blade direction cannot be accepted.

Rotations, which occur as a result of situations where products are stowed improperly, temperature and humidity values of storage area are out of limit and products are exposed to air circulation that are out of limit, and therefore go out of limit values are not covered by the guarantee.

**25.** While profiles are carried by hands protective gloves and shoes shall be worn in order to avoid injuries.

## Conditions for Warranty and Return of Products

- 1.** The warranty period is 2 years which begins as of the date that the product is purchased by the customer.
- 2.** The description of the defect, test results if any and clear visual material (photograph, video, ...) showing the defect must be submitted to our company for any products that are claimed to be defective, along with the right (\*) the customer wished to exercise concerning the product, within the legally allowed period.

(\*) In accordance with the Protection of Consumer Rights Law No 6502 article 11 you, as a consumer, have the right to demand one of the following actions concerning your product;

- a)** Retract your contract by notifying that you are ready to return the sold product,
- b)** Keep the product and ask for a discount in the amount of the defect from the sales price,
- c)** If it does not impose an exorbitant expense, to ask that the sold be repaired free of charge at the seller's expense,
- d)** If possible ask for the products to be replaced with a non-defective product.

- 3.** In the event of such a claim the documents will be examined and if necessary a sample will be requested to conduct analyses and tests on. The "Product Inspection report" that is to be prepared after these analyses and tests, will determine if the error, fault or defect that is claimed originates from production and if it is within the scope of the warranty.
- 4.** If an error, fault or defect is determined to be covered by warranty, the right you choose to exercise will be met.
- 5.** If repair is requested during the warranty term the maximum repair period is 30 days.
- 6.** The maximum useful life for a product is 10 years.

Situations that are not covered by warranty:

- 1.** Situations that are not caused by production.
- 2.** Use of the products in a way that violates user and maintenance instructions.
- 3.** Deformations that occur on the product's surface due to transport or relocation after delivery of the product, damages and faults that occur due to external factors (impact, scratching, breaking).
- 4.** Assembly by unqualified individuals, incorrect installation against the instructions and damages and faults caused by external elements.
- 5.** The use of corrosive chemicals like thinner acetone, paint remover, bleach, hydrochloric acid and decolorants and abrasive detergents. Surface faults and deformations caused by the use of corrosive deep cleaning tools like sandpaper, steel wool and scrubbers.

No one other than the company can claim a different warranty condition and make such a request.

The correspondent for complaints and objections:

All applications for complaints and objections can be submitted to consumer courts and consumer arbitration boards.

 **AGT**

[agt.com.tr](http://agt.com.tr)

     /agtthinkwithus

**Merkez | Head Office**

Organize Sanayi Bölgesi  
3. Kısım, 35. Cadde, 07190  
Döşemealtı, Antalya, Türkiye  
Tel: +90 242 249 17 17  
Fax: +90 242 249 17 27

**İstanbul Ofis | Istanbul Office**

Kısıklı Mh. Alemdağ Cad. No: 36  
34693 Çamlıca, İstanbul, Türkiye  
Tel : +90 216 344 82 48  
Fax : +90 216 316 82 48