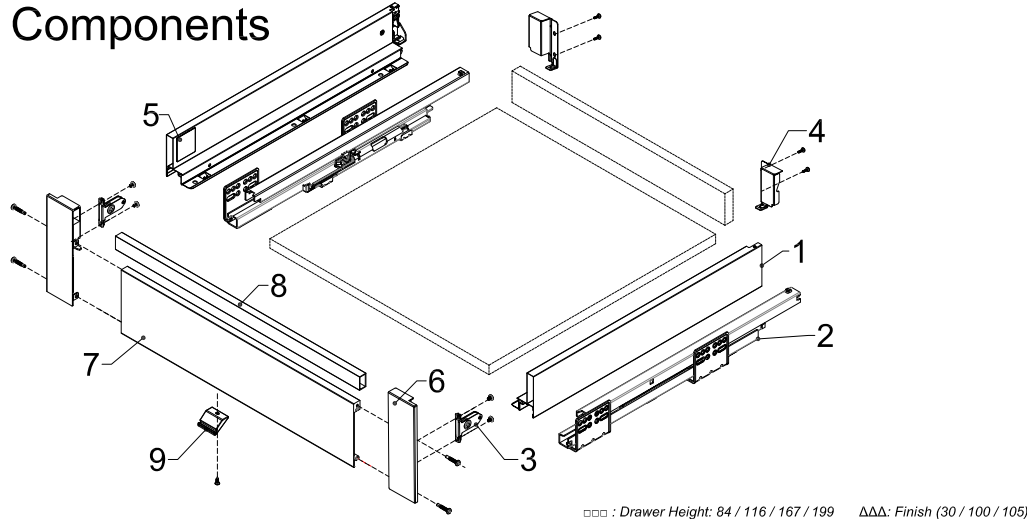




AXIAL Inner Drawer

Components

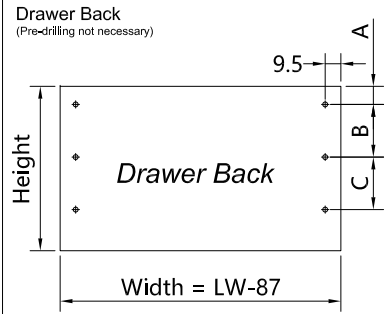


□□□ : Drawer Height: 84 / 116 / 167 / 199 ΔΔΔ: Finish (30 / 100 / 105)

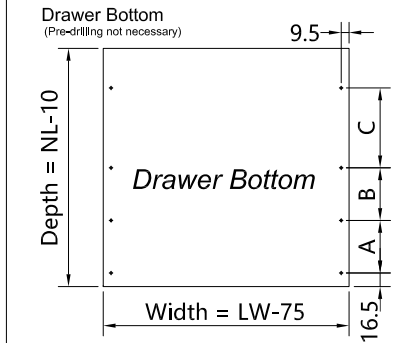
- 1. AXIAL Drawer Sides
- 2. Slides
- 3. Front Fixing Brackets (screw-fixing)
- 4. Rear Brackets
- 5. Side Cover Caps
- 6. Inner Front Connectors (screws Included)
- 7. Alu Front Panel (#AXL01F for H84/167/199; #AXL02F for H116)
- 8. Alu Front Rail (for H116/167/199 only)
- 9. Bottom Fixing Bracket (for wide drawer)

Item No.	Drawer Nominal Length (NL)	Min. Internal Cabinet Depth (LT)
AXL□□□250ΔΔΔ	250	253
AXL□□□300ΔΔΔ	300	303
AXL□□□350ΔΔΔ	350	353
AXL□□□400ΔΔΔ	400	403
AXL□□□450ΔΔΔ	450	453
AXL□□□500ΔΔΔ	500	503
AXL□□□550ΔΔΔ	550	553
AXL□□□600ΔΔΔ	600	603

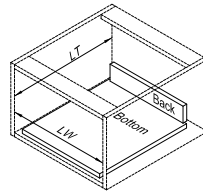
Drawer Back & Drawer Bottom Dimensions - 16mm panel



Drawer Model	84	116	167	199
Back Width	LW - 87			
Back Height	68	100	151	183
A	20	20	11	20
B	32	32	64	64
C	n/a	32	64	64

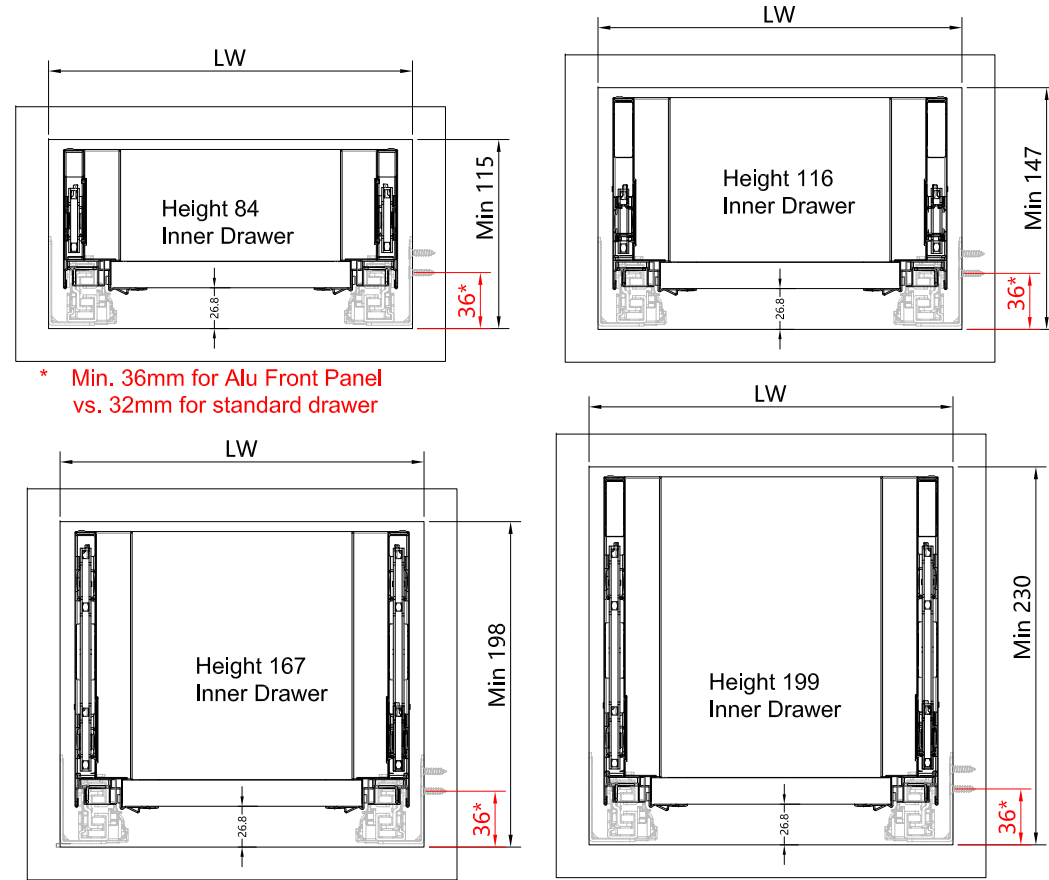


NL	250	300	350	400	450	500	550	600
Width	LW - 75							
Depth	NL - 10							
A	161	211	128	160	192	128	160	192
B	n/a	n/a	133	151	169	128	160	160
C	n/a	n/a	n/a	n/a	n/a	155	141	159

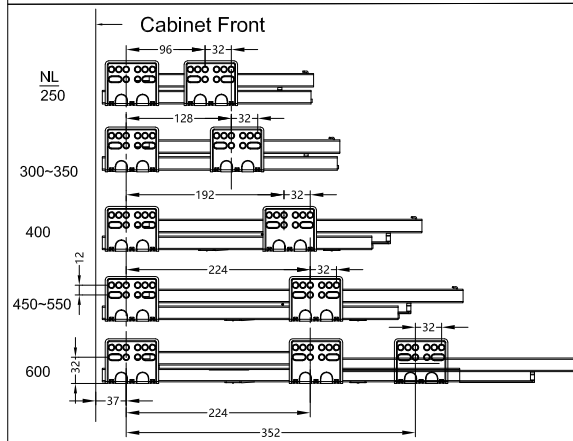


NL: Nominal length
LT: Internal cab. depth
LW: Internal cab. width

Installation Dimensions (mm)

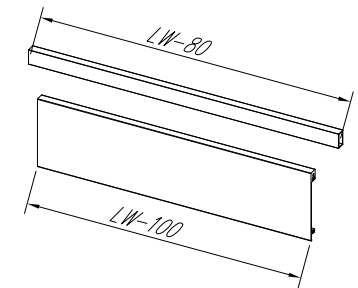


Slides Mounting (mm)



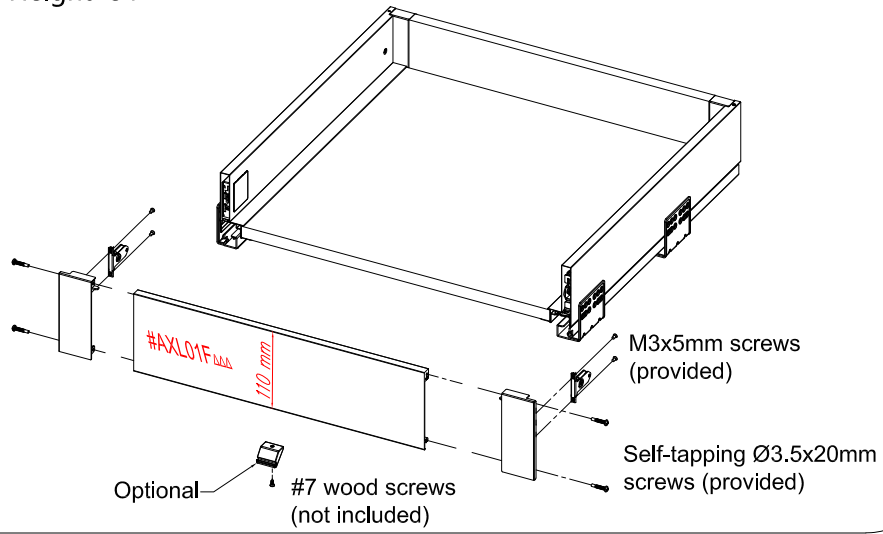
Alu. Front Panel & Front Rail (mm)

Front Rail width = LW-80
Front Panel width = LW-100

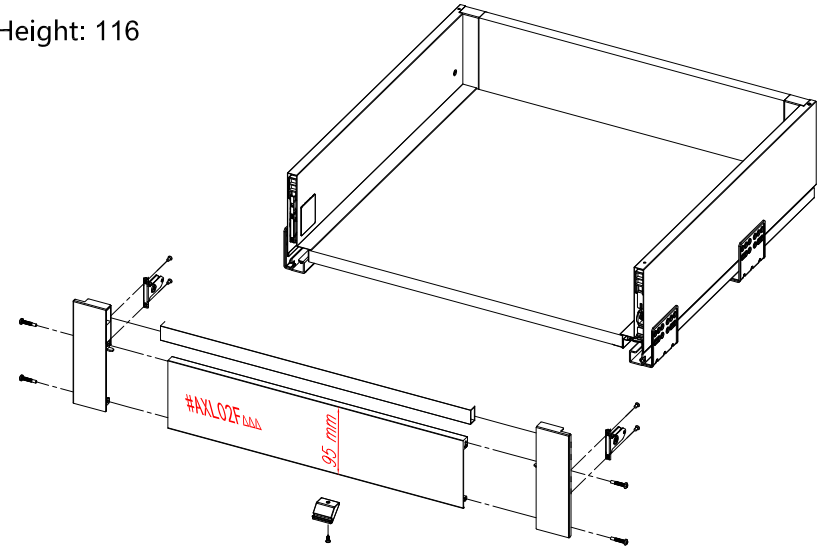


Inner Drawer Assembly

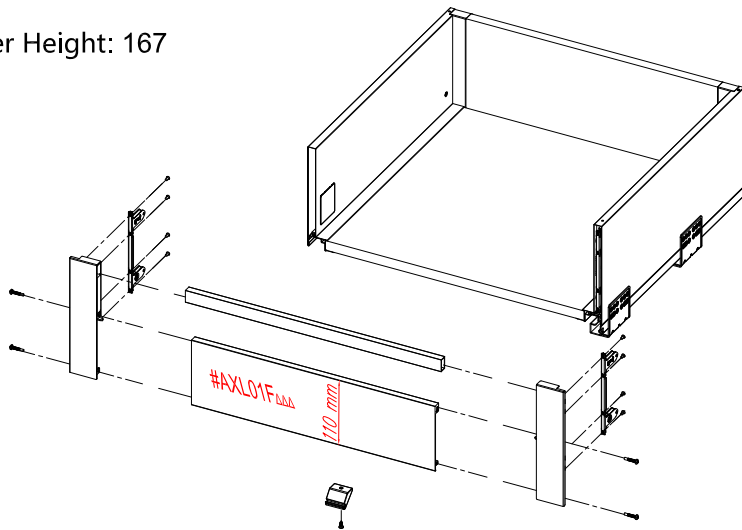
Drawer Height: 84



Drawer Height: 116



Drawer Height: 167



Drawer Height: 199

