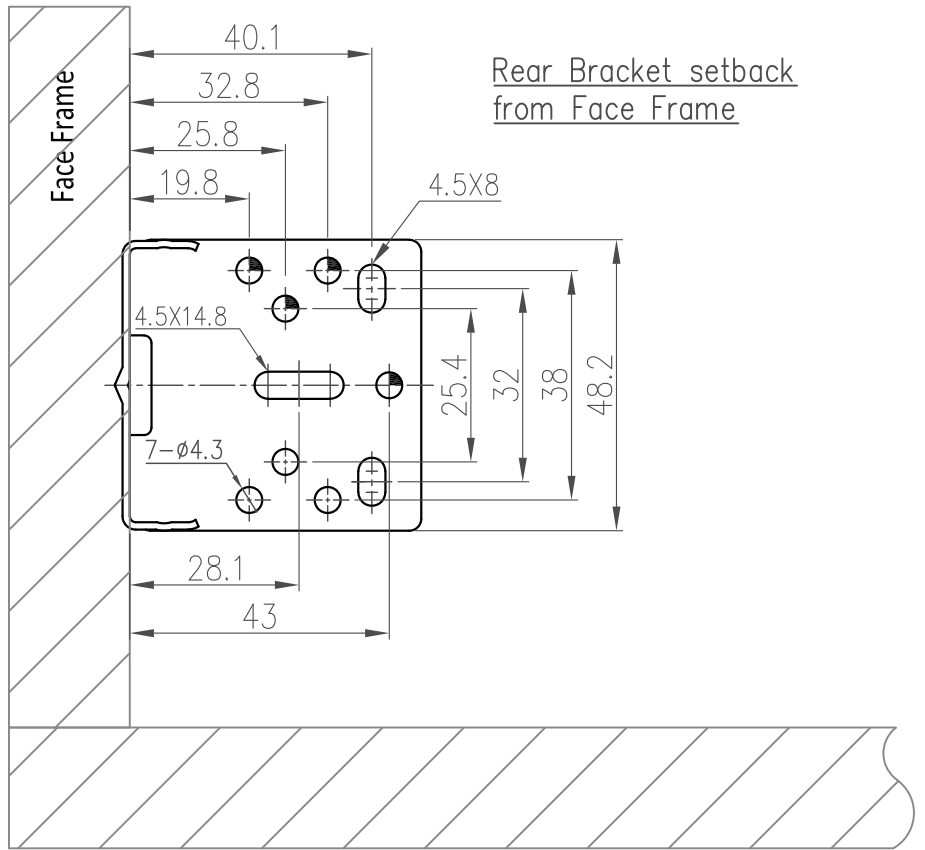
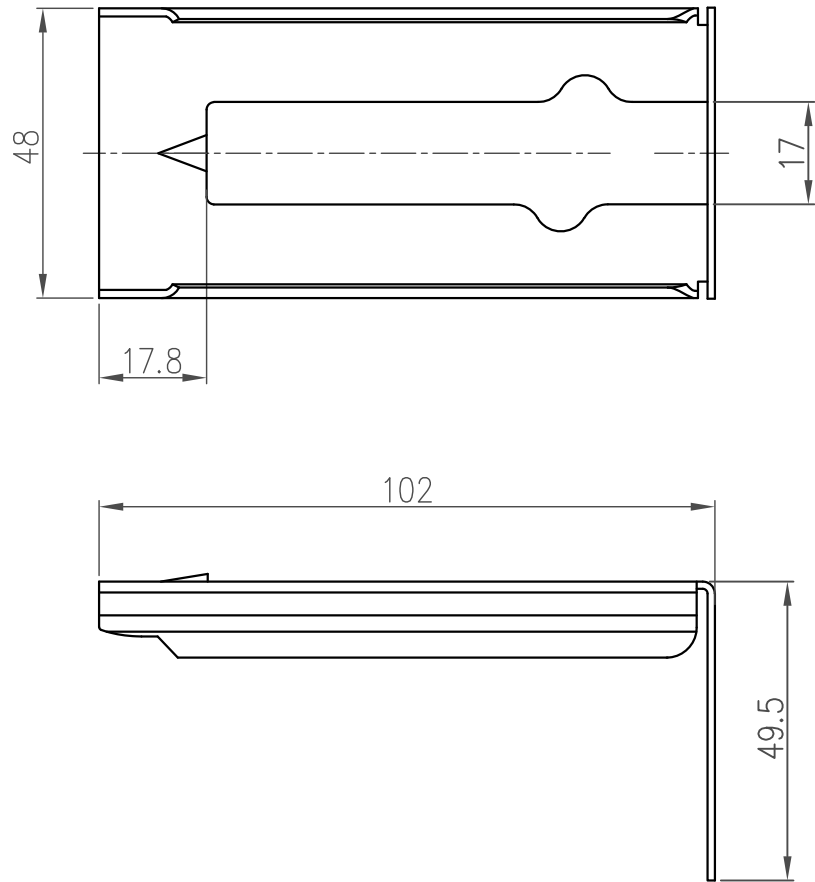


DATE	DESCRIPTION
	REVISION



UNFINISHED TOLERANCE			RICHELEU HARDWARE			
DIMENSION	LINEAR	ANGLE	XPERT STEEL FF REAR BRACKET # 45XP2G0001			
X						
X.0						
X.00						
MATERIAL		DESIGNED	DATE	2023.10.24	Unit:	SCALE
FINISH		APPROVED	DATE		mm	