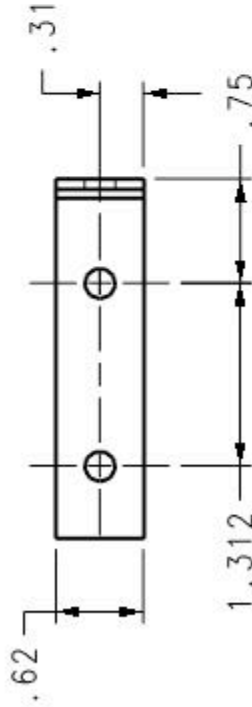
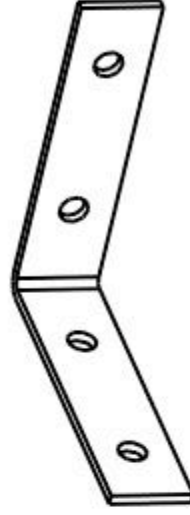
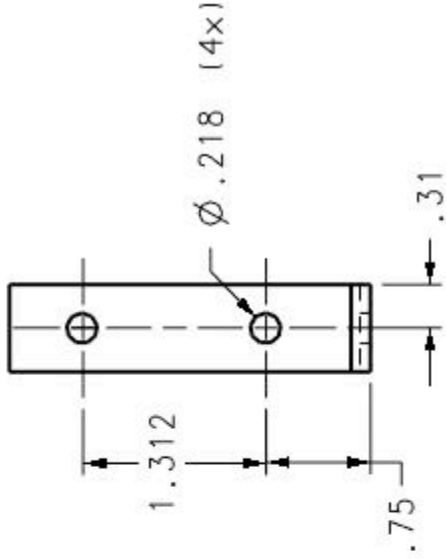
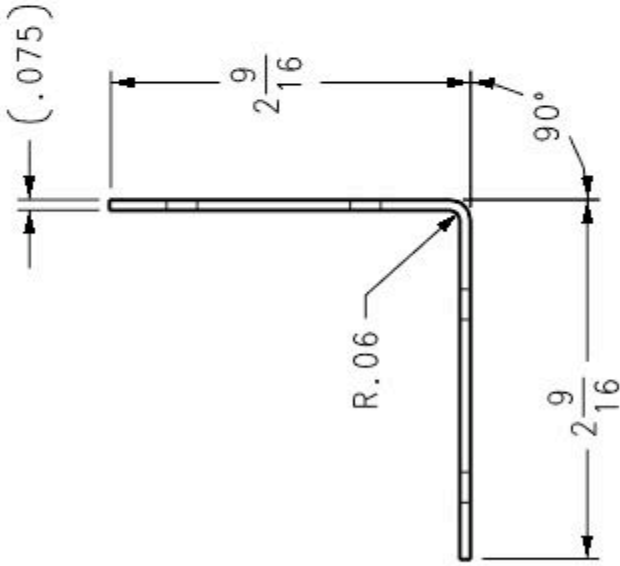


DRAWING MADE IN THIRD ANGLE PROJECTION



JACOB HOLTZ CO.

2424 E. York Street
Philadelphia, PA 19125

Phone #215-423-2800 - Fax #215-634-7454



TOLERANCES UNLESS OTHERWISE SPECIFIED

.XXX	.XX	DRAWN BY	D. Y.	DESCRIPTION
DECIMAL	±.005 ±.020	DATE	3-30-05	-
FRACTION	±1/16	MAT'L	14Ga. CRS	PART NO. CB-25-14
ANGLE	±1	FINISH	None	CATALOG NO. -

INITIAL RELEASE	7/31/05	DATE
REVISION RECORD		
LTR		

All information in this drawing / document is the exclusive property of Jacob Holtz Company and is disclosed with the understanding it will be retained in confidence and will neither be duplicated nor copied in whole or in part nor used for any purpose other than that for which disclosed. It may not be used to manufacture parts without Jacob Holtz Company written consent. - This material is to be returned on demand.