

These instructions cover the preparation of the **CS Frameless Glass Clamp System**. Fit glass to the clamp system by following the instructions below then refer to the installation instructions for the track you have purchased.

1 Fitting the glass

Ensure glass clamp gaskets (supplied by CS) are in place on both sides of the clamp assembly as shown. The M8 bolts have been lubricated in preparation for the torque tightening.

Loosen off the M8 x 30mm (1-3/16") countersunk machine bolts enough to slide glass into position so that the top edge of the glass is in the clamp. You may need to loosen the machine screws holding the mounting plate in place to do this.

Check notch position before hanging glass:

The wide notches on the clamp spacers must be orientated as shown to suit 10mm (3/8") glass. Clamp spacers must be in line with bolts.

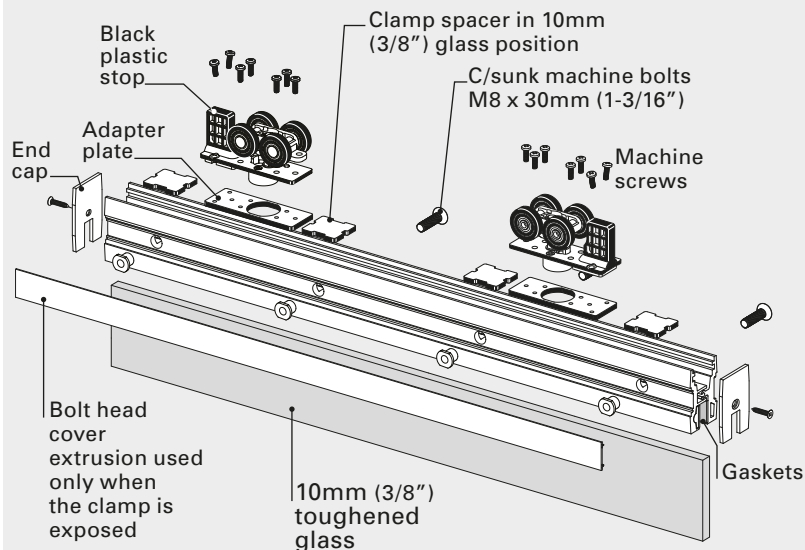
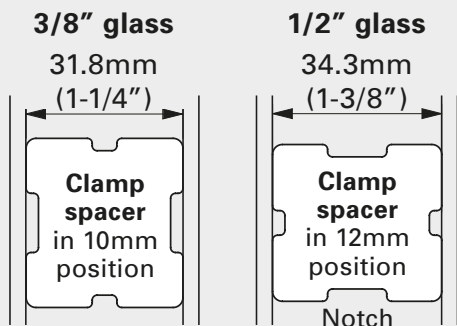
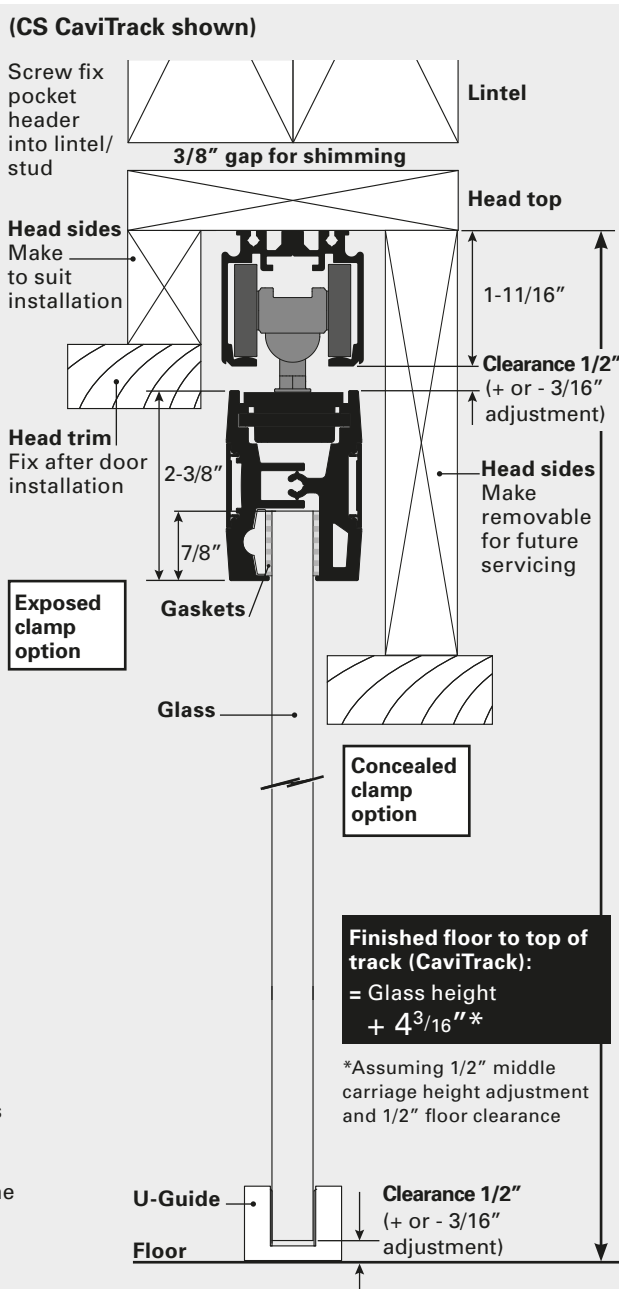
Once in place, tighten the bolts off using a torque wrench to 27Nm.

Re-tighten mounting plate screws.

Fit end cap(s) and bolt head cover extrusion if required. These may be required for aesthetic purposes when Full-Height detail option is chosen. Use a mallet and block of wood when fitting bolt head cover extrusions to avoid denting the extrusion.

2 Suggested assembly detail

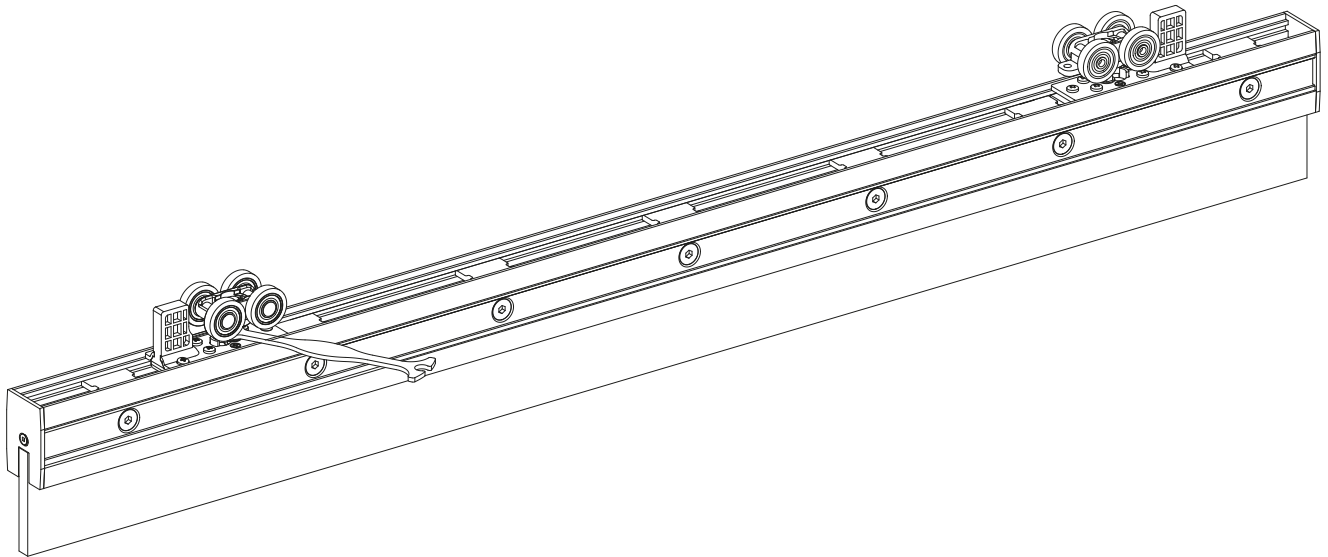
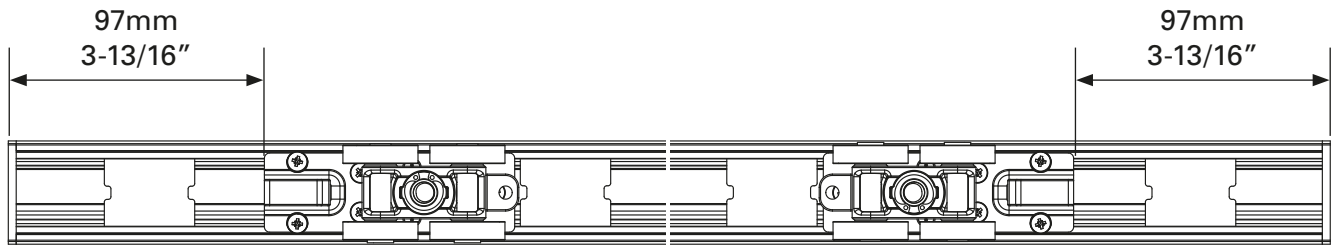
Install and adjust your door as per the track installation instructions.



3 Mounting plate positioning

Front mounting plate

Rear mounting plate



© All copyright and other property in this document is reserved by Cavity Sliders USA Inc. Details and specifications are subject to change without notice. Whilst all care is taken to ensure the accuracy of all information, no responsibility will be accepted for any errors or omissions. Patent Pending. 11.2019 - 61177/2