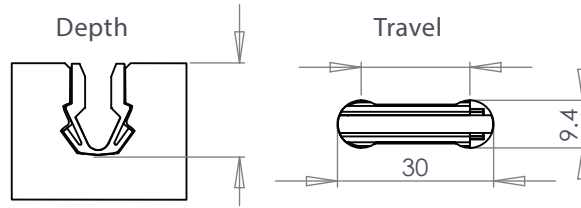
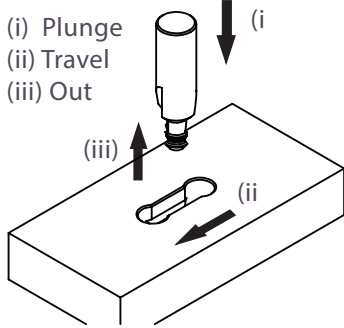


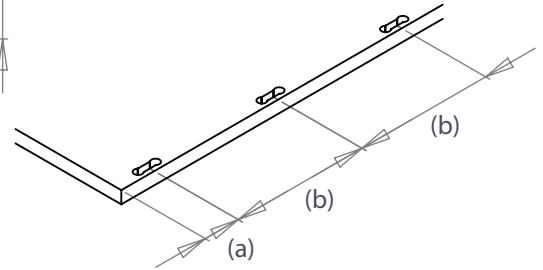
V-1230 Permanent Instructions



1. Milling



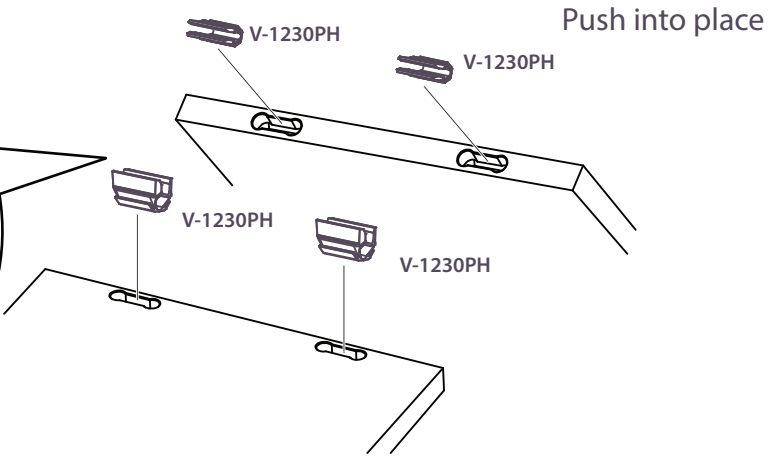
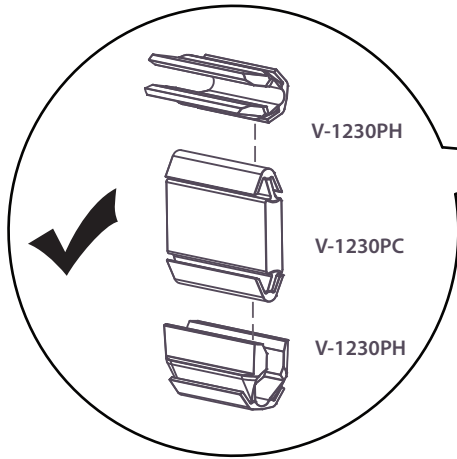
Recommended Spacing
(a): 35mm to 80mm
(b): 150mm to 350mm



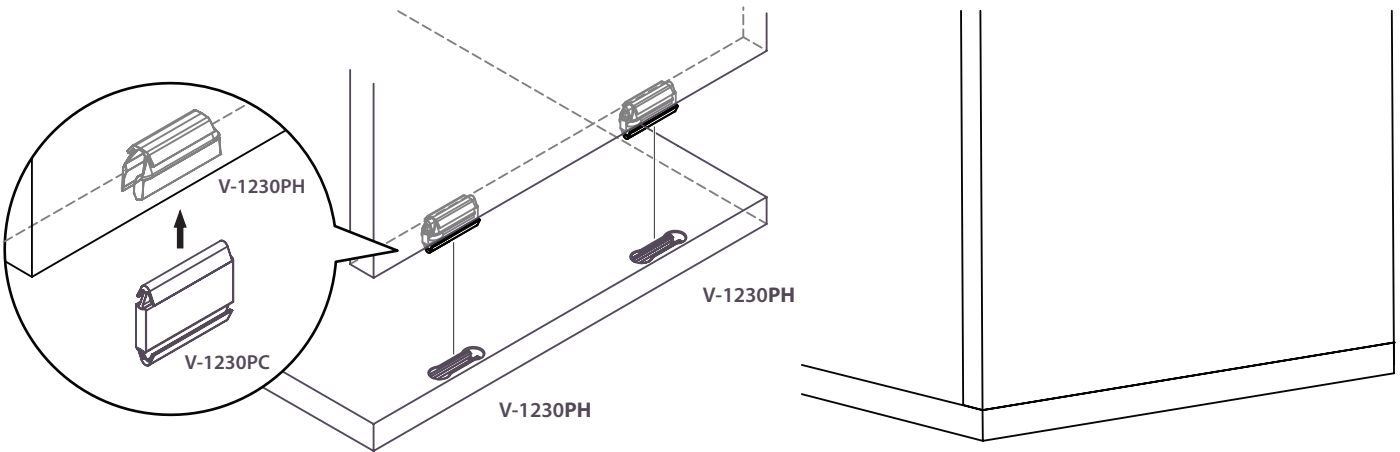
Recommended Settings

Depth: 12.5mm, +/- 0.5mm
Travel Centre to Centre: 20.5mm (min) - 20.7mm
Rotation Speed: CNC speeds vary with different materials. Maximum cutter rotation: 18,000

2. Housing



3. Assembly - Simply push into place to connect



How it works

