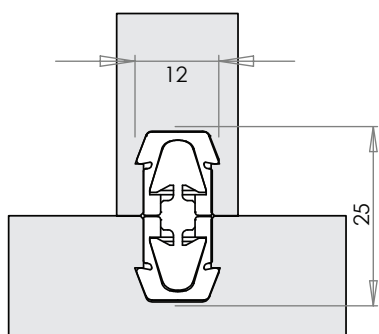
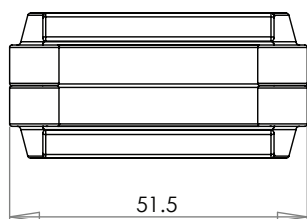
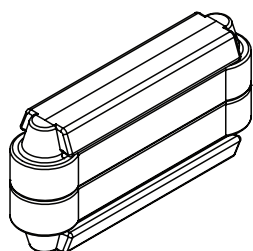


OVVO® Connection System

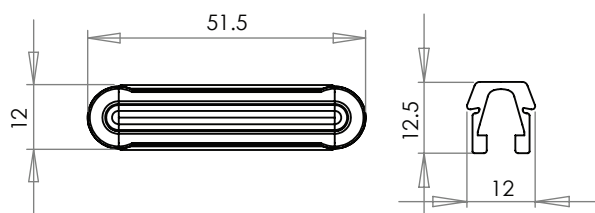
1240 Permanent Specifications



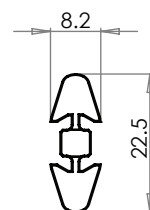
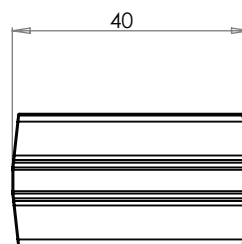
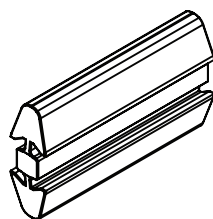
1240 Permanent



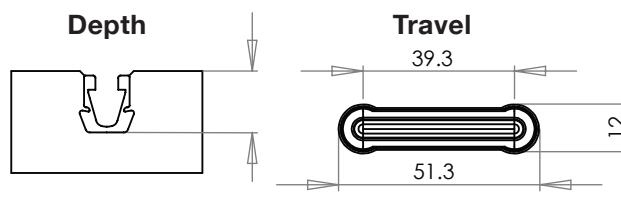
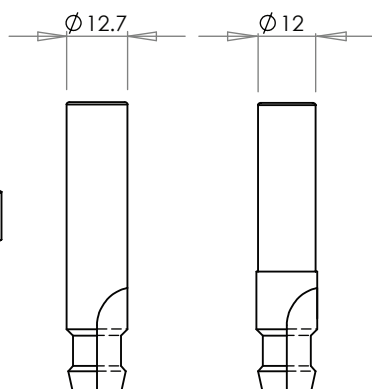
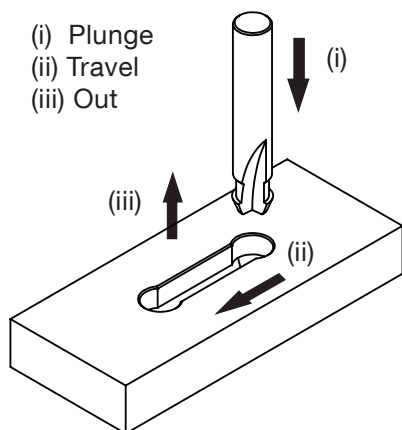
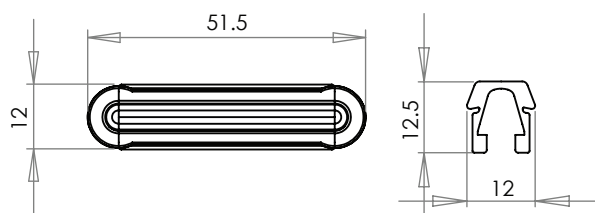
1240PH



1240PC



1240PH



Depth Tolerances: 12.9mm, +/- 0.5mm
Travel (Centre to Centre): 39.3mm
Out to Out: 51.3mm

*CNC speeds vary with different materials.
 Maximum cutter rotation: 18,000*