



*Brushed Stainless Steel
(4818228SSI)*



*Flat Black
(4818228SSBI)*

Product Description

The 4818228SS series Exterior Hinge is the perfect blend of strength and durability needed for exterior doors even in extreme weather conditions. Made from 100% stainless steel leaves, pin, caps and bearings, it offers magnificent resistance to rust and corrosion. The two fully stainless-steel ball-bearings reduce the friction and make opening heavy doors simple and smooth. The knurled ends of the pin and the cap prevent the pin from rising over time for a long lasting and silent operation.



Specifications

Material:

- Stainless steel (304): leaves, pins and caps
- Stainless steel (430): balls and ball racers

Application

- Exterior

Type:

- Heavy-duty combination mortise-hinge (frame-leaf: rounded / door-leaf: square)

Size:

- Width (open leaf): 4" (101.6 mm)
- Height: 4" (101.6 mm)
- Radius: 5/8" (15.9 mm)
- Gap: 1/8" (3.2 mm)
- Leaf thickness: .098" (2.5 mm)

Features:

- Load Capacity: 100 lb (45.4 kg) per 3 hinges
- Ball bearings (2)
- Mounting hole pattern: Zig-Zag ("W")
- Wood screws (included, 8 per hinge)
- Packaging: case with 100 hinges

Options:

- Removable pin
- Non-removable pin (NRP)
- Assembled (Left-handed / Right-handed)
- Non-assembled (KDS)

Finishes:

- Brushed Stainless Steel (US32D / C32D)
- Flat Black (US19 / C19 / 514)

Item Number	Pin	Assembly	Finish
4818228SSIPL	Removable	Left-Handed	Brushed Stainless Steel
4818228SSIPR	Removable	Right-Handed	Brushed Stainless Steel
4818228SSKDS	Removable	Unassembled	Brushed Stainless Steel
4818228SSNRPIPL	Non-removable	Left-Handed	Brushed Stainless Steel
4818228SSNRPIPR	Non-removable	Right-Handed	Brushed Stainless Steel
4818228SSNRPKDS	Non-removable	Unassembled	Brushed Stainless Steel
4818228SSBIPL	Removable	Left-Handed	Flat Black
4818228SSBIPR	Removable	Right-Handed	Flat Black
4818228SSBKDS	Removable	Unassembled	Flat Black
4818228SSBNPIPL	Non-removable	Left-Handed	Flat Black
4818228SSBNPIPR	Non-removable	Right-Handed	Flat Black
4818228SSBNPKDS	Non-removable	Unassembled	Flat Black

*Pin with
knurled end*

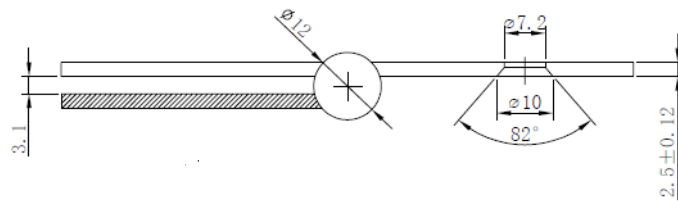
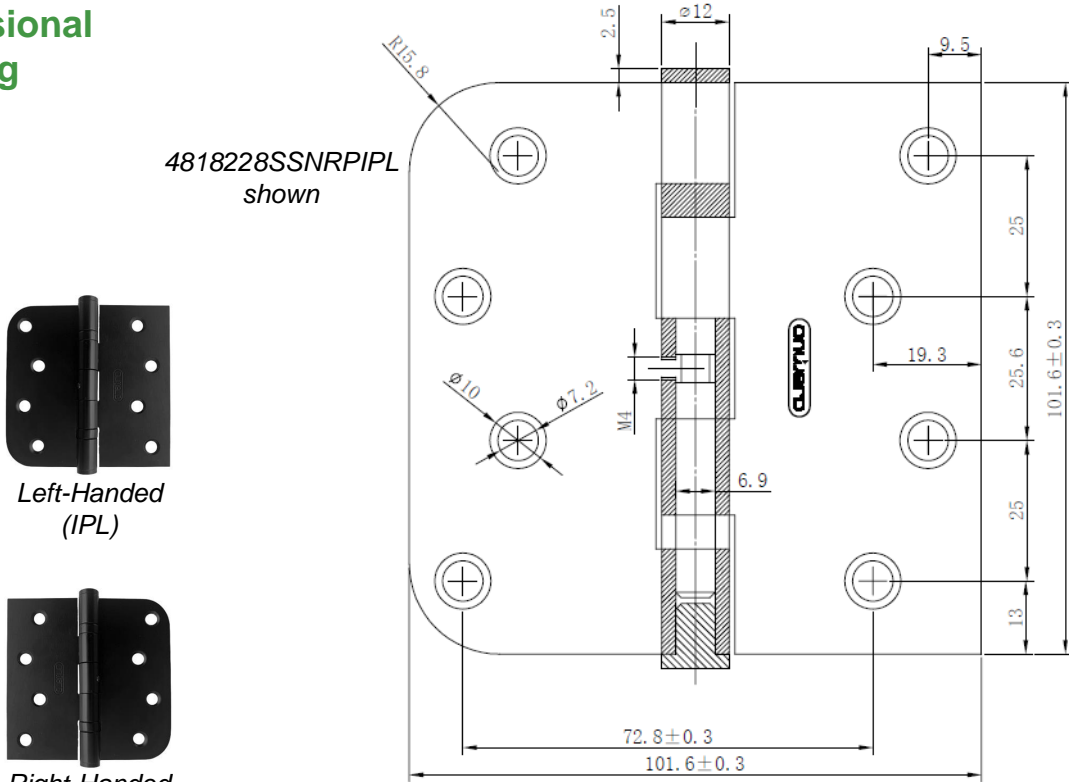


Wood screws

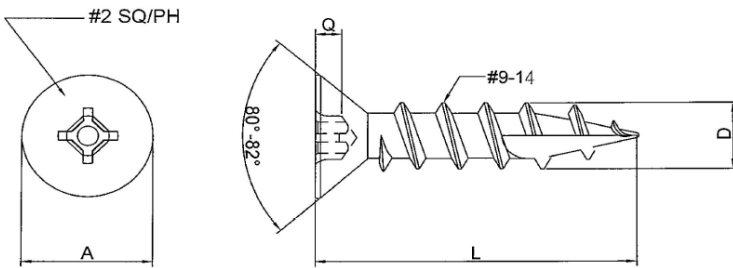


*Cap with
knurled stem*

Dimensional Drawing



Screws



	A	Q	D
SIZE	HEAD DIA	RECESS DEPTH	MAJOR DIA
#9	0.316-0.358	0.060-0.075	0.170-0.181

L (SCREW LENGTH)
0.750 +0/-0.03
1.125 +0/-0.03

Packaging

Each package contains:

- 100 hinges
- 1 bag of 400 wood screws #9 x 3/4"
- 1 bag of 400 wood screws #9 x 1-1/8"

Non-Removable Pin models also include:

- 100 set screws
- 10 Allen-keys (for removing set screws)

Each hinge comes with:

- 4 wood screws #9 x 3/4", flat-head, Quadrex drive, coarse full-thread, type-17 self tapping tip
- 4 wood screws #9 x 1-1/8", flat-head, Quadrex drive, coarse full-thread, type-17 self tapping tip